

NEW!

Universal Mount LED Edge-LIT Exit S900 Series

PIVOTING DESIGN FOR SIMPLE
INSTALLATION IN ANY APPLICATION



• WALL, CEILING, SLOPED CEILING OR RECESSED MOUNTING IN SINGLE OR DOUBLE FACE CONFIGURATIONS

S900 SERIES

UNIVERSAL MOUNT LED EDGE-LIT EXIT

The S900 Series Universal Mount LED Edge-LIT Exit provides superior brightness and uniformity with a service life in excess of 25 years. SR option is truly universal, includes kits for surface and recessed installation. It's completely universal canopy provides for side, ceiling or wall mounting.

FEATURES

- Pivoting design for simple installation in any application, including wall, ceiling, sloped ceilings or recessed mounting in single or double face configurations
- Truly universal ("-SR") model includes surface mounting canopy as well as back box for recessed mounting applications
- Extruded aluminum housing with high grade acrylic panel
- Mirror background supplied as standard on all double-face signs
- Compact, low profile design
- Field applicable chevrons provided
- 120/277VAC operation
- Low energy consumption
- Low voltage disconnect
- Optional G2 Self-Test/Self-Diagnostics available
- E.T.L. listed 90 minute emergency run-time, 24 hour recharge time

ENERGY EFFICIENT

High output red or green LEDs provide superior brightness and uniformity with a service life in excess of 25 years. Energy consumption of less than 3 watts for AC only or less than 5 watts for battery back-up units.

INSTALLATION

Surface Mounting: Completely universal canopy provides for side, ceiling or wall mounting. All hardware is included.

Recessed Mounting: Recessed ceiling or wall mount, accessible above the plenum. Electronics and battery contained in housing. Plug-in battery connector supplied for easy installation. Hardware provided.

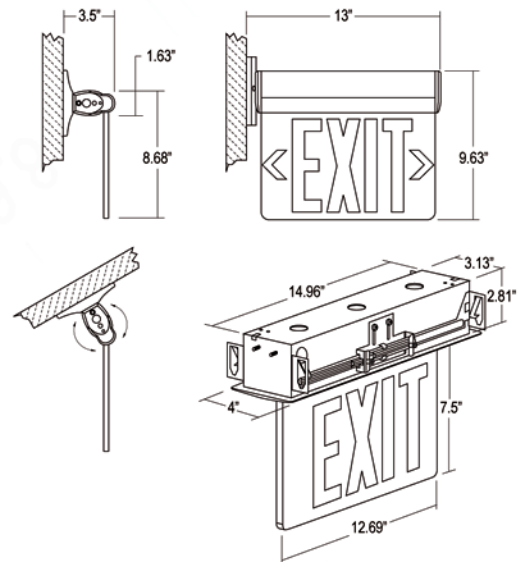


HOUSING

Surface Mounting: Engineering grade aluminum extruded housing available in satin and white finishes.

Recessed Mounting: Extruded aluminum housing supplied with galvanized steel adjustable bar hanger assembly.

DIMENSIONS



ORDERING INFORMATION

SERIES	POWER SOURCE	MOUNTING	PANEL COLOR	HOUSING FINISH	OPTIONS
S902 = Single	LB = AC Only	S = Surface	Single Face	BA = Brushed Aluminum	G2 = Self-Test/Self-Diagnostics
S903 = Double	WB = With Battery	SR = Universal (Includes Kits For Surface & Recessed installation)	RC = Red Letters Clear Panel GC = Green Letters Clear Panel Double Face	WH = White	
			RM = Red Letters Mirror Panel GM = Green Letters Mirror Panel		



1911 W. Parkside Lane Phoenix, AZ 85027
(623) 580-3948 (800) 533-3948 Fax: (623) 587-4899
www.barronlftg.com