

# RECESSED EMERGENCY UNIT



**EXITRONIX**  
emergency lighting

[barrontg.com](http://barrontg.com)

Fully recessed low profile  
steel housing.  
New York City approved.

**2** ADJUSTABLE  
HIGH IMPACT  
LED LAMP HEADS

# RM2

## Recessed Emergency Lighting Unit

The RM2 Series is an ideal solution for applications requiring a recessed ceiling emergency light that maintains a traditional aesthetic. Combined with a rugged steel housing, long-life LED lamp heads and reliable electronics, this fully recessed emergency unit is ideal for use in restaurants, office buildings and public locations requiring a low-profile design.

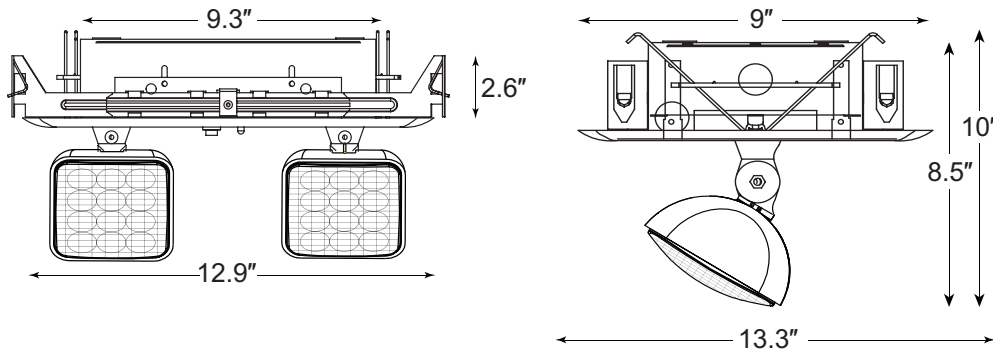


### Key Features

- Fully recessed low profile steel housing
- Two adjustable, high-impact LED lamp heads
- Recessed ceiling mount, hanger bars included
- New York City approved
- UL 924 Listed



### Dimensions



### Ordering Information

Series	Description	Accessories <sup>1</sup> (Field Installed)
RM2-BL	Two 1 Watt LED Lamps, 6 Volt Sealed Lead Calcium Battery - Black Finish	WG-90 = Wire Guard (Back Mount)
RM2-WH	Two 1 Watt LED Lamps, 6 Volt Sealed Lead Calcium Battery - White Finish	XG-PS = Poly Guard (Back Mount)

#### Notes

<sup>1</sup> Order as separate line item



800.533.3948 | barrontg.com

MKT-LIT-RM2 10840299 09/18