

The XES-3 Emergency Lighting Control Device allows local switch control of designated emergency luminaires when emergency power is provided by a generator or inverter. The XES-3 senses the loss of normal AC power and bypasses the local switch device allowing emergency power directly to the fixture regardless of switch position. The XES-3 is rated for any lamp load up to 3 amps continuous power including LED loads per NEMA 410 standards. The XES-3 is an ideal solution for achieving increased energy savings in accordance with most energy efficiency standards by eliminating the need to operate the designated emergency fixtures 24/7 when emergency power is sourced from a generator or inverter. Dimming ballasts require one XES-3 for each hot lead.

TECHNICAL SPECIFICATIONS

Input Voltage:	120/277V, 60Hz
Input Current:	250mA
Maximum Switching Voltage:	3 Amps @ 120V 3 Amps @ 277V
Circuit Protection:	3A on Control Input 3A on Neutral and 120/277V Outputs
Emergency Operation:	The ETS allows operation of any lamp type in the designated fixture for the duration of the auxiliary supply
Initial Illumination:	The ETS allows operation of the designated load at full light output
Weight:	1.0 lbs
Operating Temperature Range:	0°C – 50°C

FEATURES

- Shunts local switch devices in the emergency mode allowing for full lumen output
- Rated for LED loads up to 3 amps continuous per NEMA 410 standards
- Galvanized steel case
- Dual Voltage 120/277V 60hz
- Available in flex or non-flex configuration
- Rated for use in plenum fixtures
- Meets or exceeds all NEC, IBC, and Life Safety
- Code Emergency Lighting Requirements
- RoHS Compliant
- Optional 24" flex conduit available (XES-3-FC)

CASE DIMENSIONS

Length	8"
Width	1.18"
Height	1.15"
Mounting Center	7.5"

WARRANTY

The Exitronix XES-3 is warranted for five (5) years from date of purchase. The warranty does not cover physical damage, abuse or instances of uncontrollable natural forces. See the full Exitronix warranty document for detailed information.

Model: _____ Date: _____
Accessories: _____
Job Name: _____ Type: _____



LOADS OPERATED

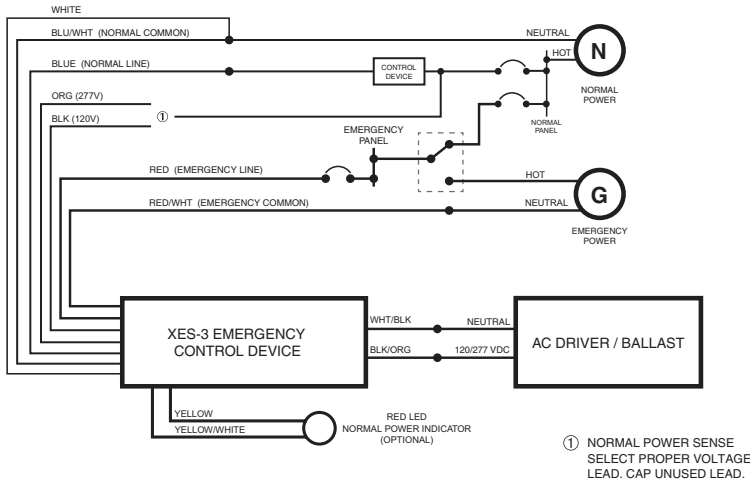
Allows full light output operation of any LED, fluorescent, or incandescent switched fixture from the generator or inverter supply up to 3 amps continuous.

PRODUCT ADVANTAGES

- Regain local switch control of your designated emergency fixtures powered from a generator or inverter
- Promotes energy savings by eliminating the need for always-on fixtures
- Full light output
- Compatible with LED loads up to 3 amps continuous in accordance with NEMA 410

WIRING DIAGRAM

TYPICAL BALLAST/GENERATOR APPLICATION



TYPICAL DIMMING BALLAST/GENERATOR APPLICATION

