

The all new Exitronix Tempo Pro family of LED emergency exit luminaires provide a more complete, compact, powerful light offering with a higher performance than most currently on the market.

FEATURES

- Ultra compact, injection-molded UL94 5VA flame rated thermoplastic housing
- Universal style includes 2 face plates, back plate and mounting canopy and can be ceiling, wall or end mounted
- Optional red or green LEDs with color matched lens for exit
- Standard 1 watt high power LED lamps
- Ultra bright 6000K SMD LEDs
- Fully adjustable lamps for top, side and forward, or back light distribution
- Tool-less design allows for fast and easy installation
- Optional Guardian Self-Test/ Self-Diagnostics (G2) available
- Remote option provides 4 watts of remote capability for use with RL52 or RL1-WP Series Remotes
- UL 924 and cUL certified
- 120/277VAC, 60Hz
- Universal mounting; top, back, side
- Field selectable directional chevrons included for all configurations
- Main-free NiCad or NiMH battery depending on configuration
- Standard finishes: Black or White
- Suitable for damp locations

WARRANTY

Any component that fails due to manufacturer's defect is guaranteed for 3 years with a separate 3 year pro-rated warranty on the battery. The warranty does not cover physical damage, abuse or acts of God. See the full Exitronix warranty document for detailed information.

Model: _____ Date: _____
 Accessories: _____
 Job Name: _____ Type: _____



ORDERING INFORMATION Example: VLEDC-51-WH-G2

Series	Finish	Options (Factory Installed)	Accessories ¹ (Field Installed)
VLEDC-51 = Red	WH = White	G2 = Self-Test/Self-Diagnostics	WG-1 = Wire Guard (Back Mount)
GVLEDC-51 = Green	BL = Black	R4 ² = Remote Capable (4 watts)	XG-1 = Polycarbonate Guard (Back Mount)

Notes

¹ Order as separate line item

² R4 option supplied with NiMH battery

CONSTRUCTION

Precision molded unit and lamp housings constructed of UL 94V-0 flame retardant, corrosion resistant thermoplastic. Maintains compact size in packaging; lamps are packaged inside the exit housing and easily snap in place for use. Units resist denting, peeling, scratching and corrosion. Tool-less access and snap-together design provided for easy maintenance.

ILLUMINATION

Exit is backlit with optically true red or green LEDs with color matched lens providing bright even illumination. Two fully adjustable, attractive lamp heads allow for maximum light to be delivered to the path of egress. Lamps can be set into a top or side mount position as well as front or back for maximized directional light for egress path. Fixtures are supplied with high powered SMD 1W LED lamps providing 150 total lumens, in a pure white color temperature of 6000K. The LEDs have an estimated life over 50,000 hours with normal use. The high performance LEDs offer up to 25 foot on center spacing.

ELECTRICAL

Input

Dual-voltage input 120 or 277VAC @ 60Hz.

Nickel Cadmium Battery (NiCad)

Nickel cadmium batteries are maintenance-free with a life expectancy of 15 years. Nickel cadmium batteries offer high discharge rates and continue to perform in a vast temperature range from 0°C to 40°C (32°F to 104°F).

Nickel Metal Hydride Battery (NiMH) Standard with R4 option

Nickel metal hydride batteries are maintenance-free with a life expectancy of 15 years. NiMH batteries perform optimally in temperatures ranging from 0°C to 40°C (32°F to 104°F). NiMH batteries are more environmentally-friendly than traditional NiCad or lead acid alternatives as they contain no cadmium or lead.

Emergency

The VLEDC-51 will operate for a minimum of 90 minutes during a loss of power with a 24 hour maximum recharge time for the battery.

Remote Capable (Option: R4)

The R4 option provides an additional 4 watts of remote capability. For use with RL52 / 2RL52 remote lamps.

Solid-State Transfer

The unit features a solid-state switching transistor which eliminates damaged contacts or mechanical failures associated with relays. The switching circuit is designed to detect a loss of AC power and automatically energizes the lamps. Upon restoration of the AC voltage, the emergency lamps will switch off and the charger will automatically recharge the battery.

Test Button

Our test button is easy to locate and allows for manual verification of proper operation of the transfer circuit and emergency lamps.

INSTALLATION

A universal J-box mounting pattern and rear keyhole slots are provided for wall mounting.

Guardian Self-Test/Self-Diagnostics (Option: G2)

The Guardian circuit continuously monitors the operating condition of the AC power, battery supply voltage, emergency lamp continuity and charging circuit.

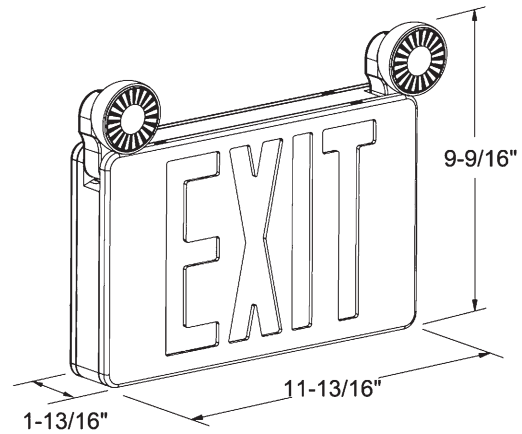
The purpose of this option is to provide visual signaling in response to a fault. If a failure is detected, visual status will occur immediately via the CHARGER LED and/or the BATTERY FAULT LED. The LEDs will stay illuminated until the fault is corrected.

The Guardian circuit monitors the transfer circuit and performs automatic code compliant testing. The Guardian circuit will perform a 30 second discharge and self-test every 28-30 days and a 90 minute discharge and self-test every 6 months.

CONFORMANCE TO CODES & STANDARDS

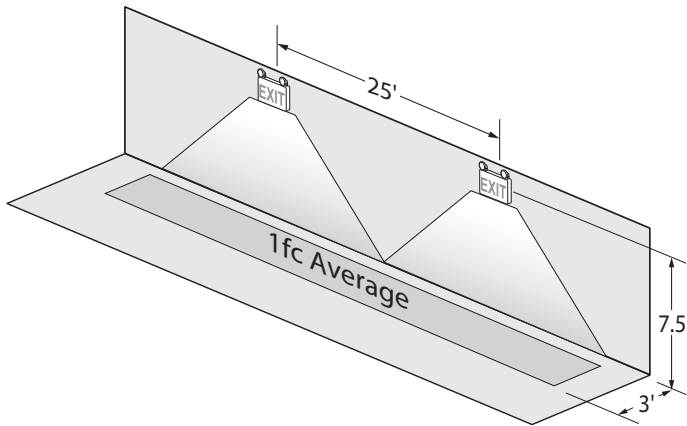
The VLEDC-51 Series is UL listed and meets or exceeds the following: UL 924, cUL, NEC requirements and NFPA 101.

DIMENSIONS



SAMPLE PHOTOMETRICS

Using multiple units mounted at a typical 7.5" foot height delivers 25 foot on center spacing with a 3 foot wide path of egress.



Using multiple units mounted at a typical 7.5" foot height delivers 23 foot on center spacing with a 6 foot wide path of egress.

