

The steel LL Series combines performance and dependability into a rugged 20 gauge enclosure. Available in a wide variety of battery wattages and lamp styles to complement any application.

FEATURES

- Enclosure constructed of rugged 20 gauge steel
- Available in 6 or 12 volt with wattages ranging from 18-150 watts with knockouts for side mounted heads allowing for up to 4 lamp heads per unit
- Charge rate/power "ON" LED indicator light with test button
- AC lockout for ease of installation and installer protection
- Low voltage disconnect eliminates deep discharge
- Brown-out, short circuit and voltage surge protection
- Maintenance-free lead acid battery
- UL listed 90 minute emergency run time
- Optional Guardian Self-Test/ Self-Diagnostics (G2) available
- Optional Time Delay (TD) available
- Standard finishes: Black or White
- 120/277V dual primary, 60Hz input
- Assembled in U.S.A.

Model: _____ Date: _____
 Accessories: _____
 Job Name: _____ Type: _____



WARRANTY

Any component that fails due to manufacturer's defect is guaranteed for 5 years with a separate 5 year pro-rated warranty on the battery. The warranty does not cover physical damage, abuse or acts of God. See the full Exitronix warranty document for detailed information.



ORDERING INFORMATION Example: LL6-27-T06H12-2-W-G2

Series	Wattage	Lamp Heads ¹	# Of Lamp Heads	Finish	Options (Factory Installed)
LL6 = 6 Volt	6 Volt	6 or 12 Volt Renegade LED	0 = No Lamps	W = White	220V ² = 220VAC, 50HZ
LL12 = 12 Volt	18 = 18 Watts	REN1 = 3.6W PAR 18 LED	2 = 2 Lamp Heads	B = Black	G2 = Self-Test/Self-Diagnostics
	27 = 27 Watts	REN2 = 3.6W PAR 36 LED	4 = 4 Lamp Heads		LC = 3' Line Cord
	54 = 54 Watts	6 Volt Tungsten Wedge Base			TD ³ = Time Delay 120/277VAC
	12 Volt	T0609 = 9 Watt			
	54 = 54 Watts	6 Volt Halogen			
	100 = 100 Watts	T06H12 = 12 Watt			
	150 = 150 Watts	R06H20 = 20 Watt			
		12 Volt Tungsten Wedge Base			
		T1209 = 9 Watt			
		T1212 = 12 Watt			
		T1218 = 18 Watt			
		12 Volt Sealed Beam Halogen			
		R12H08 = 8 Watt			
		R12H12 = 12 Watt			

Notes	Accessories ⁴ (Field Installed)
¹ Alternate lamp heads available, see Remote Lamp Heads spec sheet or consult factory	WG-6 = Wire Guard, 18-54W (Back Mount)
² Only available on 6V and 12V units up to 54 watts	WG-7 = Wire Guard, 100/150W (Back Mount)
³ Not available with G2 option	XG-6 = Poly Guard, 18-54W (Back Mount)
⁴ Order as separate line item	XG-EL90 = Poly Guard, 100/150W (Back Mount)

CONSTRUCTION

The LL6 and LL12 series are die-formed 20 gauge steel housings with epoxy powder coat finish. White finish is standard. Universal J-box mounting pattern and keyhole slots provided for simple installation. Knockouts are provided on top, back, and sides for easy wire entry. Can also be shelf mounted – ordered separately.

ILLUMINATION

Fully adjustable, attractive lamp heads allow for maximum light to be delivered to the path of egress. Up to 4 lamp heads may be installed on each emergency unit. The LL6 and LL12 series are RENEGADE compatible – 3.6W LED per head (REN2 heads).

ELECTRICAL

Input

Dual-voltage input 120 or 277VAC @ 60Hz.

Sealed Lead Acid Battery – SLA

Exitronix sealed lead acid batteries are maintenance-free with a life expectancy of 5 years. Sealed lead acid batteries provide a relatively large power-to-weight ratio making them ideal for emergency applications. Lead Acid batteries perform optimally in temperatures ranging from 59°F - 104°F (15°C - 40°C).

Emergency

The LL6 and LL12 series will operate for 90 minutes during a loss of power with a 24 hour maximum recharge time for the battery.

Brownout Circuit

Brownout circuit monitors the line voltage, as the line voltage sags and can no longer provide adequate voltage the emergency lighting circuit will turn on to supply power to the emergency lamps for 90 minutes until line voltage is restored.

Low Voltage Disconnect

Low Voltage Disconnect (LVD) measures the battery terminal voltage. The LVD continuously monitors the battery terminal voltage and if it should fall below a preset voltage threshold, the LVD will disconnect the load. When the battery is recharging and voltage is raised above another preset voltage threshold, the load is automatically reconnected.

Overload and Short-Circuit Protection

The overload monitoring system is a solid state circuit which monitors the lamp load and disconnects from the battery shall an overload or short circuit occur. The overload current protection eliminates the need for fuses or circuit breakers for the DC load.

Test Button

The test button is easy to locate and provides manual verification of the transfer circuit and emergency lamps.

INSTALLATION

A universal mounting pattern and rear keyhole slots are provided for wall mounting.

Assembled in the U.S.A. (Standard)

Assembled in the U.S.A. and is in full compliance with the American Recovery and Reinvestment Act of 2009 (ARRA) requirements and Buy American provisions.

Guardian Self-Test/Self-Diagnostics (Option: G2)

The purpose of this option is to provide self-testing and self-diagnostic capabilities to the unit equipment. At predetermined intervals, the unit equipment will automatically switch into battery mode. The unit equipment will also perform various self-diagnostic tests of the unit. Visual signaling will alert maintenance personnel to a fault of the unit equipment electronics, emergency lamp(s), battery and/or battery charger. The circuitry continuously monitors the operating condition of the unit equipment and battery charging circuit/battery supply voltage.

Self Test Features

- The unit equipment will automatically switch to battery mode every 28 days for a period of 1 minutes.
- The unit equipment will automatically switch to battery mode every 6 months for a period of 30 minutes.

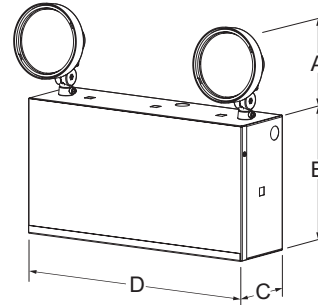
Time Delay (Option:TD)

The purpose of this feature is to allow additional time for “normally on” fixtures to return to full brightness prior to extinguishing the supplemental light from the emergency fixtures.

CONFORMANCE TO CODES & STANDARDS

The LL6 and LL12 Series are UL listed and meets or exceeds the following: UL 924, NEC requirements and NFPA 101.

DIMENSIONS



	18-27W	54W	100W	150W
A	6.00"	6.00"	6.00"	6.00"
B	5.25"	8.00"	8.50"	8.50"
C	2.89"	2.94"	4.55"	4.55"
D	11.62"	13.29"	13.29"	16.09"