

# MC Series

10" LED Canopy

**Compact, Slim Profile**

**Up to 4,845lm, 42w | Low Glare Optic**

**DLC Premium Maximizes Utility Rebates**



# MC Series

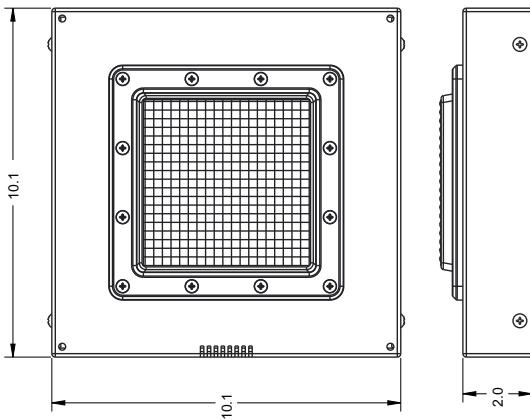
## 10" LED Canopy

Trace\*Lite's LED canopy family is expanding with the new 10" MC canopy. The MC is designed to set a new standard for all canopy applications with its lowest possible power consumption, low profile and low glare design. The specially engineered polymethyl methacrylate (PMMA) UV stabilized lens optimizes visual comfort without sacrificing lighting efficacy.

### Key Features

- 10" square canopy with precision die-formed aluminum housing
- 0-10V dimming driver
- DesignLights Consortium® (DLC) qualified
- Lumen maintenance L70 at 190,000 hours
- Base plate easily attaches to a 3" or 4" J-Box
- 12" square transition plate (Accessory: MC-TR), for retrofitting 12" square canopies

### Dimensions



### Applications

The MC Series applications include libraries, pharmacy drive through, parking garages, schools, truck stop sites, and other applications that utilize a traditional HID or fluorescent canopy with heights up to 20'.

### Specs At A Glance

Wattage (w)	42W
Lumens (lm)	4,845
Efficacy (LPW)	115
CCT	4000K
CRI	76
Optics	Low Glare, Type V
Input Voltage	120 - 277VAC Voltage Sensing
Ambient Temp	-40°C to 40°C (-40°F to 104°F)
Certifications	ETL Listed for Wet Locations, DLC
Warranty	5 Years

### Ordering Information

Example: MC-10-VS-4K-LG-WW

Series	Wattage	Input Voltage	CCT	Optics	Finish
MC	10 = 10 LEDs, 42w	VS = 120~277VAC Voltage Sensing	4K = 4000K	LG = Low Glare	WW = White

Notes	Accessories <sup>1</sup> (Field Installed)
<sup>1</sup> Order as separate line item. Shipped in separate box for final installation in field.	MC-TR = 12" Transition Plate

Please visit our website for the latest information.

10840182 11/16

