

**DESCRIPTION**

**Construction:**

The TLED804 series combines the efficacy and longevity of an LED light engine, with the functional design and rugged durability of a vapor-tight luminaire. Sturdy die-cast aluminum housing and globe guard makes the TLED804 a very durable and energy saving alternative to vapor-tight luminaires with traditional light sources. The TLED804 has a grey powder coated finish, is fully gasketed and suitable for Wet Locations. Available with a 19.4 watt light engine that produces 670 initial delivered lumens, the TLED804 can be used on a wide spectrum of applications including walkways, industrial facilities, stairwells, elevator shafts and many other locations.

**SPECIFICATIONS**

**Electrical:**

The LED light engine and driver are securely mounted directly to the finned aluminum heat sink and the die cast aluminum housing, respectively, optimizing thermal management. LEDLITE/logic heat sinking technology moves heat away from the LEDs maximizing system performance and delivering 50,000+ hour life with >70% lumen maintenance. The TLED804 series operates from 120-277VAC 50/60Hz with an auto-ranging voltage sensing circuit and simple two (2) wire input. The TLED804 is suitable for operation in -22°F to 104°F (-30°C to 40°C) ambient conditions.

**Thermal Management:**

LED light engine modules are each mounted directly to the LEDLITE/logic thermal heat sink. This configuration optimizes the thermal dissipation for each group of LEDs which makes possible the high efficacy, lumen output and longevity of the TLED804.

**Environmentally Friendly Design:**

The TLED804 luminaires consume very little energy and provides a long life in comparison to traditional lamp technologies. The TLED804 consumes only 19.4 watts, but the light output can conservatively be compared to a 75 watt incandescent luminaire of similar design. Our manufacturing process utilizes no harmful chemicals and the LED light engines emit extremely low UV and minimal heat. The compact design allows for the use of fewer materials and is recyclable, resulting in less overall waste.

**Installation:**

The TLED804 is available in wall mount or ceiling/pendant mount styles. A weatherproof junction box with four (4) 1/2" NPT hubs is integral to both configurations. An opal glass globe reduces glare and a cast aluminum guard protects the globe.

**Testing & Compliance:**

The reliability and performance of the TLED804 is evaluated in accordance with the parameters outlined and reported by LM-79 and LM-80 documents. Photometric data is tested to IESNA LM-79-08 standard by an independent testing laboratory. Lumen maintenance, or L70, a measure of long term reliability, is determined for the light source, which consists of the LED and PSB sub-assembly as installed in the luminaire, using LM-80 in-situ thermal and reliability data as provided by the LED manufacturer in accordance with DOE/EPA standards

**Warranty:**

Any component that fails due to manufacturer's defect is guaranteed for 5 years. The warranty does not cover physical damage, abuse or acts of God. Manufacturer reserves the right to charge for such repairs if deemed necessary.

Model: \_\_\_\_\_ Date: \_\_\_\_\_  
 Accessories: \_\_\_\_\_  
 Job Name: \_\_\_\_\_ Type: \_\_\_\_\_



TLED804-20-VS-1B



TLED804-20-VS-1W



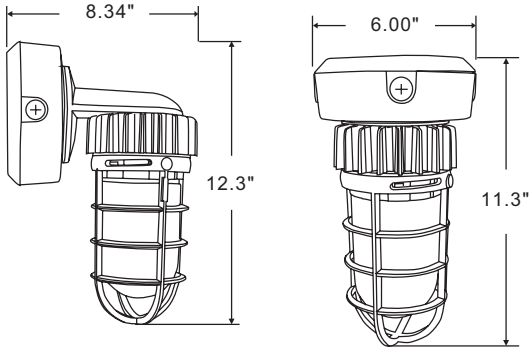
Specs at a Glance	
<b>Wattage (Nominal)</b>	19.4W
<b>Ingress Protection</b>	Suitable for Wet Locations
<b>Lumens (5000K)</b>	670
<b>Efficacy (5000K)</b>	35
<b>CCT</b>	5000K
<b>Input Voltage</b>	120-277 Voltage Sensing
<b>Optics</b>	Type II Very Short Semi Cut-Off
<b>CRI</b>	≥70
<b>Warranty</b>	5 Years
<b>Ambient Temp</b>	-22°F to 104°F (-30°C to 40°C)

### Fixture Performance

Part Number	Total System Watts	Initial Lumens	Lumens Per Watt (LPW)	L70 Hours @ 25°C	BUG Rating
TLED804-20	19.4	670	35	50,000	B0-U2-G1

NOTE: Lumen maintenance and life (part of LM-80 data) are per published information from primary LED suppliers and is based on design operation at their specified thermal management and electrical design parameters.

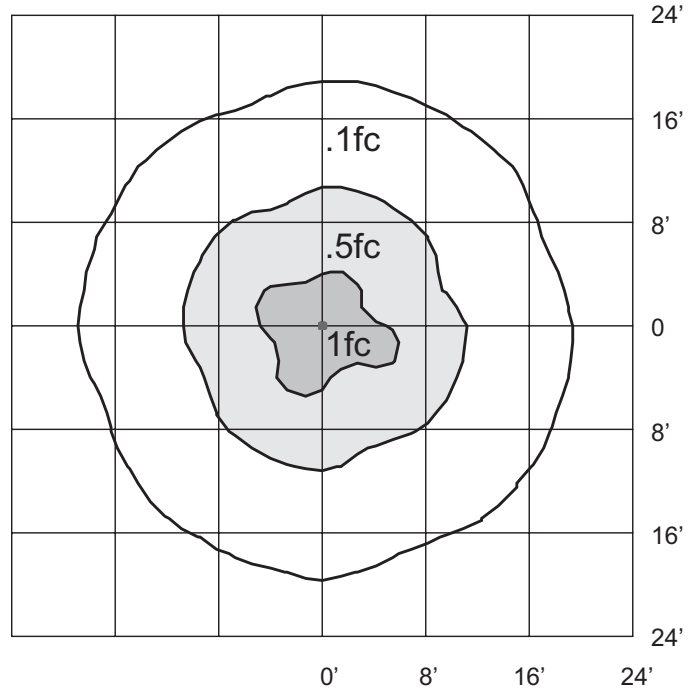
### Dimensions



Approximate Weight: Ceiling/Pendant 4lbs  
Wall 5lbs

### Sample Photometrics

TLED804-20 Mounted at 8' (Type VS Very Short Semi-Cutoff)  
Horizontal Spacing Criteria: 1.72



### Ordering Information

Example: TLED804-20-VS-1W

Series	Total Watts (Nominal)	Input Voltage	Mounting
TLED804	20 = 20 Watts	VS = 120 ~ 277VAC (Voltage Sensing)	1B = Ceiling or Pendant Mount J-Box with 1/2" Hubs 1W = Wall Mount J-Box with 1/2" Hubs