

SPECIFICATIONS

Construction:

The Trace-lite TL703-CF Series features a durable, extruded aluminum enclosure available in white, black or bronze powder coated finish. Enclosure is fully sealed and gasketed, and is Wet Location Listed for outdoor use. Enclosure and hardware are corrosion resistant. The TL703-CF is available with a choice of I.E.S. Type 3 or Type 5 prismatic, borosilicate glass refractors. The lamps and refractors are protected by a high-impact, UV stabilized polycarbonate lens.

Lamps & Ballasts

Compact Fluorescent: Lamps from 26 to 57 watts, utilizing either a GX23-2 or GX24-q3 base with a magnetic ballast rated for a minimum operating temperature of -4°C (25°F) or electronic programmed start ballast rated for a minimum operating temperature of -20°C (-4°F).

For pathway illumination, it is recommended to use 42 watt or 57 watt lamps.

Installation:

The Trace-lite TL703-CF Series features a sturdy base plate anchored with three 8" J-bolts, bollard body is anchored to base using tamper resistant hardware.

ARRA - Buy America (Option: USA):

Fixture series may be built to comply with the American Recovery and Reinvestment Act of 2009 (ARRA) requirements and Buy American provisions - call factory for details.

Listing:

The TL703-CF is CSA listed for wet locations.

Warranty:

Any housing component that fails due to manufacturer's defect is guaranteed for two years from time of shipment. Ballasts, Capacitors, and Igniters are warranted for one year from time of shipment. Warranty does not apply to damages caused by improper installation, abuse, fire or acts of God. Lamp is not covered by manufacturer's warranty.

Model: _____ Date: _____
 Accessories: _____
 Job Name: _____ Type: _____



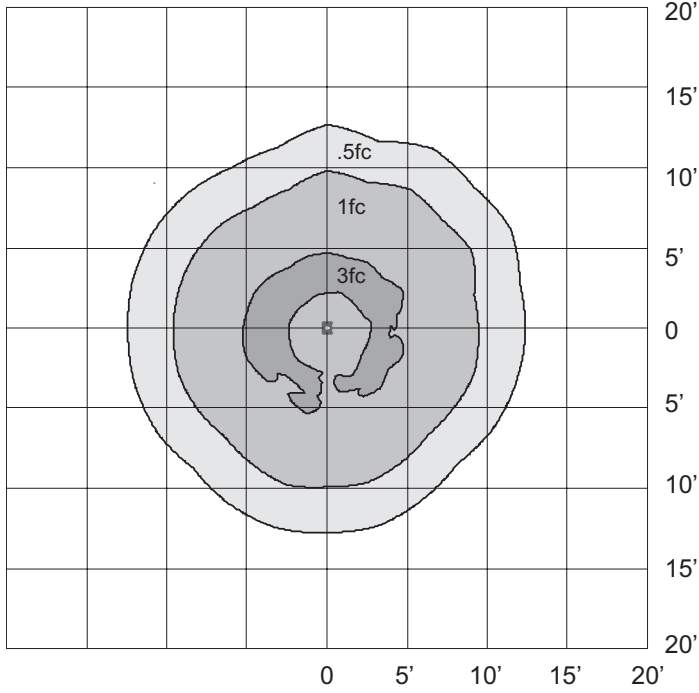
ORDERING INFORMATION

Example: TL703-CF-42-3-120/277-BL-SZ120

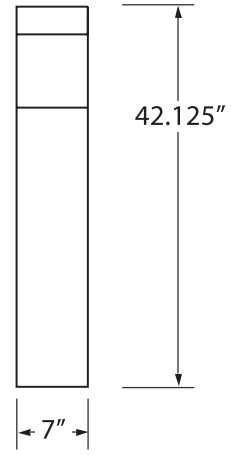
Series	Lamp	Watts ¹	Refractor	Input Voltage	Finish
TL703	CF = Compact Fluorescent	26 = 26 Watts	3 = IES Type 3 Refractor	120/277 = 120/277VAC	BLANK = Bronze
		32 = 32 Watts	5 = IES Type 5 Refractor		WH = White
		42 = 42 Watts			BL = Black
		57 = 57 Watts			
Options (Factory Installed)					
SZXXX ² = Single Line Side Fuse (Specify 120 or 277V)					
USA = Meets Buy America Requirements					
Accessories³ (Field Installed)					
MK700-4 = Replacement Mntg Kit, Brkt & 4" Anchor Bolts					
MK700-8 = Replacement Mntg Kit, Brkt & 8" Anchor Bolts (Inc. Standard)					
MK700-12 = Replacement Mntg Kit, Brkt & 12" Anchor Bolts					
MK700-15 = Replacement Mntg Kit, Brkt & 15" Anchor Bolts					
RL700 = Replacement Polycarbonate Lens					
Notes					
¹ 42 watt and 57 watt lamps are recommended for pathway illumination					
² Specify voltage					
³ Order as separate line item					

SAMPLE PHOTOMETRICS

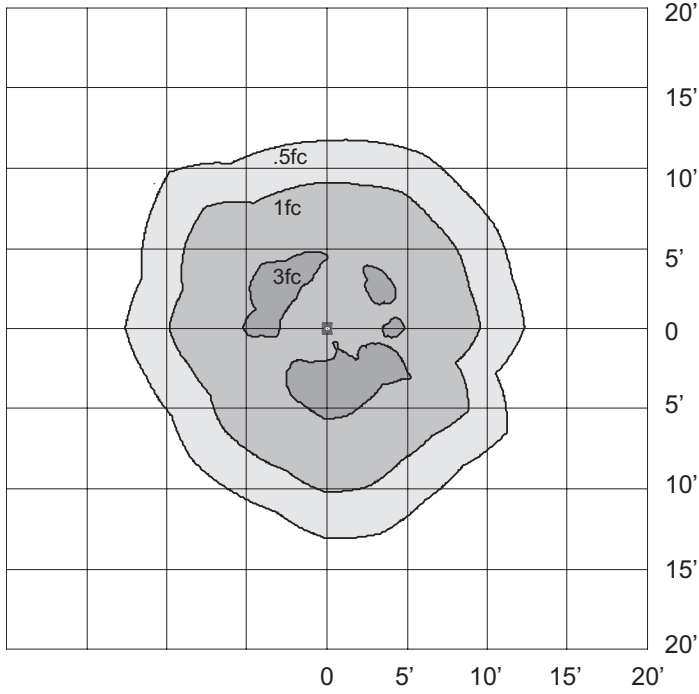
TL703-CF-42-3 IES TYPE 3 REFRACTOR



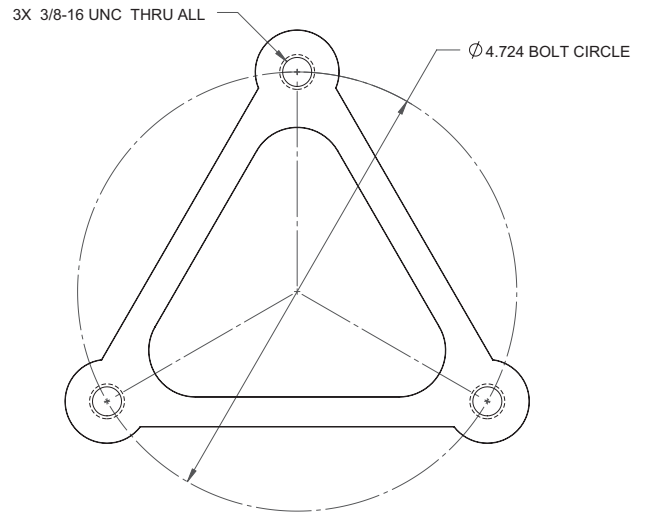
DIMENSIONS



TL703-CF-42-5 IES TYPE 5 REFRACTOR



MOUNTING TEMPLATE



Specifications are subject to change without notice.
Installation must be performed in accordance with
Barron Lighting Group installation instructions.