

**DESCRIPTION**

The Trace-lite TL408-CF Series is ideal for parking areas, entrances, walkways, underpasses, loading docks, and recreation areas.

**SPECIFICATIONS**

**Construction:**

The Trace-lite TL408-CF Series features a durable, corrosion-resistant, die-cast aluminum enclosure with an architectural bronze powder coated finish. Enclosure is listed for covered ceiling mount and includes corrosion-resistant hardware. The TL408-CF features a two-piece aluminum reflector, the upper can be removed to create an attractive uplight. The lamp(s) are protected by a UV stabilized, vandal-resistant, polycarbonate prismatic refractor.

**Lamps & Ballasts**

Compact Fluorescent: 4-Pin Triple Tube lamps from 52 to 168 watts, utilizing a GX24-q3 base with an electronic programmed start ballast rated for a minimum operating temperature of -20°C (-4°F).

**Installation:**

The Trace-lite TL408-CF Series is ideal for mounting to any horizontal surface and includes a mounting plate for easy, hands-free wiring to any standard 4" junction box.

**ARRA - Buy America (Option: USA):**

Fixture series may be built to comply with the American Recovery and Reinvestment Act of 2009 (ARRA) requirements and Buy American provisions - call factory for details.

**Battery Back-up (Option: BB):**

TRACE\*LITE's battery back-up option for compact fluorescent (CF) luminaires provides up to 750 lumens in the event of a primary power failure. The emergency back-up option includes a battery pack along with a charging/transfer device that keeps the battery pack charged during normal AC operation and transfers battery power to the compact fluorescent lamp when the device senses that the primary AC power has failed.

**Photocontrol (Accessory: PC):**

Optional field-installed photocontrol provides dusk-till-dawn security. Input voltage must be specified to match fixture input voltage.

**Listing:**

The TL408-CF is CSA listed for wet locations.

**Warranty:**

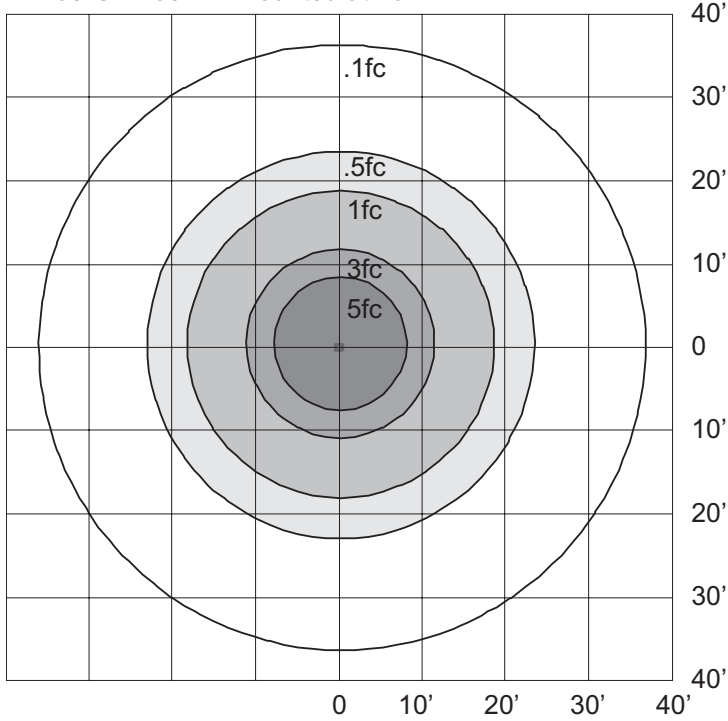
Any housing component that fails due to manufacturer's defect is guaranteed for two years from time of shipment. Ballasts, Capacitors, and Igniters are warranted for one year from time of shipment. Warranty does not apply to damages caused by improper installation, abuse, fire or acts of God. Lamp is not covered by manufacturer's warranty.

Model: \_\_\_\_\_ Date: \_\_\_\_\_  
Accessories: \_\_\_\_\_  
Job Name: \_\_\_\_\_ Type: \_\_\_\_\_

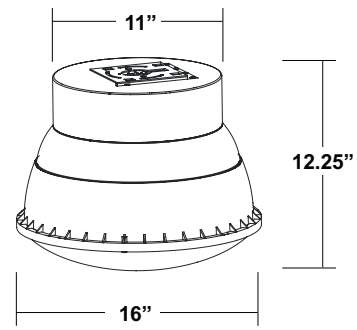


**SAMPLE PHOTOMETRICS**

TL408-CF-168-BR Mounted at 10'



**DIMENSIONS**



Approximate Weight: 17 lbs.

**ORDERING INFORMATION**

Example: TL408-CF-84-120/277-SZ277-USA

Series	Lamp Type	Lamp Wattage	Input Voltage	Options (Factory Installed)
TL408	CF = Compact Fluorescent	52 = 26 Watts x 2	120/277 = 120/277VAC	SZXXX <sup>1</sup> = Single Line Side Fuse (120 or 277VAC)
		64 = 32 Watts x 2		BB = Battery Backup
		84 = 42 Watts x 2		USA = Meets Buy America Requirements
		168 = 42 Watts x 4		
				<b>Accessories<sup>2</sup> (Field Installed)</b>
				PMJB = Offset Pendant Mount J-Box
				SWPR = Swivel Pendant Mount (Round)
				SWPS = Swivel Pendant Mount (Square)
				RL408 = Replacement Lens
<b>Notes</b>				
<sup>1</sup> Specify voltage				
<sup>2</sup> Order as separate line item				

Specifications are subject to change without notice.  
 Installation must be performed in accordance with  
 Barron Lighting Group installation instructions.  
 10810189 01/16