

Model Number:

Accessories:

Type:

Job:

Approvals:

PRODUCT SPECIFICATIONS

CONSTRUCTION

The Trace-lite TL407 Series features a durable, corrosion-resistant, die-cast aluminum enclosure with an white powder coated finish. IP65 rated enclosure is fully sealed and gasketed, and is Wet Location Listed for covered ceiling mount and includes corrosion-resistant hardware. The TL407 features an internal, anodized aluminum reflector which provides ideal light distribution, plus attractive uplighting to prevent caving. The lamp(s) are protected by UV stabilized, vandal-resistant, acrylic prismatic refractors.

LAMPS & BALLASTS

High Pressure Sodium: B17 type lamps from 70 to 150 watts, utilizing a medium base, glazed porcelain socket pulse rated for 4KV with either a R-NPF or HX-HPF type ballast rated for a minimum operating temperature of -30°C (-22°F) and Multi-tap (120/208/240/277VAC) or 480VAC input.

Metal Halide: BD17 type lamps from 70 to 100 watts, utilizing a medium base, glazed porcelain socket pulse rated for 4KV with an HX-HPF ballast rated for a minimum operating temperature of -30°C (-22°F) and Multi-tap (120/208/240/277VAC) or 480VAC input.

Pulse Start Metal Halide: BD17 type lamps from 150 to 200 watts, utilizing a medium base, glazed porcelain socket pulse rated for 4KV with a CWA ballast rated for a minimum operating temperature of -30°C (-22°F) and Multi-tap (120/208/240/277VAC) or 480VAC input.

INSTALLATION

The Trace-lite TL407 Series is ideal for mounting to any horizontal surface and includes a mounting plate for easy, hands-free wiring. An optional offset pendant mount J-Box is also available.

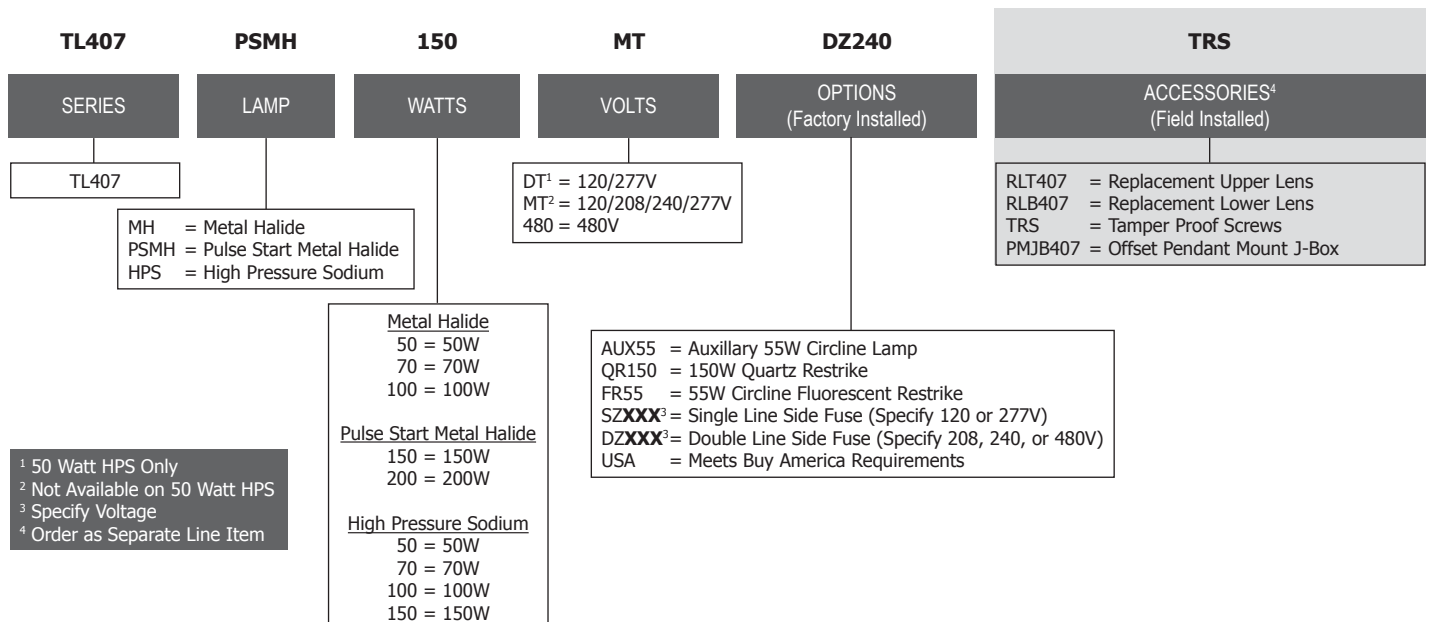
WARRANTY

Any housing component that fails due to manufacturer's defect is guaranteed for two years from time of shipment. Ballasts, Capacitors, and Ignitors are warranted for one year from time of shipment. Warranty does not apply to damages caused by improper installation, abuse, fire or acts of God. Lamp is not covered by manufacturer's warranty.

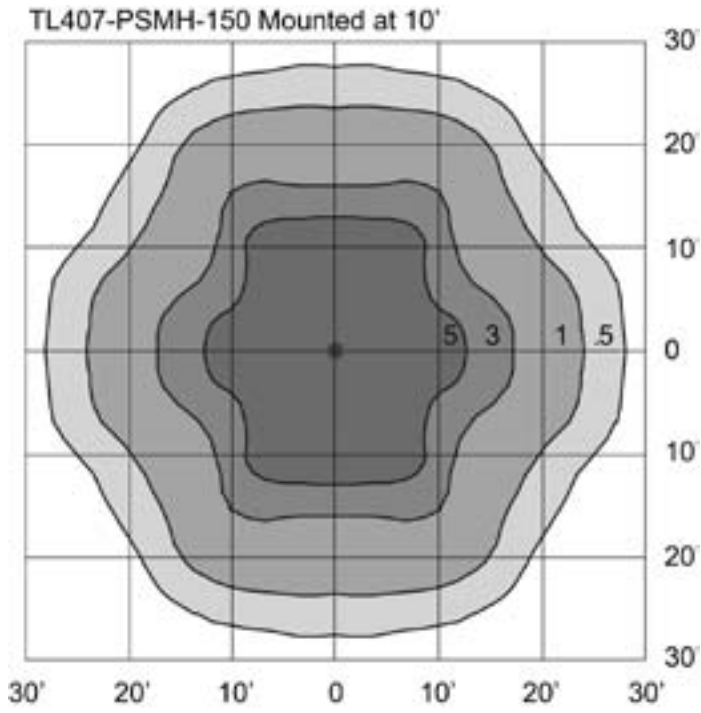


SPECIFICATIONS ARE SUBJECT
TO CHANGE WITHOUT NOTICE

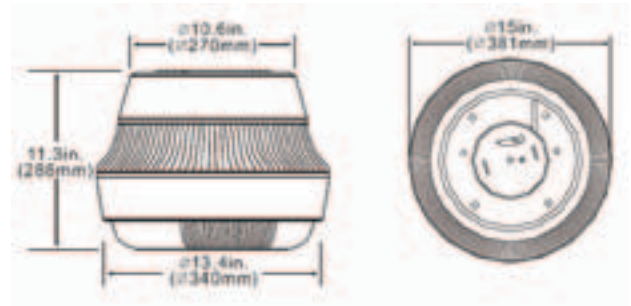
ORDERING INFORMATION



SAMPLE PHOTOMETRICS



DIMENSIONS



Approximate Weight: 17 lbs.