

DESCRIPTION

TRACE*LITE's latest generation – medium glass refractor LED wallpack features an updated LED light engine with greater efficacy, lumen output and thermal management while still maintaining the consistency of our proven traditional housing. The RGM housing is constructed of die-cast aluminum in a dark bronze finish that provides durable protection against environmental conditions, corrosion and the elements. It is UL Listed for Wet Locations. RGM's light engine is protected by a high-impact, prismatic, borosilicate glass lens and offers maximum light output for general purpose area and security lighting. This versatile luminaire is ideal to match existing or retrofit HID legacy designs.

SPECIFICATIONS

Construction:

- Precision die-cast aluminum housing with UV resistant, thermoset polyester powder coat with a dark bronze finish
- Stainless steel hardware
- Prismatic borosilicate glass refractor
- Hinged housing design for ease of installation and maintenance
- 1/2" knockout on both sides and top of unit

Optics/ LEDs:

- 30w COB LED light engine providing 3,468 lumens
- 40w COB LED light engine providing 4,710 lumens
- Standard 4000K CCT
- CRI ≥ 71

Electrical:

- Class 2 power supply, voltage sensing 120-277VAC, 50/60Hz
- Standard 0-10VDC dimming driver
- 10kVA surge protection
- L70 rated for 60,000 hours at 40°C

Installation:

- Ideal for mounting to any vertical surface and attaches to a 3" or 4" j-box
- Can be surface mounted using the 1/2" conduit entry point on both sides of the housing

Accessories:

- Field installed button type photocontrol, 120VAC or 277VAC (PC1/PC2)
- Field Installed PIR sensor, 120VAC or 277VAC (TL-MS-120/TL-MS-277)

Testing & Compliance:

- UL/cUL listed for wet locations
- DesignLights Consortium® (DLC) qualified
- Operating temperature: -20°C to 40°C (-4°F to 104°F)

Warranty:

- 5 year warranty (terms and conditions apply)

Note: Environment and application will affect actual performance. Typical values and 25°C used for testing. Specifications subject to change without notice.

Model: _____ Date: _____
 Accessories: _____
 Job Name: _____ Type: _____



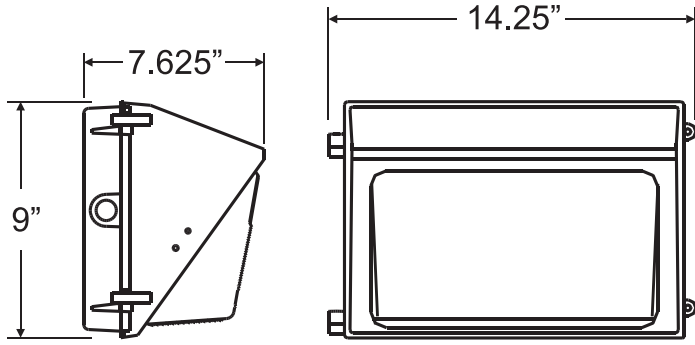
Specs At A Glance		
Wattage (w)	30	40
Lumens (lm)	3,468	4,710
Efficacy (lm/w)	124	118
Equivalency	150w HID	250w HID
CCT (K)	4000K	
CRI	≥ 71	
Input Voltage	120 - 277VAC, 50/60Hz	
Ambient Temp	-20°C to 40°C (-4°F to 104°F)	
Certifications	UL/cUL listed for wet locations, DLC	
Warranty	5 Years	

Ordering Information

Model	Description	Accessories ¹ (Field Installed)
RGM-30-VS-4K	LED Wallpack, Medium glass refractor, 30w, 120-277VAC, 4000K CCT, Bronze finish	PC1 = 120VAC Photocontrol
RGM-40-VS-4K	LED Wallpack, Medium glass refractor, 40w, 120-277VAC, 4000K CCT, Bronze finish	PC2 = 208-277VAC Photocontrol
Notes		TL-MS-120 = Outdoor PIR sensor, 120VAC, 60Hz
		TL-MS-277 = Outdoor PIR sensor, 277VAC, 60Hz

¹ Order as separate line item. Shipped in separate box for final installation in field.

Dimensions



Weight: 12.8 lbs.

Sample Photometry

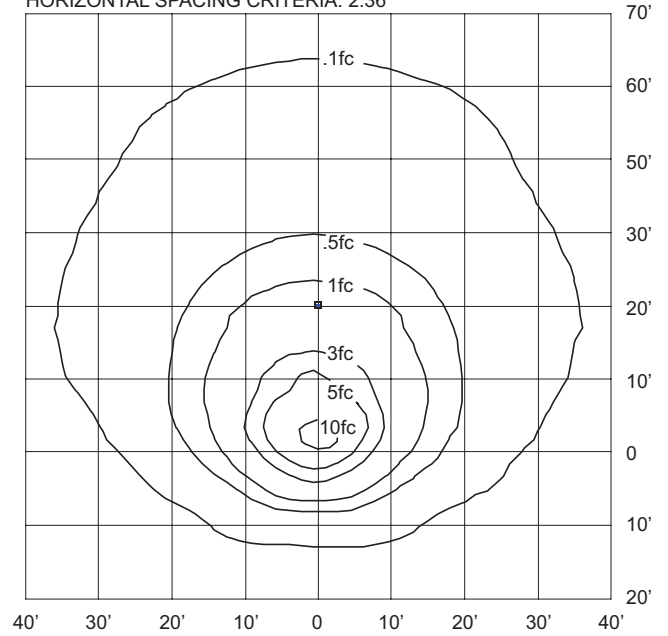
RGM-40-VS-4K

IES: TYPE IV VERY SHORT

MOUNTING HEIGHT: 10 FEET

TILT: ZERO

HORIZONTAL SPACING CRITERIA: 2.36



PIR Sensor

(TL-MS-120, TL-MS-277)



Specifications are subject to change without notice.
Installation must be performed in accordance with
Barron Lighting Group installation instructions.

10810334 05/17