

DESCRIPTION

The MRW mini refractor wallpack features a durable, vandal-resistant, injection molded dark bronze polycarbonate enclosure combined with a high performance LED light engine to make it an excellent product where energy savings, low maintenance and rugged construction are needed. The MRW is fully sealed and gasketed, and is UL Listed for Wet Locations. The 16 watt LED light engine delivers up to 1,839 lumens with an ideal light distribution. Applications include schools, office complexes, light commercial or retail buildings, apartments and recreational facilities.

SPECIFICATIONS

Construction:

- Precision molded dark bronze polycarbonate housing mounted to a die-cast aluminum base plate
- LED light engine is protected by a high impact, UV-stabilized polycarbonate prismatic refractor

Optics/ LEDs:

- 16w COB LED light engine delivers up to 1,839 lumens
- 4000K CCT or 5000K CCT
- CRI ≥ 74

Electrical:

- Class 2 power supply, voltage sensing 120-277VAC, 50/60Hz
- Standard 0-10VDC dimming driver
- Universal 120-277VAC button type photocell included standard
- L70 rated for 60,000 hours

Installation:

- Ideal for mounting to any vertical surface and attaches to a 3" or 4" j-box
- Can be surface mounted using the 1/2" conduit entry point at bottom of housing

Testing & Compliance:

- UL/cUL listed for wet locations
- DesignLights Consortium® (DLC) qualified (see QPL for listed models)
- Operating temperature: -20°C to 40°C (-4°F to 104°F)

Warranty:

- 5 year warranty (terms and conditions apply)

Note: Environment and application will affect actual performance. Typical values and 25°C used for testing. Specifications subject to change without notice.

Model: _____ Date: _____
 Accessories: _____
 Job Name: _____ Type: _____

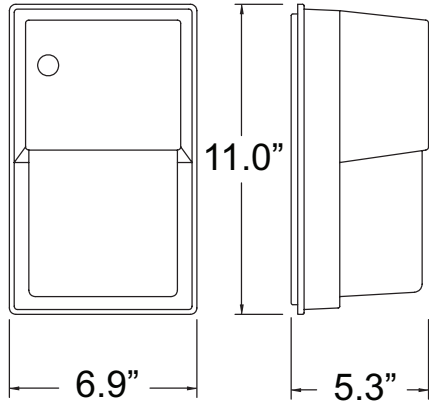


Specs At A Glance	
Wattage (w)	16
Lumens (lm)	1,839 (5000K)
Efficacy (lm/w)	112 (5000K)
Equivalency	100w HID
CCT (K)	4000K, 5000K
CRI	≥ 74
Input Voltage	120 - 277VAC, 50/60Hz
Ambient Temp	-20°C to 40°C (-4°F to 104°F)
Certifications	UL/cUL listed for wet locations, DLC
Warranty	5 Years

Ordering Information

Model ¹	Description
MRW-VS-4K	LED Wallpack, Mini polycarbonate refractor, 16w, 120-277VAC, 4000K CCT, Universal photocell, Bronze finish
MRW-VS-5K	LED Wallpack, Mini polycarbonate refractor, 16w, 120-277VAC, 5000K CCT, Universal photocell, Bronze finish

Dimensions



Weight: 5.2 lbs.

Sample Photometry

MRW-VS-4K

IES: TYPE III VERY SHORT

MOUNTING HEIGHT: **10 FEET**

TILT: ZERO

HORIZONTAL SPACING CRITERIA: 1.38

