

**DESCRIPTION**

Trace\*lite's LP24 offers incredible performance in an energy-efficient, slim profile package. It is ideal for office spaces, schools, hospitals and any indoor location that requires even illumination and lower maintenance. It is compatible with most standard t-bar grid ceilings, includes 0-10V dimming standard, and can also provide path of egress emergency lighting (LEDEM).

**SPECIFICATIONS**

**Construction:**

- Precision die-formed aluminum housing
- Recessed design fits most standard t-bar grid ceilings
- White polyester powder coat finish
- Suitable for damp locations

**Optics/ LEDs:**

- UV-stabilized PMMA lens
- L70 at 81,000hrs (36w)
- L70 at 63,000hrs (47w and 68w)

**Electrical:**

- High performance isolated driver features over-voltage, over-current and short-circuit (with auto-recovery) protection. Class A sound rating, 0-10V dimming included standard (10% - 100%)
- 120-277VAC, 50-60Hz
- >0.9 power factor
- Total harmonic distortion: <20%

**Testing & Compliance:**

- ETL listed for damp locations and insulated ceilings (IC Rated)
- cULus listed for wet locations and insulated ceilings (IC Rated)
- DesignLights Consortium® (DLC) qualified
- LP24-36 is DLC PREMIUM qualified
- Operating Temperatures:  
(36w) -25°C to 50°C (-13°F to 122°F)  
(47w and 68w) -25°C to 45°C (-13°F to 113°F)

Model: \_\_\_\_\_ Date: \_\_\_\_\_  
Accessories: \_\_\_\_\_  
Job Name: \_\_\_\_\_ Type: \_\_\_\_\_



**Installation:**

- Unit simply lifts through grid ceiling and rests on t-bars, driver attaches with quick-connect adaptors
- Easy installation in new construction or retrofit
- Standard mounting includes recessed mounting in grid ceilings
- Suspended mounting using attached hanging brackets and surface mounting kit
- Earthquake clips included
- Optional surface mounting kit is available
- Field installable battery packs available for emergency egress lighting

**Warranty:**

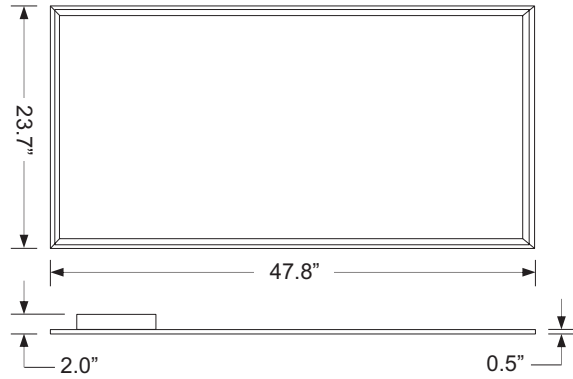
- 5 Year Warranty (Terms and Conditions Apply)

Specs at a Glance												
Wattage (w)	36				47				68			
CCT (K)	3000	3500	4000	5000	3000	3500	4000	5000	3000	3500	4000	5000
Lumens (lm)	4,516	4,540	4,589	4,637	4,652	4,652	4,652	5,062	6,567	6,645	6,645	7,325
Efficacy (LPW)	124	124	126	128	99	99	99	108	97	98	98	108
CRI	>80											
Input Voltage	120-277VAC, 50-60Hz											
Warranty	5 Years											
Ambient Temp	-25°C to 50°C (-13°F to 122°F)						-25°C to 45°C (-13°F to 113°F)					
Certifications	cULus Listed, DLC Premium						ETL Listed, DLC					
	IC Rated, Suitable for Damp Locations											

**Ordering Information** (Example: LP24-36-3K)

Series	Fixture Watts	Color Temperature (CCT)	Accessories <sup>5</sup> (Field Installed)
LP24 <sup>1</sup> = 2' x 4' Ultra-thin LED Panel	36 <sup>2</sup> = 36 Watts	3K - 3000 Kelvin	LP24-SMK = Surface Mount Kit
	47 <sup>3</sup> = 47 Watts	35K - 3500 Kelvin	LP24-FMK = Flange Mount Kit
	68 <sup>3</sup> = 68 Watts	4K - 4000 Kelvin	LEDEM-5W <sup>4</sup> = 5 Watt Battery Pack for Emergency Egress
<b>Notes</b>		5K - 5000 Kelvin	LEDEM-7W <sup>4</sup> = 7 Watt Battery Pack for Emergency Egress
	<sup>1</sup> Sold two (2) units per pack		LEDEM-10W <sup>4</sup> = 10 Watt Battery Pack for Emergency Egress
	<sup>2</sup> L70 @ 81,000hrs, UL Listed product		LEDEM-13W <sup>4</sup> = 13 Watt Battery Pack for Emergency Egress
	<sup>3</sup> L70 @ 63,000hrs, ETL Listed product		LEDEM-17W <sup>4</sup> = 17 Watt Battery Pack for Emergency Egress
<sup>4</sup> See back page for battery pack lumen output			
<sup>5</sup> Order as separate line item			

## Dimensions



Fixture Watts	Weight
36 = 36 Watts	13.6 lbs.
47 = 47 Watts	15.5 lbs.
68 = 68 Watts	15.5 lbs.

## Sample Photometry

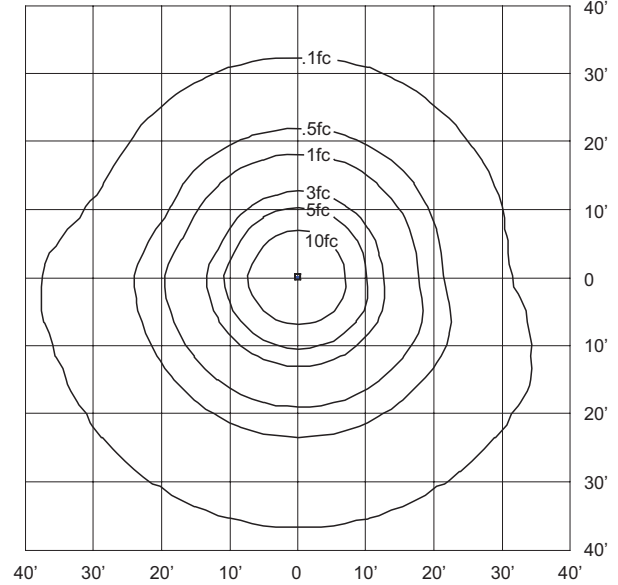
### LP24-70-3K

IES: TYPE II Very Short

MOUNTING HEIGHT: 10 FEET

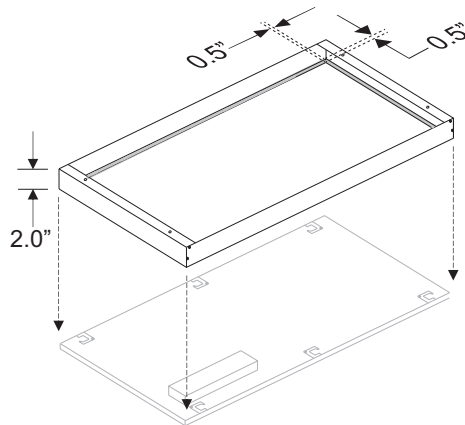
TILT: ZERO

HORIZONTAL SPACING CRITERIA: 1.20



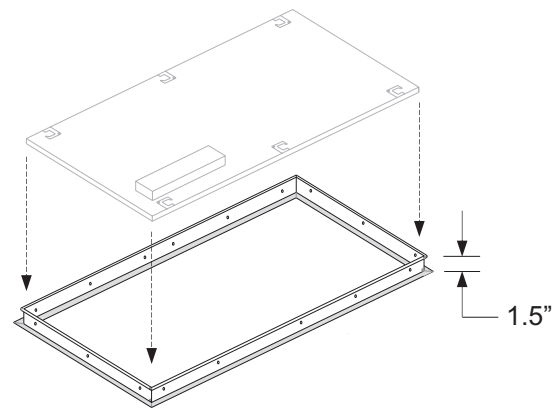
## Surface Mount Kit

Optional surface mounting kit (LP24-SMK) allows for installation on plaster or other hard ceilings and is used for suspended mount applications.



## Flange Mount Kit

Optional flange kit (LP24-FMK) mounts above the drywall ceiling and allows the panel to be mounted flush to the ceiling.



## Lumen Output Summary for LEDEM Battery Pack Accessories

LP Panel Battery Packs:			LEDEM-5W	LEDEM-7W	LEDEM-10W	LEDEM-13W	LEDEM-17W
			4.0	6.24	8.56	10.96	14.24
Model	Lumens	Wattage	Battery Back Up Lumens				
LP24-36-3K	4516	36	502	783	1074	1375	1786
LP24-36-35K	4540	36	510	795	1091	1397	1815
LP24-36-4K	4589	36	510	795	1091	1397	1815
LP24-36-5K	4637	36	515	804	1103	1412	1834
LP24-47-3K	4652	47	396	618	847	1085	1409
LP24-47-35K	4652	47	396	618	847	1085	1409
LP24-47-4K	4652	47	396	618	847	1085	1409
LP24-47-5K	5062	47	431	672	922	1180	1534
LP24-68-3K	6567	68	386	603	827	1058	1375
LP24-68-35K	6645	68	391	610	836	1071	1392
LP24-68-4K	6645	68	391	610	836	1071	1392
LP24-68-5K	7325	68	431	672	922	1181	1534

Specifications are subject to change without notice.  
Installation must be performed in accordance with  
Barron Lighting Group installation instructions.

10810329 09/17

**SPECIFICATIONS**

**Illumination:**

- Provides constant power output to the load during emergency mode operation
- Can be operated as NORMALLY-ON, NORMALLY-OFF or SWITCHED LOAD

**Electrical:**

- Universal 120-277V, 50/60 Hz input
- Charge/Power "ON" LED indicator light and push-to-test switch for mandated code compliance testing
- Long-life, maintenance free, rechargeable NiCad battery
- Output short/overcurrent protection: Electronic limiting, with normal operation resuming upon removal of fault
- 90 Minute minimum emergency operating time over full temperature range (other run times available upon request)
- Output classification: Class 2 Compliant
- Surge protection: Per C62.41 (TVS)
- Input overcurrent protection: Fusible link
- 24 Hour maximum battery recharge time

**Housing:**

- LED illuminated and remote mounted test switch
- Injection-molded, engineering grade, 5VA flame retardant, high-impact resistant, thermoplastic in a black finish

**Mounting:**

- Suitable for installation on top of the fixture
- Can be remote mounted (up to 50')

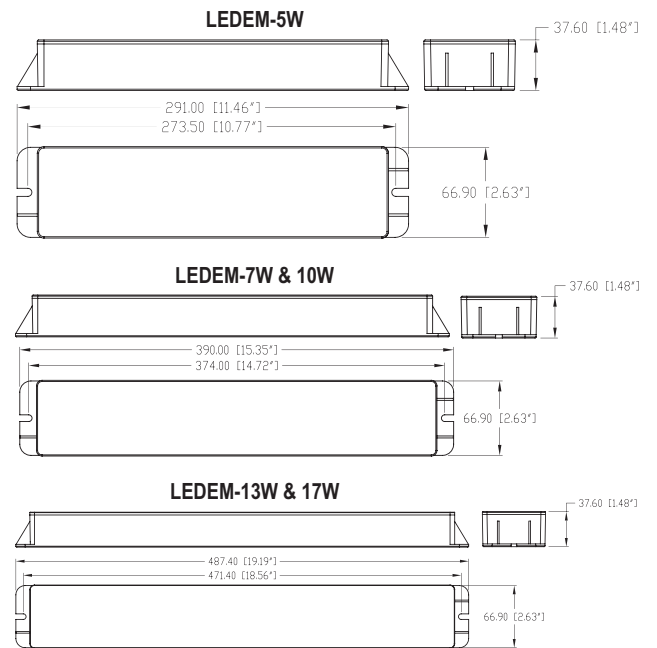
**Testing & Compliance:**

- Suitable for field installation
- Suitable for damp locations (0°C - 50°C)

**Warranty:**

- 5 Year Warranty (Terms and Conditions Apply)

Model: \_\_\_\_\_ Date: \_\_\_\_\_  
 Accessories: \_\_\_\_\_  
 Job Name: \_\_\_\_\_ Type: \_\_\_\_\_



**Ordering Information**

Series	Output Operating Range		Output Power Watts	UL Listed Part #'s
	Voltage (VDC)	Current (MADC)		
LEDEM-5W	20-50	250-100	5.0	BLEDEM-CP-800
LEDEM-7W	20-50	390-156	7.0	BLEDEM-CP-1200
LEDEM-10W	20-50	535-214	10.7	BLEDEM-CP-1800
LEDEM-13W	20-50	685-274	13.7	BLEDEM-CP-2000
LEDEM-17W	20-50	850-340	17.0	BLEDEM-CP-2400

Provides regulated power from 5.0 watts to 17.0 watts (up to 800 to 2400 lumens).

## Electrical Information

Model	Input Current (A)	Input Power (W)
LEDEM-5W	0.061	3.9
LEDEM-7W	0.065	4.8
LEDEM-10W	0.087	5.7
LEDEM-13W	0.110	6.9
LEDEM-17W	0.110	7.9

### LEDEM Series System Coordination Guidelines

These guidelines were developed to allow the lighting system Designer/Specifier to predict the operating performance levels of LED luminaires when powered by an electrically compatible LEDEM Series model. It is ultimately the responsibility of the Designer/Specifier to insure that the as installed system delivers code-compliant path of egress illumination.

### Determine Electrical Compatibility

- A) Verify that the Luminaire LED Driver, where applicable, is Class 2 compliant.
- B) Verify that the Luminaire LED Lamp(s) have an operating voltage between 20Vdc and 50Vdc.
- C) Verify that the Luminaire LED Lamp(s) have a power rating equal to, or greater than, the emergency power rating of the LEDEM model under consideration.