

DESCRIPTION

3.5" Downlights for insulated ceiling applications both new construction and remodel. Dedicated housing for 3.5" LED trims/modules.

SPECIFICATIONS

Construction:

- Galvanized steel construction
- Contains one 1 1/8", six 7/8" knockouts and four romex pryouts with stain relief
- Housing on new construction model can be removed from frame to provide access to the junction box

Optics/ LEDs:

- Lumen output dependent upon LED trim/module used

Electrical:

- 2-Pin snap-on connector for easy connection to LED trims/modules

Installation:

- Bar hangers on new construction model are adjustable from 13 5/8" to 25" and can be repositioned 90° on plaster frame
- Four clips on remodel cans secure housing to 1/2" and 5/8" ceilings
- Pre-installed nails on new construction housings easily install in regular and engineered lumber joists

Testing & Compliance:

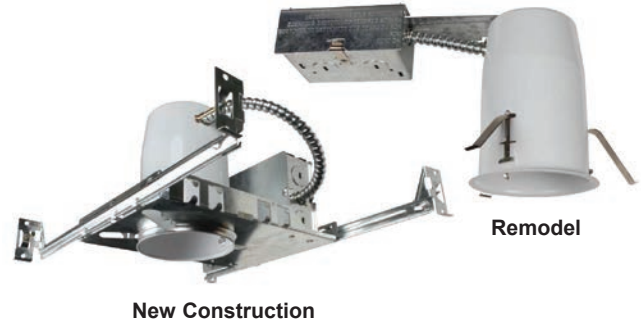
- Certified under ASTM-E283 for airtight construction
- cULus Listed for Damp Locations
- Meets state of California Title 24 requirement

Warranty:

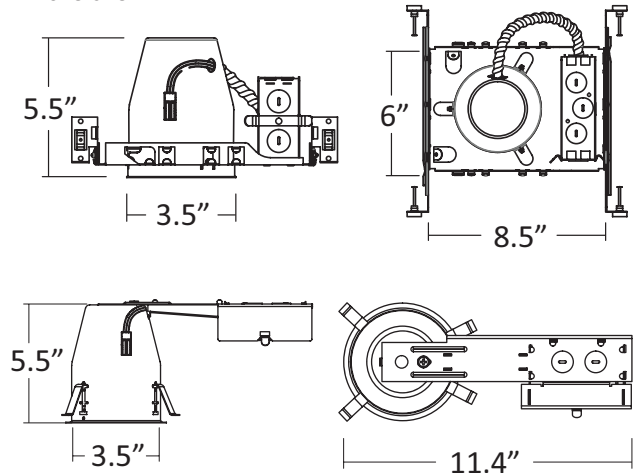
- Five year warranty (terms and conditions apply)

Note: Environment and application will affect actual performance. Typical values and 25°C used for testing. Specifications subject to change without notice.

Model: _____ Date: _____
 Accessories: _____
 Job Name: _____ Type: _____



Dimensions



Ordering Information

SKUs	Description
BL350ICATLEDNND-QN	3 1/2" IC LED housing for new construction applications
BL350ICATLEDRND-QN	3 1/2" IC LED housing for remodel applications