

The XFMR-E is an electronic Class 2, 0-10V dimmable LED driver with an integrated junction box, making it the perfect choice for tape lighting, tube lighting, linear lighting and multiple other commercial lighting applications. The enclosure is IP66 and is suitable for both indoor and outdoor installations; it includes a separate input and output wiring compartment with three 7/8" knockouts for easy installation. The driver features hiccup mode, over current and short circuit protection – as well as an efficiency over 84%, resulting in low operating case temperature. The XFMR-E is dimmable down to 1% with a 0-10V dimmer.

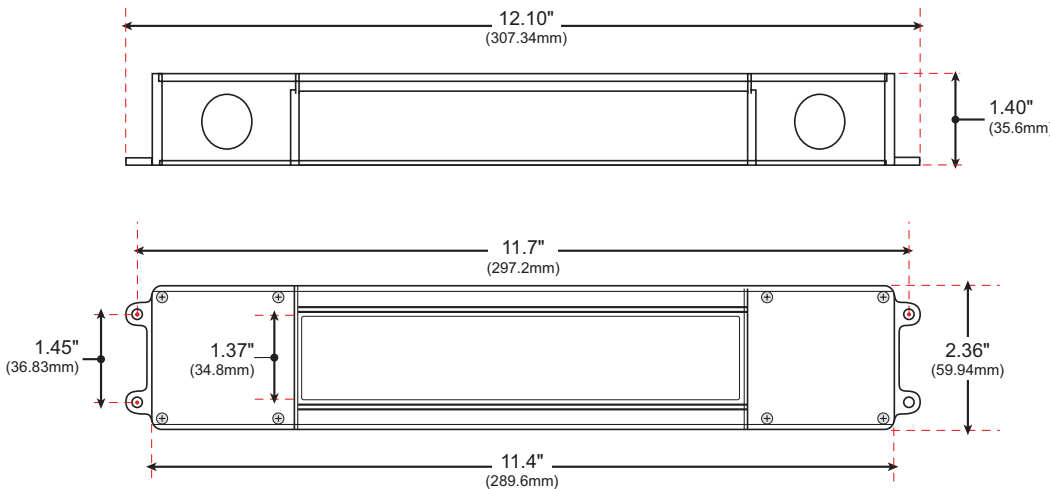
FEATURES & BENEFITS:

- Installation: Can have integrated junction box with multiple 7/8" knock-outs
- Driver Type: Class 2 Single Channel
- Dimming: 0-10V dimmable down to 1%; non-dimmable available
- Input Voltage: Universal 120VAC to 277VAC, 50/60Hz
- Output Voltage: 24VDC
- Environmental: For both indoor and outdoor use
- IP Rating: IP66

WARRANTY (Terms & Conditions Apply):

- Five Year Warranty

Model: _____ Date: _____
Accessories: _____
Job Name: _____ Type: _____



ORDERING INFORMATION

Example: XFMR-DIM-24-60-E

Model

XFMR-DIM-24-30-E = Electronic Constant Voltage Driver, 120-277VAC Input, 24VDC Output, 30W, 0-10V Dimming, Integrated Junction Box, IP66

XFMR-DIM-24-60-E = Electronic Constant Voltage Driver, 120-277VAC Input, 24VDC Output, 60W, 0-10V Dimming, Integrated Junction Box, IP66

XFMR-DIM-24-96-E = Electronic Constant Voltage Driver, 120-277VAC Input, 24VDC Output, 96W, 0-10V Dimming, Integrated Junction Box, IP66

Input	30W	60W	96W
Input Voltage Range:	120-277VAC ± 10%	120-277VAC ± 10%	120-277VAC ± 10%
Input Frequency:	50/60Hz	50/60Hz	50/60Hz
Input Current:	0.96A Max (24VDC)	0.96A Max (24VDC)	0.96A Max (24VDC)
Inrush Current:	5A Max @ 120VAC 30A Max @ 277VAC	5A Max @ 120VAC 30A Max @ 277VAC	5A Max @ 120VAC 30A Max @ 277VAC
Efficiency:	>84% Max (24VDC)	>84% Max (24VDC)	>84% Max (24VDC)
Power Factor:	>0.91 (24VDC)	>0.95 (24VDC)	>0.95 (24VDC)
THD:	<20%	<20%	<20%
Output			
Output Voltage:	24VDC	24VDC	24VDC
Max Load:	30W	60W	96W
Output Current @ Max Load:	1.3A (24VDC)	2.6A (24VDC)	4.1A (24VDC)
Output Ripple:	<3%	<3%	<3%
Line Regulation:	<2%	<2%	<2%
Load Regulation:	<3% (24VDC)	<3% (24VDC)	<3% (24VDC)
Turn On Delay Time:	<0.3 Seconds	<0.3 Seconds	<0.3 Seconds
Environmental			
Environmental Protection Rating:	IP66	IP66	IP66
Ambient Operating Temperature:	-25°C to 40°C (-13°F to 104°F)	-25°C to 40°C (-13°F to 104°F)	-25°C to 40°C (-13°F to 104°F)
Max Case Temperature:	80°C (176°F)	80°C (176°F)	80°C (176°F)
Storage Temperature:	-40°C to 85°C (-40°F to 185°F)	-40°C to 85°C (-40°F to 185°F)	-40°C to 85°C (-40°F to 185°F)
Expected Lifetime:	50K Hours (>65°C) Tc	50K Hours (>65°C) Tc	50K Hours (>65°C) Tc
Audible Noise:	<24dB Class A	<24dB Class A	<24dB Class A
Dimming			
Dimming Control:	0-10V	0-10V	0-10V
Minimum Dimming Level:	1%	1%	1%
Dimming Curve:	Linear	Linear	Linear
Current Consumption:	0.2mA Max Source / Sinc	0.2mA Max Source / Sinc	0.2mA Max Source / Sinc
Protection			
Over Current Protection:	Yes	Yes	Yes
Over Voltage Protection:	Yes	Yes	Yes
Over Temperature Protection:	Yes / Hiccup Mode	Yes / Hiccup Mode	Yes / Hiccup Mode
Over Load Protection:	Yes / Current Limit	Yes / Current Limit	Yes / Current Limit
Short Circuit Protection:	Yes / Current Limit	Yes / Current Limit	Yes / Current Limit

WIRING DIAGRAM

