

XET-3A Series

3 Amp Emergency Lighting Control Device



The Exitronix XET-3A Emergency Lighting Control Device allows local switch control of designated emergency luminaires when emergency power is provided by a generator or inverter. The XET-3A senses the loss of normal AC power and bypasses the local switch device allowing emergency power directly to the fixture regardless of switch position. The XET-3A is rated for any lamp load up to 3 Amps continuous power including LED loads per NEMA 410 standards. The XET-3A is an ideal solution for achieving increased energy savings in accordance with most energy efficiency standards by eliminating the need to operate the designated emergency fixtures 24/7 when emergency power is sourced from a generator or inverter. Dimming ballasts require one XET-3A for each hot lead.



FEATURES & BENEFITS

- Allows full light output operation of any LED, fluorescent, or incandescent switched fixture from the generator or inverter supply
- Regain local switch control of your designated emergency fixtures powered from a generator or inverter
- Rated for LED loads up to 3 Amps continuous as per NEMA 410
- Rated for use in plenum applications
- Promotes energy savings by eliminating the need for always-on fixtures

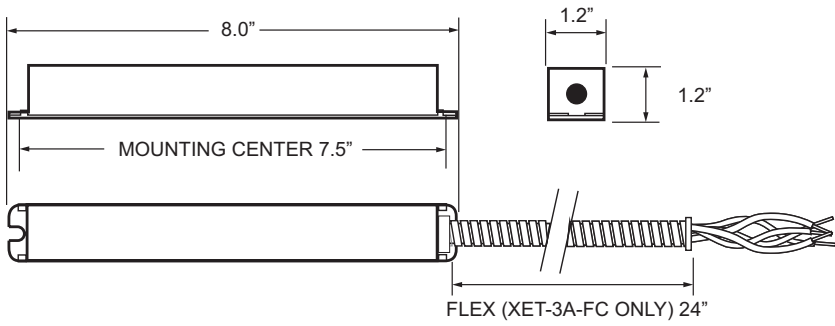
SPECIFICATIONS

Emergency Operation:	The XET-3A allows operation of any lamp type in the designated fixture for the duration of the auxiliary supply
Loads Operated:	Full light output operation of any LED, fluorescent, or incandescent switched fixture from the generator or inverter supply up to 3 Amps continuous
Housing:	Galvanized steel housing
Input:	120-277VAC Dual voltage, 60Hz
Input Current:	40mA
Max Throughput Current:	3 Amps @ 120VAC 3 Amps @ 277VAC
In-rush Current Rating:	166A for .89ms @ 120VAC 250A for .98ms @ 277VAC
Operating Temp:	0°C to 55°C (32°F to 131°F)
Certifications:	UL 924 Listed ALCR Control Device, meets or exceeds all NEC, IBC, and Life Safety Code Emergency Lighting Requirements
Warranty:	Any component that fails due to a manufacturing defect is guaranteed for five years. The warranty does not cover physical damage, abuse or instances of uncontrollable natural forces. See the full Exitronix warranty document for detailed information.

ORDERING INFORMATION

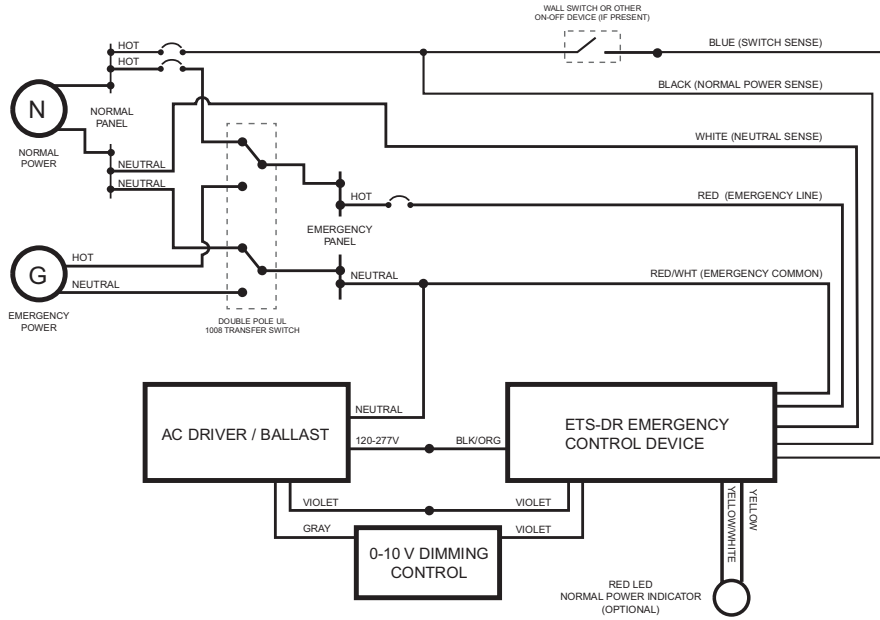
SKU	Description	UL Part Number
XET-3A	Emergency transfer switch, 3 Amps switching current (no flex housing)	ETS-DR
XET-3A-FC	Emergency transfer switch with 24" flex conduit, 3 Amps switching current	ETS-DR-A

Model: _____ Date: _____
Accessories: _____
Job Name: _____ Type: _____



WIRING DIAGRAM

Separately Derived System (switched neutral)



Non-Separately Derived System

