

DESCRIPTION

The WRG Series is a die-cast wall pack available in two housing sizes and delivering up to 8,700 lumens. Finished in a textured bronze powder coating, the fixture features a durable, weather-resistant construction with a glass refractor and Type IV distribution for effective perimeter and area lighting. Designed for commercial and industrial applications, the WRG Series combines high efficacy, long service life, and dependable performance in demanding environments.

SPECIFICATIONS

Construction:

- Die-cast aluminum housing with powder coated bronze finish
- Medium and large enclosures, hinged for easy installation and maintenance

Optics/LEDs:

- Prismatic clear glass lens or diffused prismatic glass lens
- Type IV distribution for optimal light distribution
- Available in 2 housing sizes:
 - WRG-M: 28W-55W (3,507-7,924 lumens)
 - WRG-L: 32W-68W (4,223-8,797 lumens)
- 3000K, 4000K, 5000K CCT
- 80 CRI
- Efficacy up to 148 lumens per watt
- L70 ≥ 138,000 hours

Electrical:

- 120-277VAC, 50/60Hz
- 0-10V Dimming driver
- Power Factor ≥ 0.90
- 347-480VAC option (Option: HVS)

Installation:

- Ideal for mounting to any vertical surface and attaches to a 4" J-box
- Can be surface mounted using the 1/2" conduit entry points on all four sides of the housing
- Enclosure hinges open for easy installation and maintenance

Options:

- Battery Backup (Option: BB) Operating Temperatures: 0°C to 40°C (32°F to 104°F)
- Cold Location Battery Backup (Option: CL) Operating Temperatures: -20°C to 40°C (-4°F to 104°F)
- Photocontrol 120-277VAC (Option: PC)
- Fuse; Single Fuse (Option: F) or Double Fuse (Option: FD)
- 120/277VAC Photocontrol (Option: PC)
- Microwave Sensor with dimming for mounting heights up to 40' (Option: SC) or Microwave Sensor with On/Off for mounting heights up to 19' (Option: SC2)
- Surge Protector; 120-277VAC Surge Protector 10kVA (Option: SP)

Testing & Compliance:

- cETLus Listed for Wet Locations
- IP65 Rated
- Operating Temperatures: -40°C to 40°C (-40°F to 104°F)
 - 0°C to 40°C (32°F to 104°F) with Battery Backup (Option: BB)
 - -20°C to 40°C (-4°F to 104°F) with Cold Location Battery Backup (Option: CL)
- Buy American Act compliant

Warranty:

- Five Year Warranty (Terms and Conditions Apply)

Model: _____ Date: _____
 Accessories: _____
 Job Name: _____ Type: _____



Specs at a Glance		
Model	WRG-M	WRG-L
Wattage (W)*	28W, 47W, 55W	32W, 48W, 68W
Lumens (lm)	3,507 - 7,924	4,223 - 8,797
Efficacy (LPW)	Up to 148	Up to 140
Distribution	Type IV	
CCT (K)	3000K, 4000K, 5000K	4000K, 5000K
CRI	80	
Input Voltage	120-277VAC or 347-480VAC	
Operating Temp	-40°C to 40°C (-40°F to 104°F)	
Certifications	ETL Listed for Wet Locations, IP65	
Warranty	5 Years	

* Nominal Wattage, tested at 4000K CCT. See performance table for details.

Note: Environment and application will affect actual performance. Typical values and 25°C (77°F) used for testing. Specifications subject to change without notice.

ORDERING INFORMATION (Example: WRG-M-28-4-PG-VS-3K-BR-BB)

Model	Size, Wattage	Distribution	Lens	Input Voltage	CCT	Finish
WRG	M-28 = Medium, 28 Watt	4 = Type IV	PG = Prismatic Clear Glass Lens	VS = 120-277VAC	3K ¹ = 3000K	BR = Bronze
	M-47 = Medium, 47 Watt		DG = Prismatic Diffused Glass Lens	HVS = 347-480VAC	4K = 4000K	
	M-55 = Medium, 55 Watt				5K = 5000K	
	L-32 = Large, 32 Watt					
	L-48 = Large, 48 Watt					
	L-68 = Large, 68 Watt					
						Options
						BB ² = Battery Backup
						CL ² = Cold Location Battery Backup
						F ² = Fuse
						FD ² = Double Fuse
						PC ² = 120-277VAC Photocontrol
						SC ² = Microwave Sensor w/ Dimming
						SC2 ² = Microwave Sensor On/Off
						SP ² = 120-277VAC Surge Protector 10kVA

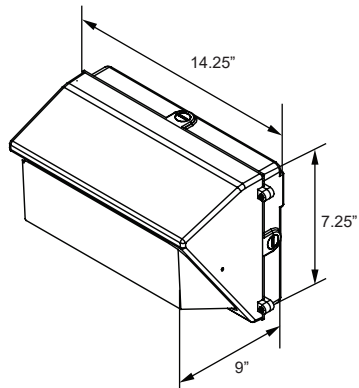
Notes:
¹ Not available in WRG-L
² 120-277VAC Only

PERFORMANCE DATA

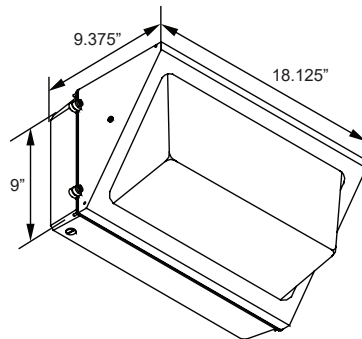
Model	Wattage	CCT	Lumens	LPW	CRI
WRG-M-28	27.2W	3000K	3,507	130	80
WRG-M-28	27.2W	4000K	3,804	141	80
WRG-M-28	27.2W	5000K	3,962	147	80
WRG-M-47	47W	3000K	5,260	112	80
WRG-M-47	47W	4000K	5,706	121	80
WRG-M-47	47W	5000K	5,943	126	80
WRG-M-55	54.3W	3000K	7,013	130	80
WRG-M-55	54.3W	4000K	7,608	141	80
WRG-M-55	54.3W	5000K	7,924	148	80
WRG-L-32	31.6W	4000K	4,223	132	80
WRG-L-32	31.6W	5000K	4,399	137	80
WRG-L-48	47.4W	4000K	6,334	135	80
WRG-L-48	47.4W	5000K	6,598	140	80
WRG-L-68	67.3W	4000K	8,445	126	80
WRG-L-68	67.3W	5000K	8,797	132	80

DIMENSIONS

WRG-M



WRG-L



Specifications are subject to change without notice.
 Installation must be performed in accordance with
 Barron Lighting Group installation instructions.