

DESCRIPTION

The WFC Series is a die-cast, full cutoff wallpack available in two housing sizes and delivering up to 20,000 lumens. Featuring a textured bronze powder-coated finish, this fixture features a durable, weather-resistant design with a UV-stabilized polycarbonate lens. Type IV distribution offers optimal perimeter and area lighting, ideal for commercial and industrial applications. The WFC Series provides high efficacy, long life, and reliable performance in demanding environments.

SPECIFICATIONS

Construction:

- Die-cast aluminum housing with nickel-plated stainless steel hardware and powder coated bronze finish
- UV-stabilized polycarbonate optical lens; Type IV
- Integral heat sink for maximized heat dissipation

Optics/LEDs:

- Zero uplight design to minimize light pollution
- Type IV distribution for optimal light distribution
- Available in 2 housing sizes:
 - WFC-S: 20W-84W (2,151-9,278 lumens)
 - WFC-L: 93W-188W (9,700-20,704 lumens)
- 3000K, 4000K or 5000K CCT
- 80 CRI
- Efficacy up to 122 lumens per watt
- L70 ≥ 646,000 hours

Electrical:

- 120-277VAC, 50/60Hz
- 0-10V Dimming driver
- Power Factor ≥ 0.90
- 347-480VAC option (Option: HVS)

Installation:

- Housing hangs on mounting bracket and secured with set screws
- Wall mount bracket with built in bubble level
- Mounts to a standard 4" outlet box

Options:

- Battery Backup (Option: BB) Operating Temperatures: 0°C to 50°C (32°F to 122°F)
- Cold Location Battery Backup (Option: CL) Operating Temperatures: -20°C to 50°C (-4°F to 122°F)
- Photocontrol 120-277VAC (Option: PC)
- Fuse; Single Fuse (Option: F) or Double Fuse (Option: FD)
- 120/277VAC Photocontrol (Option: PC)
- Microwave Sensor with dimming (Option: SC) or Microwave Sensor with On/Off (Option: SC2)
- Surge Protector; 120-277VAC Surge Protector 10kVA (Option: SP), 120-277VAC Surge Protector 20kVA (Option: SP2), 347-480VAC Surge Protector 10kVA (Option: SPH)

Testing & Compliance:

- cETLus Listed for Wet Locations
- IP66 Rated
- Operating Temperatures: -40°C to 50°C (-40°F to 122°F)
 - 0°C to 50°C (32°F to 122°F) with Battery Backup (Option: BB)
 - -20°C to 50°C (-4°F to 122°F) with Cold Location Battery Backup (Option: CL)
- Buy American Act compliant

Warranty:

- Five Year Warranty (Terms and Conditions Apply)

Model: _____ Date: _____
 Accessories: _____
 Job Name: _____ Type: _____



Specs at a Glance		
Model	WFC-S	WFC-L
Wattage (W)*	20W, 29W, 42W, 84W	93W, 131W, 188W
Lumens (lm)	2,151 - 9,278	9,700 - 20,704
Efficacy (LPW)	Up to 122	Up to 110
Distribution	Type IV	
CCT (K)	3000K, 4000K, 5000K	4000K, 5000K
CRI	80	
Input Voltage	120-277VAC or 277-480VAC	
Operating Temp	-40°C to 50°C (-40°F to 122°F)	
Certifications	ETL Listed for Wet Locations, IP66	
Warranty	5 Years	

* Nominal Wattage, tested at 4000K CCT. See performance table for details.

Note: Environment and application will affect actual performance. Typical values and 25°C (77°F) used for testing. Specifications subject to change without notice.

ORDERING INFORMATION (Example: WFC-S-20-4-VS-3K-BR-BB)

Model	Wattage	Distribution	Input Voltage	CCT	Finish	Options
WFC-S = Small	20 ¹ = 20 Watt	4 = Type IV	VS = 120-277VAC	3K ³ = 3000K	BR = Bronze	BB ^{4,5} = Battery Backup
WFC-L = Large	29 ¹ = 29 Watt		HVS = 347-480VAC	4K = 4000K		CL ^{4,5} = Cold Location Battery Backup
	42 ¹ = 42 Watt			5K = 5000K		F ⁴ = Fuse
	84 ¹ = 84 Watt					FD ⁴ = Double Fuse
	93 ² = 93 Watt					PC ⁴ = 120-277VAC Photocontrol
	131 ² = 131 Watt					SC ⁴ = Microwave Sensor w/ Dimming
	188 ² = 188 Watt					SC2 ⁴ = Microwave Sensor On/Off
						SP ⁴ = 120-277VAC Surge Protector 10kVA
						SP2 ⁴ = 120-277VAC Surge Protector 20kVA
						SPH ⁶ = 347-480VAC Surge Protector 10kVA

Notes:

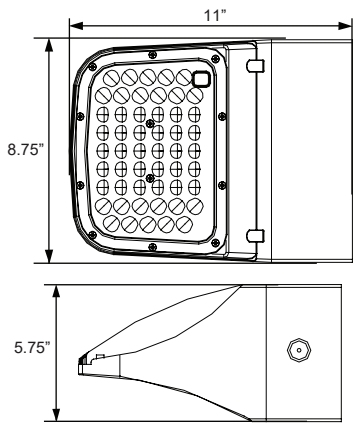
¹ Only available in WFC-S
² Only available in WFC-L
³ Not available in WFC-L
⁴ Not compatible with HVS configuration
⁵ Not compatible with 131W and 188W
⁶ Not compatible with VS configurations

PERFORMANCE DATA

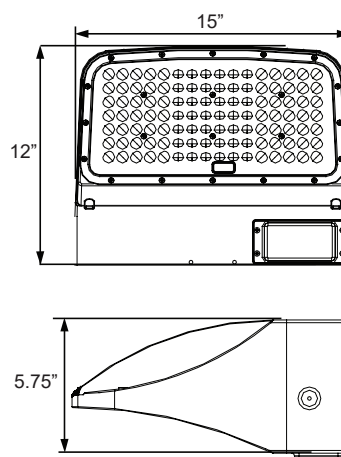
Model	Wattage	CCT	Lumens	LPW	CRI
WFC-S-20	19.4W	3000K	2,151	111	80
WFC-S-20	19.4W	4000K	2,140	112	80
WFC-S-20	19.4W	5000K	2,326	120	80
WFC-S-29	28.4W	3000K	3,167	113	80
WFC-S-29	28.4W	4000K	3,151	113	80
WFC-S-29	28.4W	5000K	3,424	122	80
WFC-S-42	41.8W	3000K	4,259	101	80
WFC-S-42	41.8W	4000K	4,459	106	80
WFC-S-42	41.8W	5000K	4,604	110	80
WFC-S-84	83.7W	3000K	8,582	105	80
WFC-S-84	83.7W	4000K	9,166	109	80
WFC-S-84	83.7W	5000K	9,278	110	80
WFC-L-93	93W	4000K	9,700	104	80
WFC-L-93	93W	5000K	10,402	112	80
WFC-L-131	131W	4000K	13,636	104	80
WFC-L-131	131W	5000K	14,049	107	80
WFC-L-188	187.5W	4000K	20,327	108	80
WFC-L-188	187.5W	5000K	20,704	110	80

DIMENSIONS

WFC-S



WFC-L



Specifications are subject to change without notice.
 Installation must be performed in accordance with
 Barron Lighting Group installation instructions.