

WBVB-300L

Installation Instructions



IMPORTANT SAFEGUARDS READ AND FOLLOW ALL SAFETY INSTRUCTIONS.

When using electrical equipment, basic safety precautions should always be followed including the following:

- **DISCONNECT AC POWER SUPPLY BEFORE SERVICING.**
- Installation and servicing of this equipment should be performed by qualified service personnel only.
- Ensure that the electrical wiring conforms to the National Electrical Code NEC® and local regulations if applicable.
- Do not mount near gas or electrical heaters.
- Equipment should be mounted in locations and at heights where it will not be readily subjected to tampering by unauthorized personnel.
- The use of accessory equipment not recommended by the manufacturer may cause an unsafe condition.
- Any modification or use of non-original components will void the warranty and product liability.
- Do not use this equipment for other than intended use.

SAVE THESE INSTRUCTIONS!

Technical Support ■ (623) 580-8943 ■ technicalsupport@barronltg.com

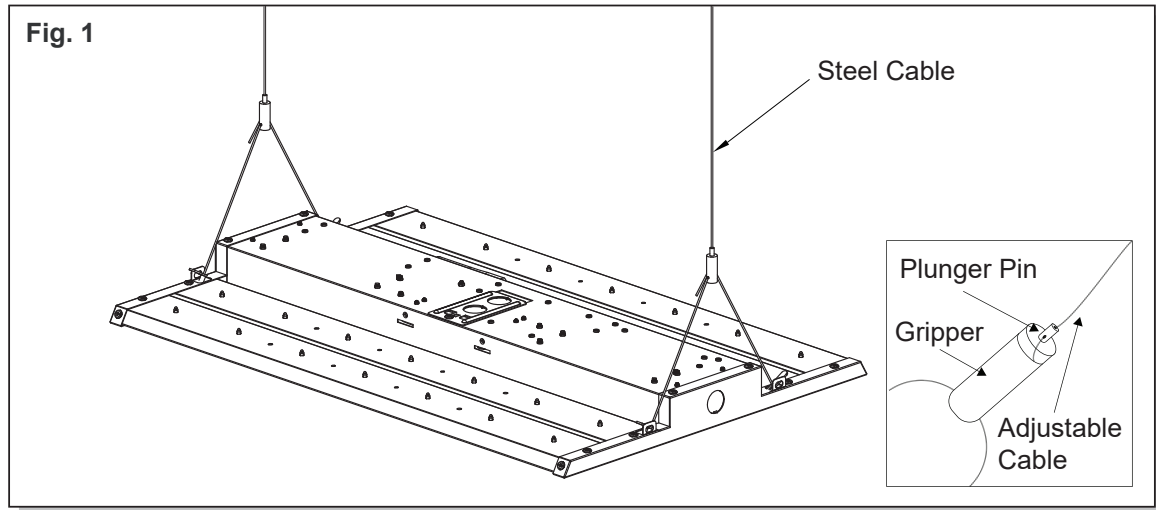
WBVB-300L

Installation Instructions

Installation

Cable Mount

1. Attach steel cables (provided) to each end of the fixture, as shown. Hang from the ceiling using appropriate hardware supplied by others. (Fig. 1)
2. Plug the power cord into a 120VAC outlet.
3. Adjust the height of the fixture using the cable adjusters by depressing the plunger pin and adjusting the cable length. Be sure that the fixture is level with the ground.



Troubleshooting

If the fixture does not operate correctly:

1. Check incoming voltage to the LED driver(s); voltage must be per fixture label.
2. If all LEDs do not illuminate, the driver(s) may be disconnected. Ensure driver(s) are secure. If secure, use a multimeter to check the voltages at the output. If low or no voltage, consult the factory.
3. If some, but not all LEDs are illuminated, consult the factory for additional technical support.