



IMPORTANT SAFEGUARDS READ AND FOLLOW ALL SAFETY INSTRUCTIONS.

When using electrical equipment, basic safety precautions should always be followed including the following:

- **DISCONNECT AC POWER SUPPLY BEFORE SERVICING.**
- Installation and servicing of this equipment should be performed by qualified service personnel only.
- Ensure that the electrical wiring conforms to the National Electrical Code NEC® and local regulations if applicable.
- For use with metal enclosure wiring systems.
- Do not mount near gas or electrical heaters.
- Equipment should be mounted in locations and at heights where it will not be readily subjected to tampering by unauthorized personnel.
- The use of accessory equipment not recommended by the manufacturer may cause an unsafe condition.
- Any modification or use of non-original components will void the warranty and product liability.
- Do not use this equipment for other than intended use.
- Use caution when servicing batteries. Battery acid can cause burns to skin and eyes. If acid is spilled on skin or eyes, flush acid with fresh water and contact a physician immediately.
- Allow battery to charge for 24 hours before first use.

SAVE THESE INSTRUCTIONS!

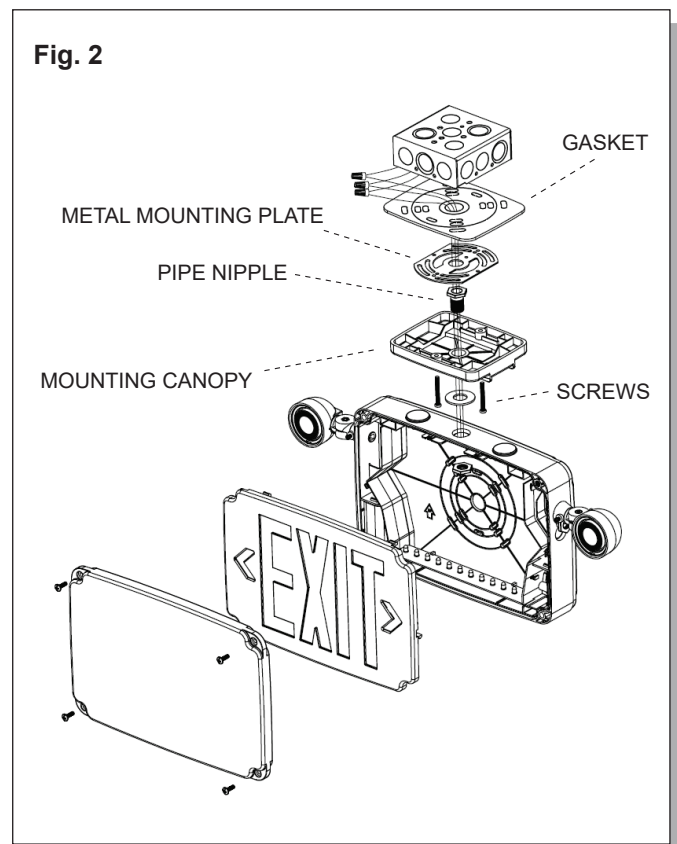
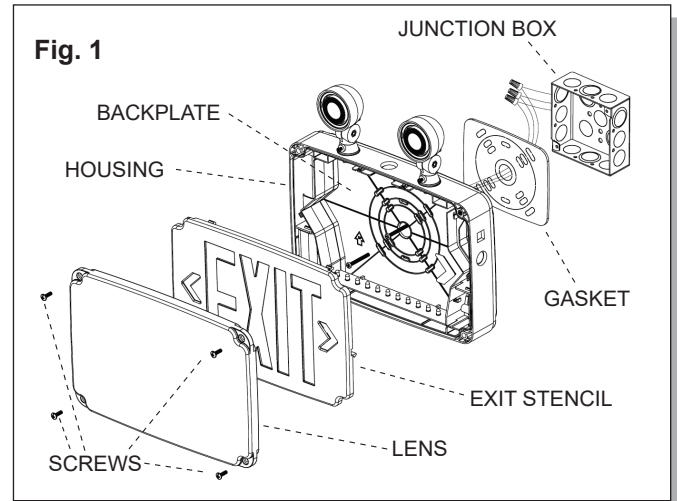
Technical Support ■ (623) 580-8943 ■ technicalsupport@barrontg.com

Wall Mount (Fig. 1)

1. Use a flathead screwdriver to loosen the screws on the lens.
2. Remove clear lens from the sign and set aside.
3. Remove Exit Stencil from fixture frame/housing and set aside.
4. Drill or knockout the appropriate knockouts on the backplate to fit junction box (not provided) mounting points.
5. Drill or knockout the center hole on the backplate for routing fixture supply wire leads.
6. Remove the backing from self-adhesive junction box gasket and adhere to backplate.
7. Route fixture input wires through the center hole of the backplate and make wiring connections inside the junction box. For 120V use Black and White wires, and for 277V use Red and White wires (refer to **Electrical Connections** on Page 5).
8. Secure backplate to junction box (hardware not included).
9. Remove proper chevron(s) from EXIT stencil as required. When removing chevrons, it may be helpful to remove the color diffuser panel to allow easier access to the chevrons. Remember to reinstall the diffuser panel once chevron(s) have been removed.
10. Connect battery to lamp board (refer to **Electrical Connections** on Page 5).
11. Secure (snap in) EXIT stencil to the fixture frame.
12. Attach the clear lens to fixture and secure using the screws removed in step 2.
13. Apply continuous AC power. See **Operation** section (on page 4) for instructions on testing the battery.

Ceiling or End Mount (Fig. 2 & Fig. 3)

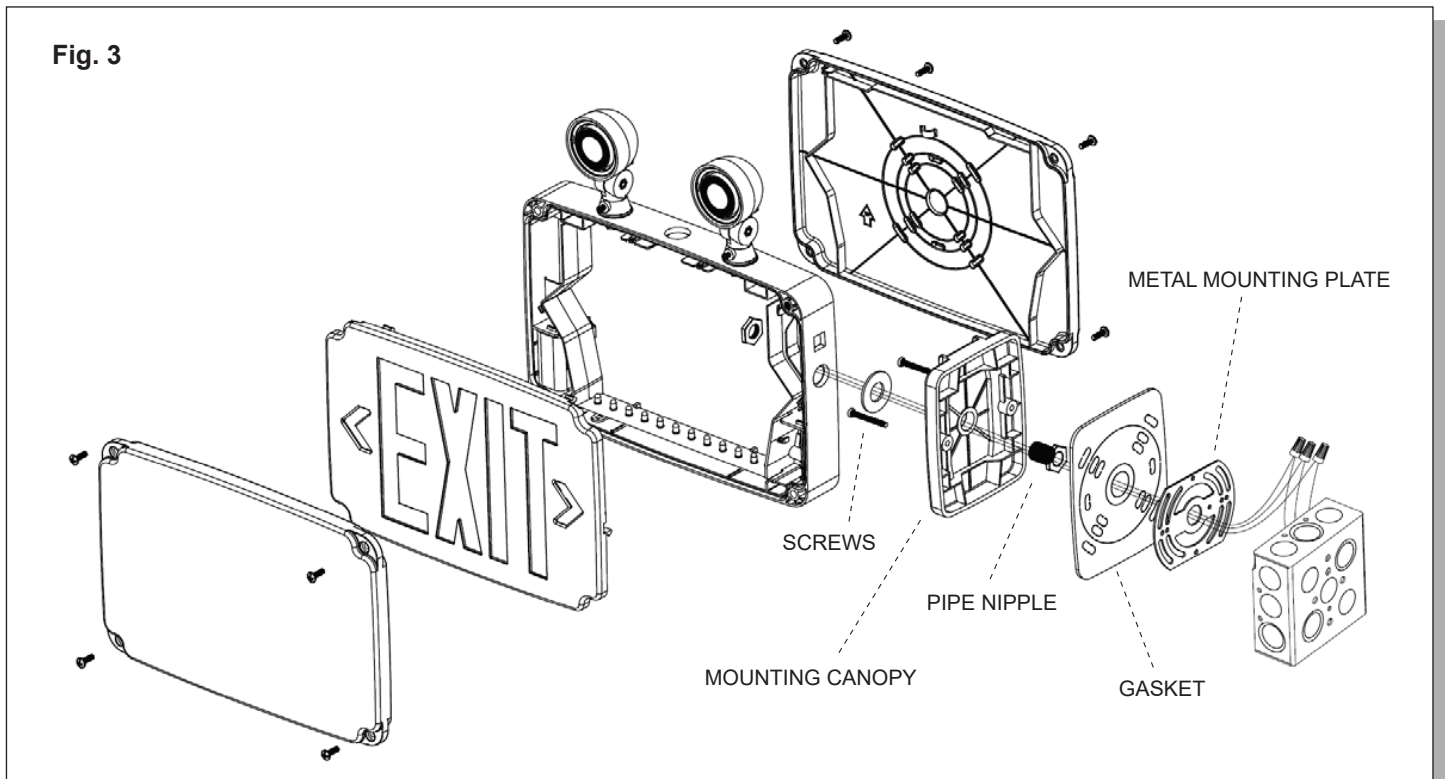
1. Follow steps 1 through 3 of **Wall Mount** section.
2. Drill $\frac{3}{4}$ " holes through the desired mounting knockout located on top or side of the fixture frame. For ceiling mount, use the knockout on the top of the fixture. For wall mount, use the knockout on the side of the fixture. For ceiling mount, lamp heads can be relocated from the top to the sides of the unit, using the lamp head knockouts. Lamp head holes in the top should be sealed with wet-location rated plugs (consult factory).
3. From the provided mounting hardware, thread nuts onto pipe nipples. Slide pipe nipples through the mounting canopy hole.
4. Remove the backing from self-adhesive junction box gasket and adhere to back of mounting canopy. Remove the backing from self-adhesive pipe thread gasket and adhere to front of mounting canopy.



Ceiling or End Mount (continued)

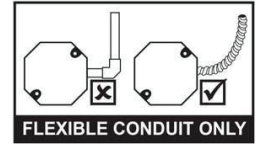
5. Place screws (provided) in holes on the mounting canopy.
6. Route fixture input wires through knockout in fixture frame, pipe-nut, and metal mounting plate.
7. Make wiring connection inside the junction box (not provided). For 120V, use Black and White wires and for 277V, use Red and White wires (refer to **Electrical Connections** on Page 5).
8. Secure mounting plate to junction box (hardware not included).
9. Secure the mounting canopy to the metal mounting plate with screws installed in step 5.
10. Place pipe nipple through the mounting hole in the fixture frame until the gasket is touching the frame. Thread a second nut onto the pipe nipple on the inside of the fixture frame to lock the canopy into place. Once locked into position there should not be any side-to-side movement on the canopy.
11. Remove proper chevron(s) from EXIT stencil. When removing chevrons, it may be helpful to remove the color diffuser panel to allow easier access to the chevrons. Remember to reinstall the diffuser panel once chevron(s) have been removed.
12. Connect battery to lamp board (refer to **Electrical Connections** on Page 5).
13. Secure (snap in) EXIT stencil to the fixture frame.
14. Attach the clear lens to fixture and secure using the screws previously removed.
15. Apply continuous AC power. See **Operation** section (on page 4) for instructions on testing the battery.

Fig. 3



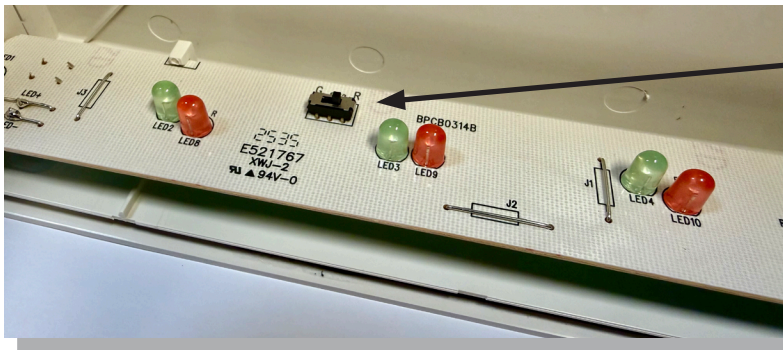
Conduit Entry

1. Drill a 3/4" hole through the desired conduit entry knock out located on the top or side of the frame of the sign.
2. Route the AC input conduit (not provided) into housing and secure using hex nuts.
3. All conduit connections must use UL LISTED and SUITABLE FOR WET LOCATION parts.
4. To finish installation of fixture, reference Wall or End Mount instructions.



Red to Green Conversion

1. Use a flathead screwdriver to loosen the screws on the lens.
2. Remove clear lens from the sign and set aside.
3. Remove the EXIT stencil(s) from the unit's housing.
4. Gently pop out the red diffuser lens from the EXIT stencil(s). Replace the green diffuser lens onto the faceplate(s).
5. Toggle the dip switch from R to G on the RED/GREEN switchable LED board.
6. Replace the EXIT stencil(s) and the clear lens on the housing to finish installation.



RED/GREEN switch located on LED circuit board

Operation

1. Apply AC power to the unit. With battery connected, the LED indicator will be RED.
2. After the battery has been left to charge for 24 hours, test the unit by pressing the silicone test tab next to "TEST" on the outside of housing. The LED indicator turns OFF, the LED board stays ON, and the lamp heads should turn ON at this time.
3. When you stop pressing the silicone test tab, the LED indicator turns back to RED, the LED board stays ON, and the lamp heads should turn OFF at this time.

NOTE: UL recommended maximum mounting height to achieve 1-fc illumination on the floor is 17-ft.

Maintenance

Caution: Always turn off AC power to the equipment before servicing. Servicing should be performed only by a qualified service technician. Use only MANUFACTURER supplied replacement parts.

BATTERY: The battery supplied requires no maintenance. However, it should be tested periodically and replaced when it no longer operates the connected sign for the duration of a 30-second or 90-minute test. The battery supplied in this sign has a life expectancy of 5 years when used in a normal ambient temperature of 72°F.

NFPA 101 (Life Safety Code) requires that all emergency lighting equipment be functionally tested every 30 days for a minimum of 30 seconds and tested annually for a full 90-minute duration. Written records of the testing are to be kept for examination by the authority having jurisdiction.

Electrical Connections

Note: Cap off the UNUSED input lead. Failure to do so can cause an unsafe operating condition.

- If using 120VAC, connect the black and white wires to the building utility.
- If using 277VAC, connect the red and white wires to the building utility

