

The VEX-WPCR-RG Series exit combo features a low-profile design with rounded corners and a compact form, giving it a clean, modern appearance. UL 924 listed for Wet Locations, the VEX-WPCR offers optional remote capability or cold location operation for added flexibility. It's an ideal solution for egress lighting in environments where splashing, dripping, or non-corrosive liquids may be present. The unit is easily field-switchable between red and green legends, simplifying installation while reducing inventory requirements. Perfect for offices, classrooms, corridors, and lobbies, the VEX-WPCR-RG Series offers a sleek, adaptable exit sign with integrated emergency lighting.

FEATURES & BENEFITS

- Two fully adjustable 1W lamp heads
- Optional remote capacity of up to 2W, compatible with **MLED** remote lamps
- Field-switchable red or green legend by toggling the interior dip switch, includes red and green diffusers
- Field-selectable directional chevrons
- Impact and UV-resistant polycarbonate faceplate with integral gasket to ensure ingress protection
- Constant, uniform illumination with 23' on-center spacing
- UL Listed 90 minute emergency run time, 24 hour recharge time
- UL Listed for Wet Locations
- California Energy Commission (CEC) compliant

SPECIFICATIONS

Illumination: Legend: Constant, uniform illumination by long life, high intensity, red or green field-switchable LEDs
Lamps: Two (2) fully adjustable long-life, high intensity LED lamp heads, 1W per head

Construction: Rugged, injection-molded UL 94 5VA flame retardant, polycarbonate housing and lens

Input: 120/277VAC Dual primary, 60Hz

Battery: NiCad Battery

Operating Temp: 0°C to 50°C (32°F to 122°F)
Cold Location (CL) down to -20°C (-4°F)

Run Time: UL listed 90-minute emergency run time, 24-hour recharge time

Mounting: Ceiling, wall, and end surface mount

Finishes: White, Black, and Gray

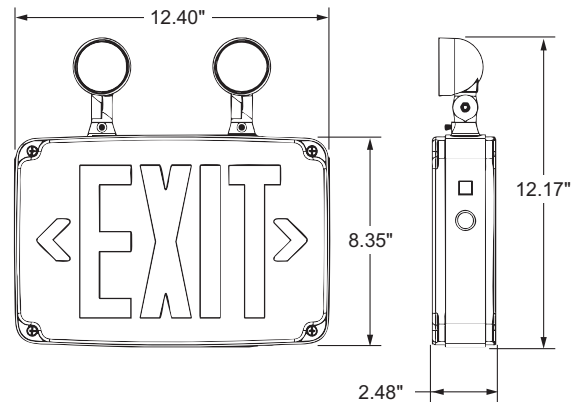
Certifications: UL 924 Listed for Wet Locations, meets or exceeds NEC requirements and NFPA 101, California Energy Commission (CEC) Compliant

Warranty: Any component that fails due to manufacturers defect is guaranteed for five years with a separate prorated battery warranty for the NiCad battery. The warranty does not cover physical damages, abuse or instances of uncontrollable natural forces. See the full Exitronix warranty document for detailed information.

Model: _____ Date: _____
Accessories: _____
Job Name: _____ Type: _____



Field-switchable red and green legends



ORDERING INFORMATION Example: VEX-WPCR-RG-U-WH-CL

Series	Style	Finish	Options
VEX-WPCR-RG	U ¹ = Universal Single or Double-face	BL = Black GR = Gray Finish w/White Faceplate WH = White	CL ² = Cold Location R ^{2,3} = Remote Capacity TRH = Tamper-Resistant Hardware
Notes			Accessories⁴ (Field Installed)
¹ Complete with (2x) faceplate and backplate ² CL and R option can not be combined ³ Compatible with MLED remote lamps ⁴ Order as separate line item			XG-6 = Poly Guard, Back Mount

ELECTRICAL RATING

Model	NiCad Battery	Brownout	Low Voltage Disconnect	Overload Disconnect	Short Circuit Disconnect	Solid State Transfer	Input				Output		Remote Capacity
							VAC	Hz	mA	W	Lamp Head	Lumen Output	
VEX-WPCR-RG	3.6V 3200 mAh	Yes	Yes	Yes	Yes	Yes	120V/277V	60	120	1.1	1.0W*2	84 lm	N/A
VEX-WPCR-RG-*-CL	3.6V 3200 mAh	Yes	Yes	Yes	Yes	Yes	120V/277V	60	120	1.1	1.0W*2	84 lm	N/A
VEX-WPCR-RG-*-R	3.6V 3200 mAh	Yes	Yes	Yes	Yes	Yes	120V/277V	60	120	1.1	1.0W*2	84 lm	2.0 W

CONSTRUCTION

The VEX-WPCR-RG series has an injection-molded enclosure constructed of UV-stabilized, UL 94 5VA flame-retardant, polycarbonate in white black or gray finish. The clear lens is constructed from high-impact, UV stabilized polycarbonate.

ILLUMINATION

Illumination of the VEX-WPCR-RG series is accomplished utilizing high-intensity, long life LEDs. LEDs are a maintenance-free solution.

ELECTRICAL

Input
120/277VAC @ 60Hz.

NiCad (Nickel Cadmium) Battery

Nickel cadmium batteries are maintenance-free.

Emergency

The VEX-WPCR-RG Series exit will operate for more than 90 minutes during a loss of power with a 24 hour maximum recharge time for the battery.

Test Button

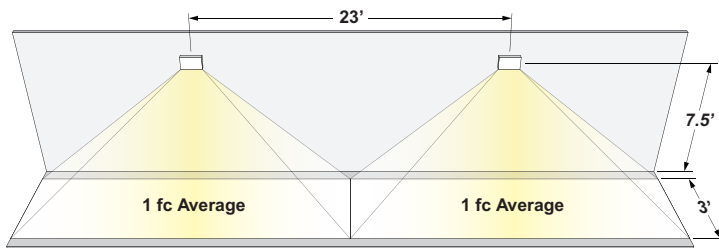
The test button is easy to locate and provides manual verification of the transfer circuit and emergency lamps.

ON-CENTER SPACING (Multiple units mounted at a typical 7.5 foot height)

Model	# of LED Lamps	3' Path, 6' Corridor
VEX-WPCR-RG-*	2	23'

*Applicable to all configurations

Barron assumes no responsibility for local requirements or specific project variables. This is a guideline to be used as a design aid, not as a guarantee of any code compliance.



INSTALLATION

Installs in minutes with easy-to-read instructions and detailed diagrams. No special hardware or tools necessary. Internally housed components and battery.

CONFORMANCE TO CODES & STANDARDS

The VEX-WPCR-RG Series is UL 924 Listed for Wet Locations. The series meets or exceeds the CEC and NEC requirements as well as NFPA 101.

OPTIONS

Cold Location (Option: CL)

The CL option extends the temperature range to -20°C – 50°C (-4°F to 122°F).

Remote Capable (Option: R)

The R option provides this unit with an additional 2W of remote power, compatible with **MLED** remote lamps.

Tamper-Resistant Hardware (Option: TRH)

8-32 x 5/8" stainless steel button cap Torx (T25) screws help prevent unauthorized access to the unit.