

DESCRIPTION

The ULHB Series linear highbay with uplight offers superior performance and energy-efficiency in a low-profile, compact design. An extremely flexible solution to fit any situation, this series offers CCT selection between 3000K, 3500K, 4000K, and 5000K, and 3 power level selections in lumen packages up to 60,000 lumens. The ULHB is available with multiple options and accessories including a 15% uplight module, general, aisle, and wide lens distribution, rotatable LED panels, and integral battery backup. This flexible highbay also offers convenient control accessories with LiteLogic Bluetooth® enabled plug and play sensors. It comes standard with 10' aircraft mounting cables and can be stem or pendant mounted with optional accessories. The ULHB highbay is ideal for retail, industrial, commercial, manufacturing, warehousing, gymnasium and any other large interior spaces that require uplight or adaptability. DesignLights Consortium® (DLC) PREMIUM Qualified for energy rebates.

SPECIFICATIONS

Construction:

- Die-formed steel housing in a white finish
- LED Panels adjust to 0°, 15°, and 30°
- Polycarbonate lens with a general 90° distribution, optional aisle lens distribution (60° x 90°), or optional wide lens distribution (110° x 110°)
- Easy lens replacement with toolless snap-on end caps
- Optional uplight modules provide 15% of fixture's wattage in uplight and install easily on top of enclosure with no wiring required
- Isolated central driver compartment optimizes thermal dissipation
- Built in 3.5mm AUX receptacle on the front cover for easy plug and play sensor installation
- 1/2" Knockout on both ends as well as in the central panel

Optics/LEDs:

- Standard general 90° distribution, optional aisle lens distribution (60° x 90°), or optional wide lens distribution (110° x 110°)
- Optional uplight modules provide 15% of fixture wattage in uplight
- All configurations are power and CCT switchable, switch located on top of enclosure; optional uplight modules match CCT setting
- Lumen packages from 12,000 to 60,000 lumens
 - 70W-90W-110W (12,000-15,000-18,000lm)
 - 140W-160W-180W (24,000lm, 27,000lm, 30,000lm)
 - 180W-230W-260W (32,000lm, 40,000lm, 48,000lm)
 - 285W-310W-340W (50,000lm, 55,000lm, 60,000lm)
- Color switchable between 3000K, 3500K, 4000K and 5000K CCT
- Efficacy up to 170lm/w
- CRI ≥80
- L70 > 50,000hrs

Installation:

- Toolless installation of uplight modules and aisle lens kits and wide angle lens kits
- 10' Adjustable cable mount kit included for suspension mount
- 1/2" Knockouts located at both ends of the unit
- AUX sensor receptacle built in the central front panel
- Can be surface or stem/pendant with the use of the surface/pendant mount kits
- Integral battery backup – factory installed
- Easily set wattage and CCT during installation using the adjustment switches located outside the housing

Model: _____ Date: _____
 Accessories: _____
 Job Name: _____ Type: _____



Adjustable LED Panels



Specs at a Glance				
Configuration	ULHB-110	ULHB-180	ULHB-260	ULHB-340
Wattage (W)*	70W-90W-110W Switchable	140W-160W-180W Switchable	180W-230W-260W Switchable	285W-310W-340W Switchable
Lumens (lm)	12000-15000-18000	24000-27000-30000	32000-40000-48000	50000-55000-60000
Efficacy (LPW)	170			
Distribution	General 90°, Optional Aisle Lens Distribution (60° x 90°) or Optional Wide Lens Distribution (110° x 110°)			
CCT (K)	3000K-3500K-4000K-5000K Switchable			
CRI	≥80			
Input Voltage	120-277VAC, 50/60Hz, 0-10V Dimmable			
Operating Temp	-20°C to 45°C (-4°F to 113°F)			
Certifications	UL Listed for Damp Locations, DLC PREMIUM			
Warranty	5 Years			
Weight	4.1lbs	5.5lbs	9.6lbs	9.6lbs

* Nominal wattage. Tested at 3000K CCT, 170Lm/W.

Note: Environment and application will affect performance. Typical values and 25°C used for testing. Specifications subject to change without notice.

Electrical:

- 120-277VAC, 50/60Hz
- Power Factor > 0.90
- 0-10V Dimming driver
- Built-in drive surge protection
 - ULHB-110/ULHB-180: L-N:4KV, L/N-PE:4KV
 - ULHB-260/ULHB-340: L/N:6KV, L/N-PE:6KV

Testing & Compliance:

- cULus Listed for Damp Locations
- DesignLights Consortium® (DLC) PREMIUM Qualified (consult QPL for qualified models)
- Meets state of California Title 24 requirements for dimming and control of light fixtures
- Operating temperatures: -20°C to 45°C (-4°F to 113°F) or 0°C to 45°C (32°F to 113°F) with battery backup

Options:

- Factory installed battery backup: 25W, delivers up to 4,250 lumens, 60W, delivers up to 10,200 lumens (ULHB-260 & ULHB-340) for 90 minutes of emergency powered illumination, mounted to top of unit. Rated for temperatures of 0°C to 45°C (32°F to 113°F)
- See accessories for plug and play sensors – fixture is provided with a receptacle to accept AUX based sensors

Accessories:

- Plug and Play Occupancy Sensors – receptacle built on the central front panel
- Dimming occupancy sensor, PIR, with daylight harvesting capabilities, 3.5mm AUX port (TL-MSP12)
- Litelogic Wireless Bluetooth PIR Sensor with daylight harvesting capabilities, 120/277VAC, 3.5mm AUX port (LE-MS3-AUX-HB1)
- Remote for TL-MSP12 occupancy sensor (TL-MSSW-REMOTE)
- Surface/pendant mounts allow for surface or conduit mount installation (ULHB-110/180-SPM, ULHB-260/340-SPM)
- Aisle Lens Kit with 60° x 90° beam angle (ULHB-110-AL, ULHB-180-AL, ULHB-260/340-AL)
- Wide Angle Lens Kit with 110° x 110° beam angle (ULHB-110-WL, ULHB-180-WL, ULHB-260/340-WL)
- Uplight Module (ULHB-XXX-UM)

Warranty:

- Five Year Warranty (Terms and Conditions Apply)

ORDERING INFORMATION (Example: ULHB-110-G-VS-CP)

Model	Wattage	Distribution	Input Voltage	CCT	Options (Factory Installed)
ULHB	110 = 70/90/110W	A = Aisle 60°X90° Distribution	VS = 120-277VAC	CP = CCT & Power Selectable	BB1 = 25W Battery Backup
	180 = 140/160/180W	G = General 90° Distribution			BB2 ¹ = 60W Battery Backup
	260 = 180/230/260W	W = Wide 110°x110° Distribution			
	340 = 285/310/340W				

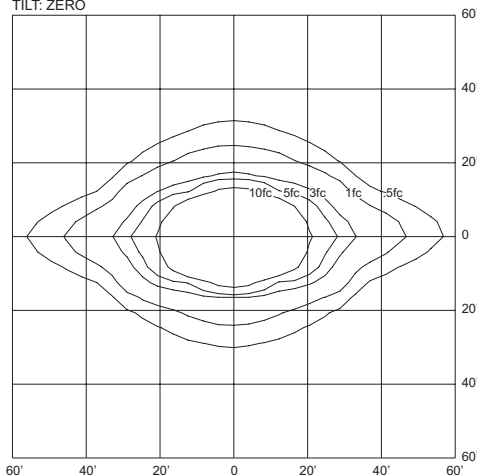
LiteLogic Accessories ² (Field installed)	LED Accessories ² (Field installed)
LE-MS3-AUX-HB1 = Bluetooth Enabled Dimming Occupancy Sensor, PIR	ULHB-110-UM = 2 Uplight Modules for ULHB-110
LE-SW2 = Bluetooth Enabled, 5-Button, Battery Powered Wall Switch	ULHB-180-UM = 2 Uplight Modules for ULHB-180
LE-SW3 = Bluetooth Enabled, 3-Button, Line Voltage Wall Switch (Neutral Required)	ULHB-260-UM = 2 Uplight Modules for ULHB-260
LE-SW4 = Bluetooth Enabled, 7-Button, Line Voltage Wall Switch (Neutral Required)	ULHB-340-UM = 2 Uplight Modules for ULHB-340
LE-WP = Wallplate for LE-SW2, White	
TL-MSP12 = Dimming Occupancy Sensor, PIR	Lens Accessories ² (Field installed)
TL-MSSW-REMOTE = Remote for SC Dimming Sensor	ULHB-110-AL = Aisle 60°X90° Lens Kit for ULHB-110
	ULHB-180-AL = Aisle 60°X90° Lens Kit for ULHB-180
	ULHB-260/340-AL = Aisle 60°X90° Lens Kit for ULHB-260 & ULHB-340
	ULHB-110-WL = Wide 110°X110° Lens Kit for ULHB-110
	ULHB-180-WL = Wide 110°X110° Lens Kit for ULHB-180
	ULHB-260/340-WL = Wide 110°X110° Lens Kit for ULHB-260 & ULHB-340

Notes	Mounting Accessories ² (Field installed)
¹ Compatible with ULHB-260 & ULHB-340	ULHB-110/180-SPM = Surface and Pendant Mount Kit for ULHB-110 & ULHB-180
² Order as a separate line item, shipped in a separate box for installation in the field	ULHB-260/340-SPM = Surface and Pendant Mount Kit for ULHB-260 & ULHB-340

SAMPLE PHOTOMETRY

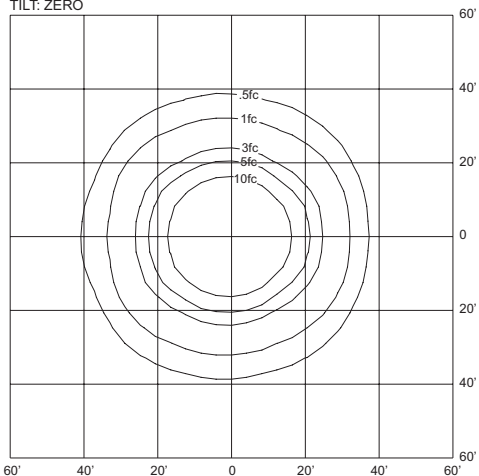
ULHB-180 (Aisle Distribution, 180W, 4000K)

IES: TYPE II VERY SHORT
MOUNTING HEIGHT: 20'
TILT: ZERO



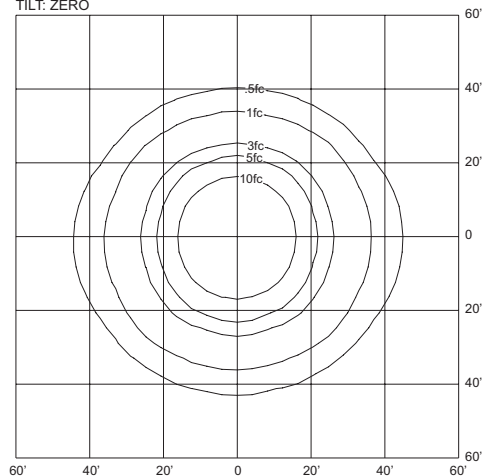
ULHB-180 (General Distribution, 180W, 4000K)

IES: TYPE VS VERY SHORT
MOUNTING HEIGHT: 20'
TILT: ZERO



ULHB-180 (Wide Distribution, 180W, 4000K)

IES: TYPE VS VERY SHORT
MOUNTING HEIGHT: 20'
TILT: ZERO



Specifications are subject to change without notice.
Installation must be performed in accordance with
Barron Lighting Group installation instructions.

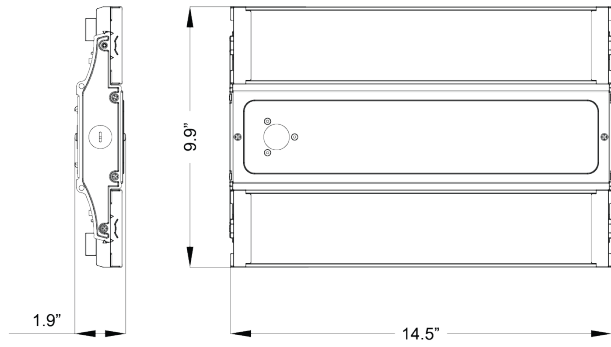
PERFORMANCE DATA

Model	Wattage	CCT	Lumens	LPW	CRI	DLC Classification
ULHB-110-G-VS-CP (70W, 3000K)	70W	3000K	12410	173	80	High-Bay Luminaires for Commercial and Industrial Buildings (PREMIUM)
ULHB-110-G-VS-CP (70W, 3500K)	70W	3500K	13064	182	80	
ULHB-110-G-VS-CP (70W, 4000K)	70W	4000K	13064	182	80	
ULHB-110-G-VS-CP (70W, 5000K)	70W	5000K	13064	182	80	
ULHB-110-G-VS-CP (90W, 3000K)	90W	3000K	15824	169	80	
ULHB-110-G-VS-CP (90W, 3500K)	90W	3500K	16657	178	80	
ULHB-110-G-VS-CP (90W, 4000K)	90W	4000K	16657	178	80	
ULHB-110-G-VS-CP (90W, 5000K)	90W	5000K	16657	178	80	
ULHB-110-G-VS-CP (110W, 3000K)	110W	3000K	18811	168	80	
ULHB-110-G-VS-CP (110W, 3500K)	110W	3500K	18630	170	80	
ULHB-110-G-VS-CP (110W, 4000K)	110W	4000K	18727	171	80	
ULHB-110-G-VS-CP (110W, 5000K)	110W	5000K	17178	126	80	
ULHB-180-G-VS-CP (140W, 3000K)	140W	3000K	23939	170	80	High-Bay Luminaires for Commercial and Industrial Buildings (PREMIUM)
ULHB-180-G-VS-CP (140W, 3500K)	140W	3500K	25199	179	80	
ULHB-180-G-VS-CP (140W, 4000K)	140W	4000K	25199	179	80	
ULHB-180-G-VS-CP (140W, 5000K)	140W	5000K	25199	179	80	
ULHB-180-G-VS-CP (160W, 3000K)	160W	3000K	27315	168	80	
ULHB-180-G-VS-CP (160W, 3500K)	160W	3500K	28753	177	80	
ULHB-180-G-VS-CP (160W, 4000K)	160W	4000K	28753	177	80	
ULHB-180-G-VS-CP (160W, 5000K)	160W	5000K	28753	177	80	
ULHB-180-G-VS-CP (180W, 3000K)	180W	3000K	30259	165	80	
ULHB-180-G-VS-CP (180W, 3500K)	180W	3500K	30270	167	80	
ULHB-180-G-VS-CP (180W, 4000K)	180W	4000K	30478	168	80	
ULHB-180-G-VS-CP (180W, 5000K)	180W	5000K	29459	135	80	
ULHB-260-G-VS-CP (180W, 3000K)	180W	3000K	34299	171	80	High-Bay Luminaires for Commercial and Industrial Buildings (PREMIUM)
ULHB-260-G-VS-CP (180W, 3500K)	180W	3500K	36105	180	80	
ULHB-260-G-VS-CP (180W, 4000K)	180W	4000K	36105	180	80	
ULHB-260-G-VS-CP (180W, 5000K)	180W	5000K	36105	180	80	
ULHB-260-G-VS-CP (230W, 3000K)	230W	3000K	42060	167	80	
ULHB-260-G-VS-CP (230W, 3500K)	230W	3500K	44274	176	80	
ULHB-260-G-VS-CP (230W, 4000K)	230W	4000K	44274	176	80	
ULHB-260-G-VS-CP (230W, 5000K)	230W	5000K	44274	176	80	
ULHB-260-G-VS-CP (260W, 3000K)	260W	3000K	47479	170	80	
ULHB-260-G-VS-CP (260W, 3500K)	260W	3500K	47258	171	80	
ULHB-260-G-VS-CP (260W, 4000K)	260W	4000K	47557	172	80	
ULHB-260-G-VS-CP (260W, 5000K)	260W	5000K	45732	132	80	
ULHB-340-G-VS-CP (285W, 3000K)	285W	3000K	49309	167	80	High-Bay Luminaires for Commercial and Industrial Buildings (PREMIUM)
ULHB-340-G-VS-CP (285W, 3500K)	285W	3500K	51905	176	80	
ULHB-340-G-VS-CP (285W, 4000K)	285W	4000K	51905	176	80	
ULHB-340-G-VS-CP (285W, 5000K)	285W	5000K	51905	176	80	
ULHB-340-G-VS-CP (310W, 3000K)	310W	3000K	52986	166	80	
ULHB-340-G-VS-CP (310W, 3500K)	310W	3500K	55775	175	80	
ULHB-340-G-VS-CP (310W, 4000K)	310W	4000K	55775	175	80	
ULHB-340-G-VS-CP (310W, 5000K)	310W	5000K	55775	175	80	
ULHB-340-G-VS-CP (340W, 3000K)	340W	3000K	59136	166	80	
ULHB-340-G-VS-CP (340W, 3500K)	340W	3500K	58771	167	80	
ULHB-340-G-VS-CP (340W, 4000K)	340W	4000K	59239	169	80	
ULHB-340-G-VS-CP (340W, 5000K)	340W	5000K	58445	165	80	

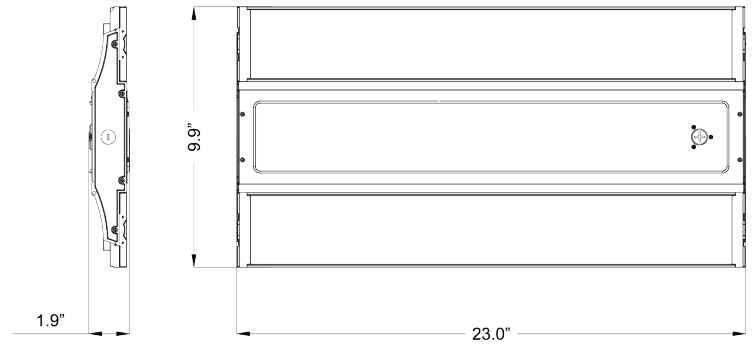
Specifications are subject to change without notice.
 Installation must be performed in accordance with
 Barron Lighting Group installation instructions.

DIMENSIONS

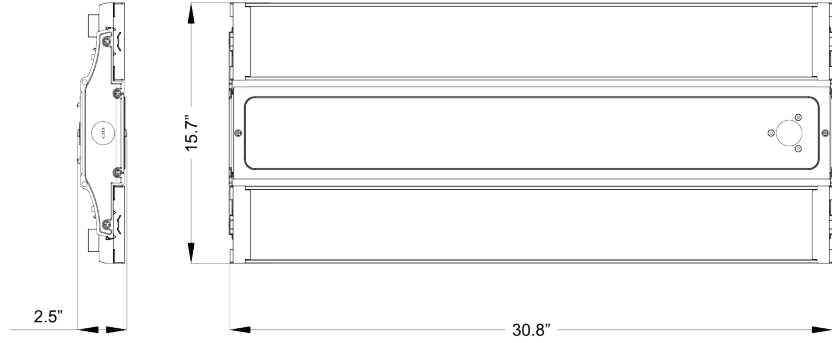
ULHB-110



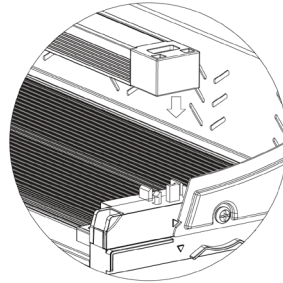
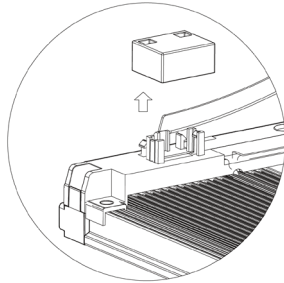
ULHB-180



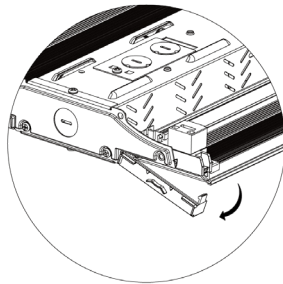
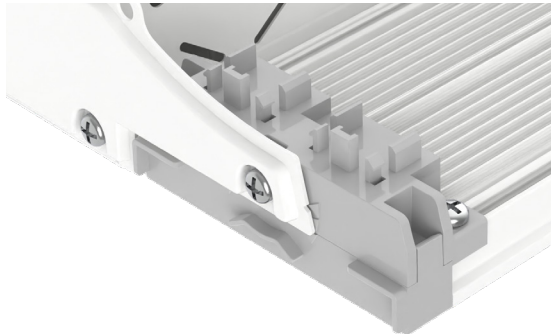
ULHB-260 & ULHB-340



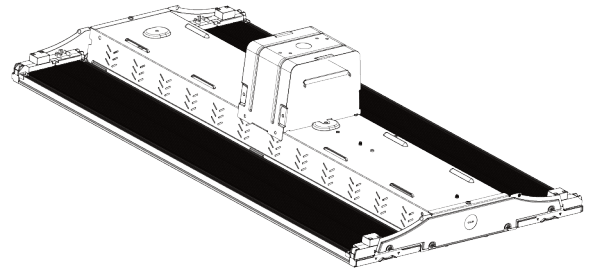
LED ACCESSORY DETAILS (ULHB-XXX-UM)



LENS ACCESSORY DETAIL (ULHB-XX-AL, ULHB-XX-WL)



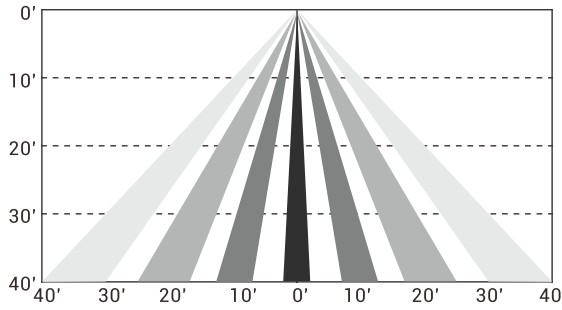
MOUNTING ACCESSORY DETAIL (ULHB-XXX/XXX-SPM)



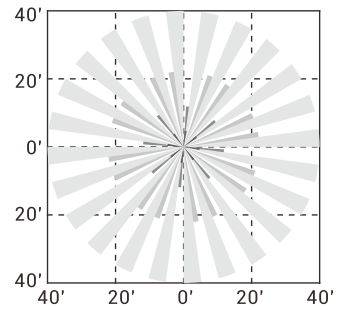
LE-MS3-AUX SENSOR DETAILS (BLUETOOTH ENABLED) [Click here for sensor details](#)



Coverage Side View



Coverage Top View (40')



SEE APP FOR SENSOR SETTINGS

For a complete list of *litelogic* compatible products, [click here](#).



Get it from the **App Store**



Get it from **Google Play**

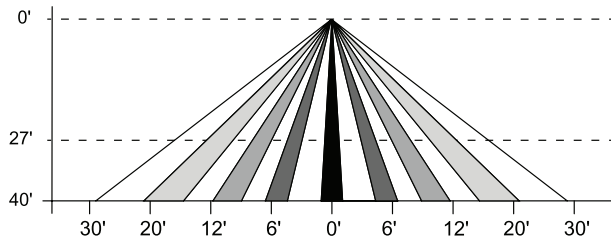


Note: Bluetooth sensor controls do not allow for CCT selection using the app. CCT must be manually selected on the fixture.

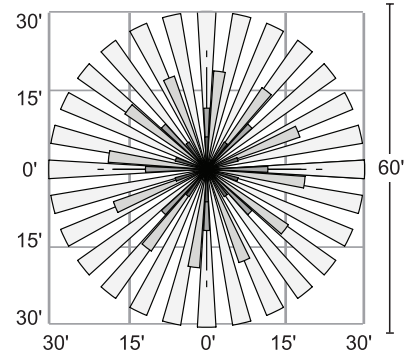
TL-MSP12 SENSOR DETAILS



Coverage Side View



Coverage Top View



360° Coverage

TLMSP12 Sensor Settings (TL-MSSW-REMOTE)

DETECTION RADIUS/ANGLE	MAX 60'/360°
MOUNTING HEIGHT	MAX 40'
REMOTE RANGE	MAX 33'
FREQUENCY	5.8 GHz
HIGH MODE	70%, 80%, 90%, 100% (DEFAULT 100%)
SENSITIVITY	20%, 50%, 75%, 100% (DEFAULT 100%)
HOLD TIME	10sec, 1min, 5min, 10min, 15min, 20min, 30min, 60min (DEFAULT 5min)
DAYLIGHT HARVESTING	, 10Lux, 30Lux, 50Lux, 100Lux, 300Lux, 500Lux (DEFAULT disabled)
STANDBY DIM SETTING	0%, 10%, 30%, 50% (DEFAULT 30%)
STANDBY TIME SETTING (TO OFF)	, 1min, 30min, 60min (DEFAULT 30min)



TL-MSSW-REMOTE (Sold Separately)