

DESCRIPTION

The UDC Series 4" architectural cylinder is the ultimate solution for versatile, customizable illumination. This innovative fixture offers field-switchable downlighting and uplighting capabilities, as well as field-switchable CCT (3000K-4000K-5000K) and power (12W-16W-20W) all in one package. With energy-efficient, long-life LEDs offering up to 2,100 lumens and featuring dual light sources for both up and down accent lighting, the UDC Series ensures a perfect blend of functionality and aesthetics. It comes standard with 3 sets of in-the-box reflectors that enable you to easily choose between a 25°, 40°, or 60° beam angle. Housed within a sleek, single enclosure designed for superior thermal performance, the UDC Series is equally suited for interior or external applications. Whether you're illuminating walkways, stairways, or accentuating architectural features, the UDC delivers years of maintenance-free brilliance, offering endless possibilities for creating captivating environments.

SPECIFICATIONS

Construction:

- 4" Diameter cylinder, die-cast aluminum housing with powder coated finish
- Glass lenses and aluminum reflector on both ends
- Easily accessible switches in the back
 - Up, down, or up and down light selection
 - CCT selection
 - Power selection
 - Photocontrol (on/off)

Optics/LEDs:

- Field-switchable between 3000K, 4000K, and 5000K
- Field-switchable between 12W, 16W and 20W providing up to 2,100 lumens (up & down, output is halved if up or down only is selected)
- Swappable reflectors for 25°, 40°, or 60° beam angle included in packaging (60° pre-installed)
- CRI ≥ 90
- L70 >100,000 hours
- L90 ≥ 88,000 hours

Electrical:

- Field-switchable between 12W, 16W, and 20W
- 120-277V, 50-60Hz
- 0-10V Dimming

Installation:

- Mounts to a standard 3-1/2" or 4" square electrical J-box
- Housing mounts to backplate for ease of installation
- CCT, Power, Photocontrol, and Up/down light selection switches located within coinplugs on either side

Testing & Compliance:

- cULus Listed for Wet Locations
- IP65 Rated
- Operating temperatures: -40°C to 45°C (-40°F to 113°F)

Ordering Information (Example: UDC-20-VS-CP-BR)

Model	Description
UDC-20-VS-CP-BR	LED Wallpack, 4" Up/Down Cylinder, Power Switchable 12W/16W/20W, Color Switchable 3000K/4000K/5000K CCT, Includes 25/40/60° Reflectors, 120-277VAC, 0-10V Dimming, Bronze Finish
UDC-20-VS-CP-BL	LED Wallpack, 4" Up/Down Cylinder, Power Switchable 12W/16W/20W, Color Switchable 3000K/4000K/5000K CCT, Includes 25/40/60° Reflectors, 120-277VAC, 0-10V Dimming, Black Finish
UDC-20-VS-CP-SV	LED Wallpack, 4" Up/Down Cylinder, Power Switchable 12W/16W/20W, Color Switchable 3000K/4000K/5000K CCT, Includes 25/40/60° Reflectors, 120-277VAC, 0-10V Dimming, Silver Finish

Model: _____ Date: _____
 Accessories: _____
 Job Name: _____ Type: _____



Specs at a Glance	
Model	UDC-20
Wattage (Nominal)	12W-16W-20W (Switchable)
Lumens (lm)	1,140 - 2,100
CCT (K)	3000K-4000K-5000K (Switchable)
Distribution	25°, 40° or 60° (pre-installed) Field Swappable
CRI	>90
Input Voltage	120-277VAC, 50-60Hz
Operating Temp	-40°C to 45°C (-40°F to 113°F)
Certifications	UL Listed for Wet Locations IP65 Rated
Warranty	5 Years

Note: Environment and application will affect actual performance. Typical values and 25°C used for testing.

Warranty:

- Five Year Warranty (Terms and Conditions Apply)

Accessories ¹ (Field Installed)	Notes
UDC-4-SQ-BR ² = UDC Series, Rectangular Shroud for 4" Cylinder, Bronze Finish	¹ Order as a separate line item ² Consult factories for other finishes, longer lead time may apply

Performance Table

Model	Wattage	CCT	Lumens (Combined up & down output)	LPW
UDC-20-VS-CP-BR (20W, 3000K)	20W	3000K	1,900	95
UDC-20-VS-CP-BR (20W, 4000K)	20W	4000K	2,100	105
UDC-20-VS-CP-BR (20W, 5000K)	20W	5000K	2,100	105
UDC-20-VS-CP-BR (16W, 3000K)	16W	3000K	1,520	95
UDC-20-VS-CP-BR (16W, 4000K)	16W	4000K	1,680	105
UDC-20-VS-CP-BR (16W, 5000K)	16W	5000K	1,680	105
UDC-20-VS-CP-BR (12W, 3000K)	12W	3000K	1,140	95
UDC-20-VS-CP-BR (12W, 4000K)	12W	4000K	1,260	105
UDC-20-VS-CP-BR (12W, 5000K)	12W	5000K	1,260	105

Sample Photometry

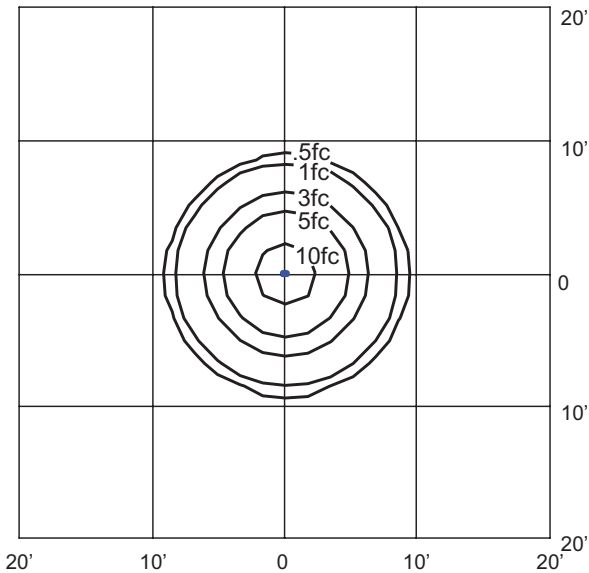
UDC-20-VS-CP (10W, 5000K, 60°, Up or Down)

IES: TYPE III Very Short

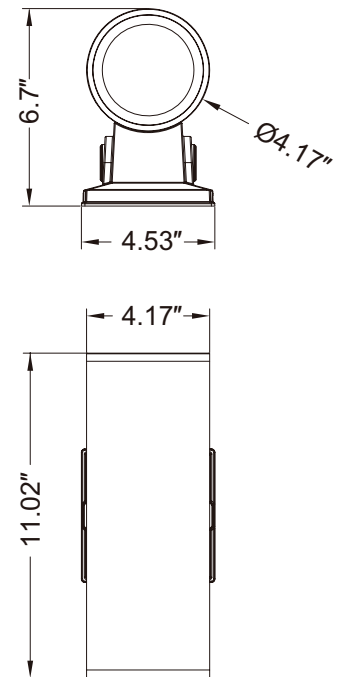
MOUNTING HEIGHT: 10'

TILT: ZERO

HORIZONTAL SPACING CRITERIA: 2.40



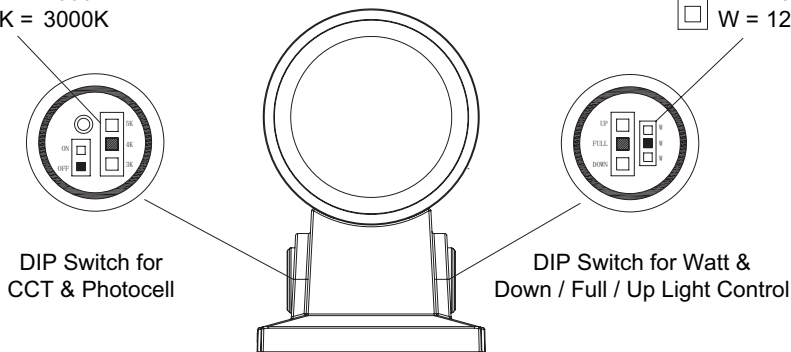
Dimensions



Switch Settings

- 5K = 5000K
- 4K = 4000K
- 3K = 3000K

- W = 20
- W = 16
- W = 12



Accessory (Sold separately for field installation)



UDC-4-SQ-BR Rectangular Shroud

Specifications are subject to change without notice. Installation must be performed in accordance with Barron Lighting Group installation instructions.