

The Triton TRL-G3 LED Series is an indoor or outdoor, die-cast, architectural, high-performance LED fixture designed to work in emergency lighting and combined general/emergency lighting applications.

The **GUARDIAN G3** remote monitoring and reporting system from Exitronix simplifies code compliance and significantly reduces operating and maintenance costs by offering automated testing, remote monitoring and reporting of emergency fixture status from a centralized location. For standard fixtures without remote monitoring and reporting, [click here](#).

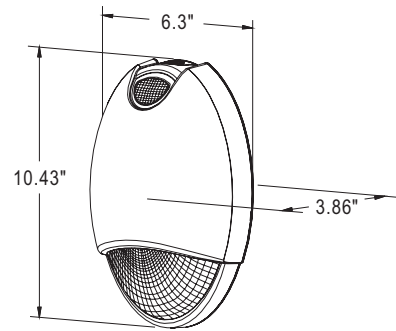
FEATURES & BENEFITS

- Includes GUARDIAN G3 self-test/self-diagnostics with remote monitoring and reporting
- Switchable AC operation for use as dusk to dawn with photocontrol option or use of a normally open switch
- 90 minute emergency run time, 24 hour recharge time
- A 1/2 inch NPT threaded conduit opening is provided at the top of the enclosure and sealed with a closure plug
- Optional cold weather (CL) package -20°C to 50°C (-4°F to 122°F)
- UL Listed for Wet Locations

SPECIFICATIONS

- Illumination:** Two (2) long lasting, energy efficient, ultra-bright white 6W, 5000K CCT LED
- Housing:** Low-profile, streamlined, die-cast aluminum housing
- Input:** 120-277VAC Dual primary, 60Hz
- Battery:** Maintenance-free NiCad battery
- Operating Temp:** 0°C to 50°C (32°F to 122°F) or optional cold weather (CL) package -25°C to 50°C (-13°F to 122°F)
- Run Time:** UL Listed 90 minute emergency run time, 24 hour recharge time
- Electrical:** Low voltage disconnect, overload disconnect, short circuit disconnect, solid state transfer
- Mounting:** Surface wall mount, universal J-box mounting pattern or surface wiring through top conduit power feed
- Finishes:** Black, dark bronze, silver or white
- Options:** CL - Cold Location package, suitable for temperatures from -20°C to 50°C (-4°F to 122°F)
- Certifications:** UL Listed for Wet Locations, meets or exceeds UL 924, NEC requirements and NFPA 101
- Warranty:** Any component that fails due to a manufacturing defect is guaranteed for five years with a separate five year prorated warranty on the battery. The warranty does not cover physical damage, abuse or instances of uncontrollable natural forces. See the full Exitronix warranty document for detailed information. (Terms and Conditions Apply)

Model: _____ Date: _____
 Accessories: _____
 Job Name: _____ Type: _____

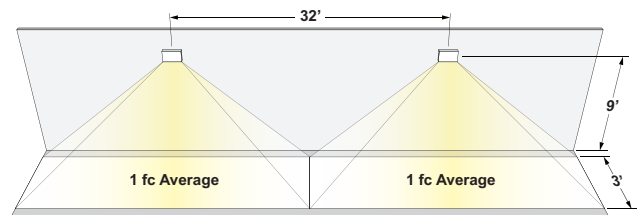


ON-CENTER SPACING

(Multiple units mounted at a typical 9 foot height)

Model	# of LED Lamps	3' Path, 6' Corridor	6' Path, 6' Corridor
TRL-ACEM	1	32' (9'MH)	30' (9'MH)

Barron assumes no responsibility for local requirements or specific project variables. This is a guideline to be used as a design aid, not as a guarantee of any code compliance.



ORDERING INFORMATION Example: TRL-ACEM-BR-G3-CL For standard fixtures without remote monitoring and reporting, [click here](#).

Series	Product Category	Finish	Self-test/Self-diagnostics
TRL	ACEM ¹ = Normally on w/Emergency Lighting	BL = Black	G3 ² = Self-test/Self-diagnostics, Remote Monitoring and Reporting
		BR = Dark Bronze	G3PRO ^{2,3} - Self-test/Self-diagnostics, Remote Monitoring and Reporting w/Automated Email Notifications
		SA = Silver	
		WH = White	Options (Factory Installed)
			CL = Cold Location Package

Accessories ³ (Field installed, order as separate line item)	G3 and G3PRO Accessories ³ (Field installed, order as separate line item)
IHB = I-Beam and Pole Mounting Bracket	GTWY-PRIMARY = Primary Remote Reporting Gateway
WG-S = Wire Guard (Back Mount)	GTWY-SECONDARY = Secondary Remote Gateway, Extends Range
WPV-2 = Wet Location/Vandal Guard (Back Mount)	ROUTER = Wireless Internet Router
	NETWORK-SWITCH-XX = (XX = Specify 5, 8, 16, or 24 Port Switch)
	TAB11 = 11" Tablet, Includes Guardian G3 Software
	TAB12 = 12.4" Tablet, Includes Guardian G3 Software
	WALLBRK-LOCKXX = Locking Wall Bracket (XX = Specify 11" or 12" Tablet)

Notes

¹ "Normally off" standby battery backup operation is available. See instructions for details.

² Requires additional equipment, consult factory for details

³ Requires internet connection, Wi-Fi or cellular modem supplied by facility

⁴ Order as separate line item

ELECTRICAL RATINGS

Model	Operating Mode	NiCad Battery	Brownout	Low Voltage Disconnect	Overload Disconnect	Short Circuit Disconnect	Solid State Transfer	Input			Output	
								VAC	Hz	W	Lamp Head	Flux(lm) 5000k
TRL-ACEM-G3-CL	AC and Emergency	4.8V 1.8Ah	N/A	Yes	Yes	Yes	Yes	120-277	60	15W	11W	1200 (AC Mode)
												280 (EM Mode)

CONSTRUCTION

Our Triton LED Series offers a decorative, low-profile, architectural design with die-cast aluminum housing and durable powder coated finishes in silver and dark bronze. The Triton LED Series can be switched on and off by the integrated photocontrol or by a normally open switch while maintaining UL 924 compliance. The unit features a fully sealed and gasketed enclosure for Damp and Wet Location applications.

ILLUMINATION

Units come standard with a two (2) 6W high-performance LED featuring 1200 lumens in AC mode and 280 lumens in emergency backup mode, 5000K CCT and a CRI of 70. Features a UV-stable mirror-bright reflector and prismatic polycarbonate refractor for ideal light output.

ELECTRICAL

Input

Dual-voltage input 120-277VAC @ 60Hz.

Nickel Cadmium Battery - NiCad

Exitronix NiCad batteries are maintenance-free.

Emergency

The Triton LED will operate for a minimum of 90 minutes during a loss of power with a 24 hour maximum recharge time for the battery.

Test Button

The test button is easy to locate and provides manual verification of the transfer circuit and emergency lamps.

INSTALLATION

Universal J-box mounting pattern or surface wiring through the top conduit power feed make installation quick and easy.

GUARDIAN G3 Self-test/Self-diagnostics, Remote Monitoring and Reporting

The circuit continuously monitors the operating condition of the AC power, battery supply voltage and charging circuit.

The purpose of this option is to provide visual signaling in response to a fault at the EXIT sign battery and/or battery charger. If a failure is detected, visual status will occur immediately via the dual color LED. Refer to instruction manual for detailed information.

The circuit also monitors the transfer circuit as well as performing automatic code compliance testing.

The GUARDIAN G3 remote monitoring and reporting system provides wireless communication between emergency fixtures, enabling maintenance personnel to maintain and test emergency lighting equipment from a central location. System requires additional equipment and setup, consult factory for more information.

GUARDIAN G3PRO Self-test/Self-diagnostics, Remote Monitoring and Reporting with Automated Email Notifications

The G3PRO model has the features of the standard G3 but adds automated email notifications of fixture status reports (requires internet connection, Wi-Fi or cellular modem supplied by facility).

OPTIONS

Cold Location Rated (Option: CL)

Suitable for temperature ranges from -20°C to 50°C (-4°F to 122°F). This is ideal for colder climates or freezer/cold room applications.

CONFORMANCE TO CODES & STANDARDS

The Triton LED Series is UL Listed for Wet Locations and meets or exceeds the following: UL 924, NEC requirements and NFPA 101.