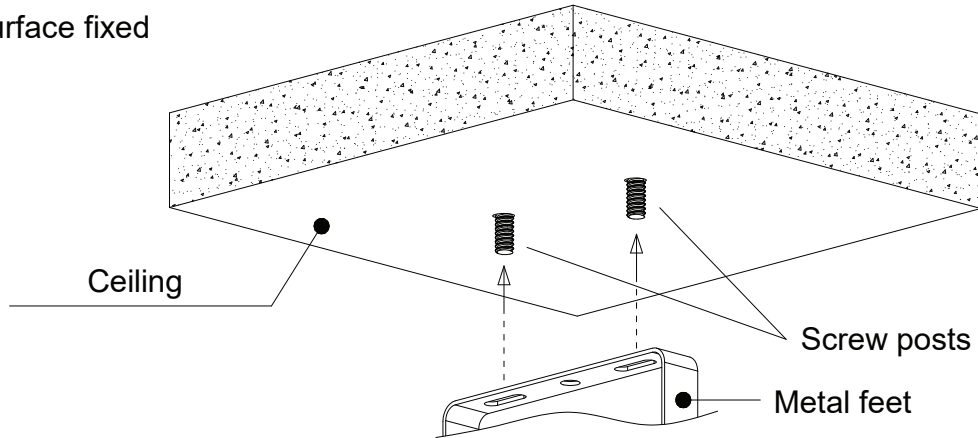
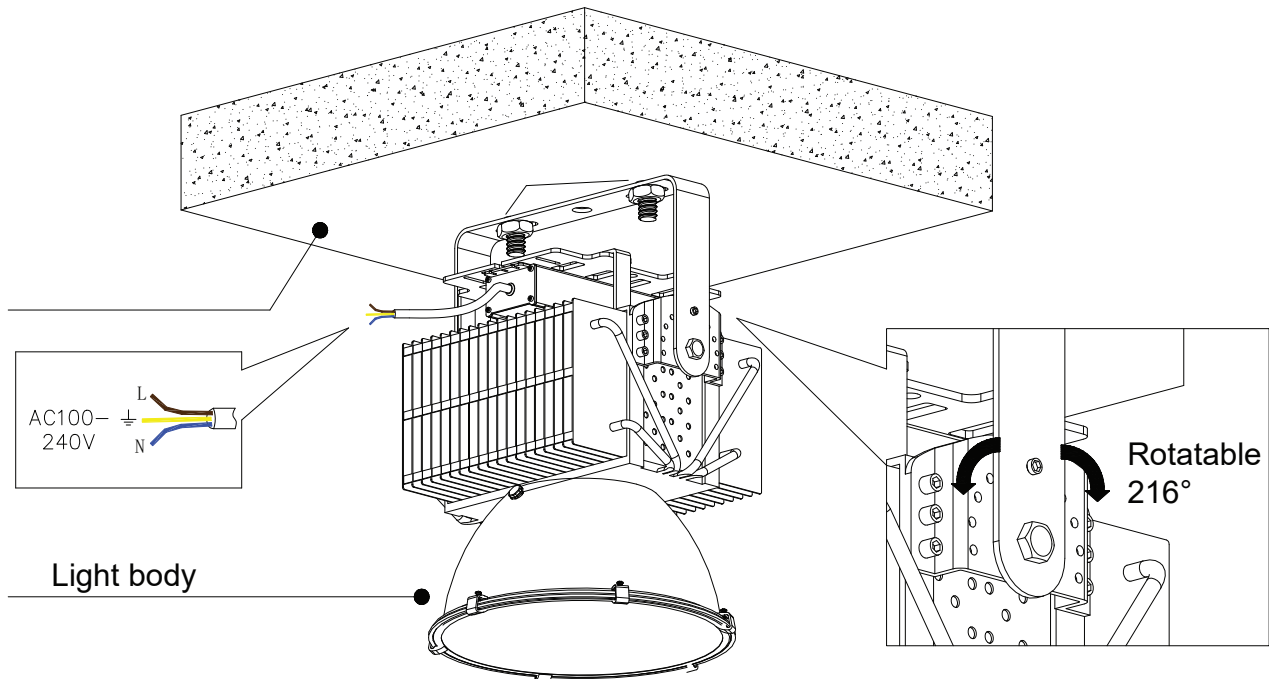


Installation Guide

Surface fixed



Step1-1: According to the space between two holes(in the metal feet) to drill two holes in the ceiling, then install the screw posts.



Step1-2: Adjust the angle of light body(0-216°), then, insert the screws in the holes(two sides), lock the nut, connect the wire with AC90-277V, It can work at last.