



IMPORTANT SAFEGUARDS READ AND FOLLOW ALL SAFETY INSTRUCTIONS.

When using electrical equipment, basic safety precautions should always be followed including the following:

- **DISCONNECT AC POWER SUPPLY BEFORE SERVICING.**
- Installation and servicing of this equipment should be performed by qualified service personnel only.
- Ensure that the electrical wiring conforms to the National Electrical Code NEC® and local regulations if applicable.
- Do not mount near gas or electrical heaters.
- Equipment should be mounted in locations and at heights where it will not be readily subjected to tampering by unauthorized personnel.
- The use of accessory equipment not recommended by the manufacturer may cause an unsafe condition.
- Any modification or use of non-original components will void the warranty and product liability.
- Do not use this equipment for other than intended use.
- Luminaire is designed to operate in ambient temperatures ranging from -40°C to 40°C (40°F to 104°F) and to be horizontally mounted with the LEDs facing down.

SAVE THESE INSTRUCTIONS!

Technical Support ■ (623) 580-8943 ■ technicalsupport@barronltg.com

Junction Box Installation

1. Loosen the two (2) set screws found on the bottom of the fixture housing. (Fig. 1)
2. Remove the quick mount bracket from the fixture and attach it to the junction box with the appropriate hardware (not included). (Fig. 2)
3. Route AC supply leads through the center hole on the backplate, then make the proper wire connections. Connect the white wire to neutral. Connect the black wire to the hot lead. Refer to the **Electrical Connections** section.
4. Feed excess wire into the junction box.
5. Lift the fixture and tilt slightly toward the quick mount bracket. Hook the fixture housing onto the quick mount bracket as shown. Take care not to pinch any wires. (Fig. 3)
6. Tighten the two (2) set screws to secure the fixture housing to the quick mount bracket. (Fig. 4)
7. Restore power and check that the fixture is functioning properly.

IMPORTANT: Weatherproof your outdoor installation. Be sure to seal all holes in the enclosure, such as the mounting, conduit and plugs with silicone sealant. Apply sealant across top edge of the wallpack to prevent water from reaching the back of the housing.

Fig. 1

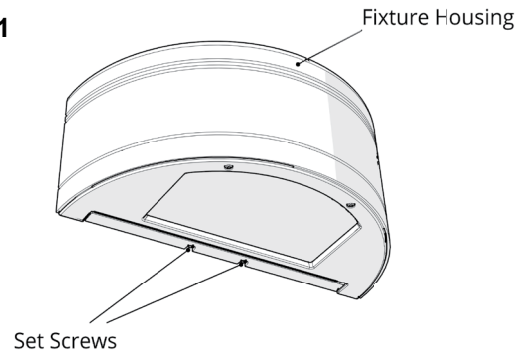


Fig. 2

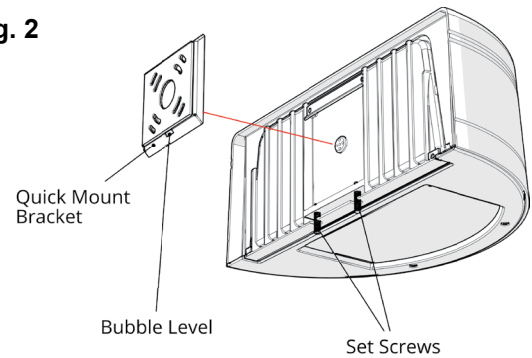


Fig. 3

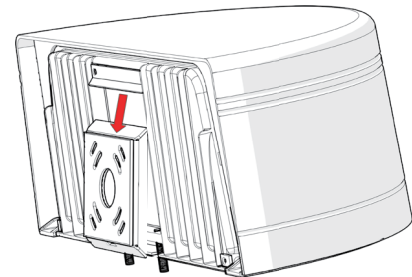
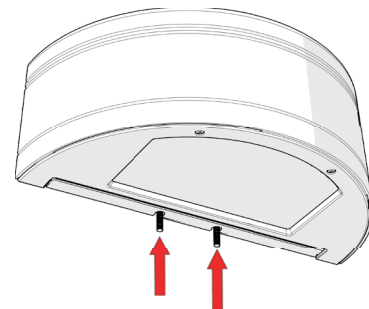
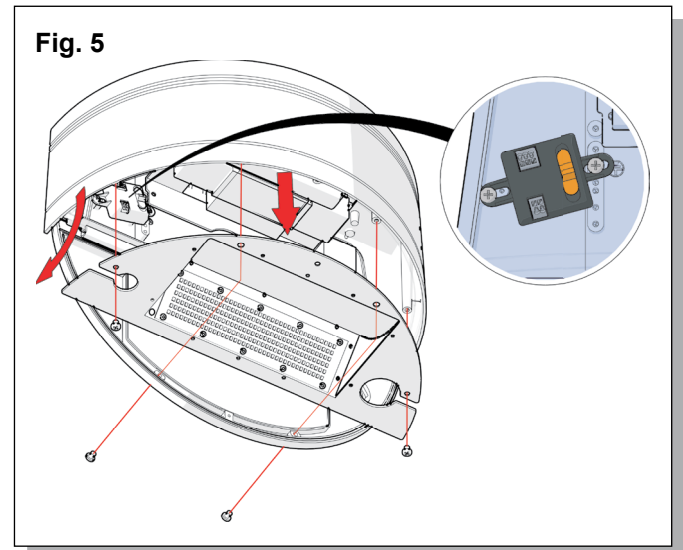


Fig. 4



Wattage/CCT Adjustment

1. With the supply power off, open the bottom cover and carefully detach the LED reflector assembly. Adjust the fixture to the desired wattage and CCT by sliding the switch on the FAO controller. (Fig. 5)
2. Reattach the LED reflector assembly and close the bottom cover. Restore power and check that the fixture is functioning properly.



Electrical Connections

All electrical connections should be made inside the J-box. Make electrical connections as follows:

120-277VAC

White - Common

Black - AC Line

Note: Cap unused leads to prevent shorting.

