



IMPORTANT SAFEGUARDS READ AND FOLLOW ALL SAFETY INSTRUCTIONS.

When using electrical equipment, basic safety precautions should always be followed including the following:

- **DISCONNECT AC POWER SUPPLY BEFORE SERVICING.**
- Installation and servicing of this equipment should be performed by qualified service personnel only.
- Ensure that the electrical wiring conforms to the National Electrical Code NEC® and local regulations if applicable.
- Do not mount near gas or electrical heaters.
- Equipment should be mounted in locations and at heights where it will not be readily subjected to tampering by unauthorized personnel.
- The use of accessory equipment not recommended by the manufacturer may cause an unsafe condition.
- Any modification or use of non-original components will void the warranty and product liability.
- Do not use this equipment for other than intended use.
- Allow battery to charge for 24 hours before first use.
- For use with metal enclosed wiring systems.

SAVE THESE INSTRUCTIONS!

Technical Support ■ (623) 580-8943 ■ technicalsupport@barronltg.com

SLW Series

Installation Instructions

Wall Mount Installation (Fig. 3)

1. Insert a flat blade screwdriver into the two slots to remove front cover from backplate. (Fig. 1).
2. Remove knockout from center of backplate and route wires through the hole. (Fig. 2)
3. Remove appropriate knockouts on backplate and mount to junction box.
4. Connect the fixture wires to the power supply wires using the wire nuts provided. Connections should be made inside junction box. Connect the white wire to neutral and black wire to the hot lead. Refer to **Wiring Diagram** section. (Fig. 5)
5. Return connected wires back into junction box then snap the front cover to backplate.

IMPORTANT: Weatherproof your outdoor installation. Be sure to seal all holes in the enclosure, such as the mounting, conduit, plugs, sensors, and photocontrols with silicone sealant. Apply sealant across top edge of the wall pack between the back enclosure and the mounting surface to prevent water from reaching the back of the enclosure.

Conduit Mount Installation

1. Remove the 1/2" NPT conduit plug from the top of the fixture.(Fig. 2)
2. Open unit, secure unit on conduit and feed wire into the fixture.
3. Reference steps 4-5 from Wall Mount Installation.

Luminaire ON/OFF Controls

There are 2 default ON/OFF controls settings:

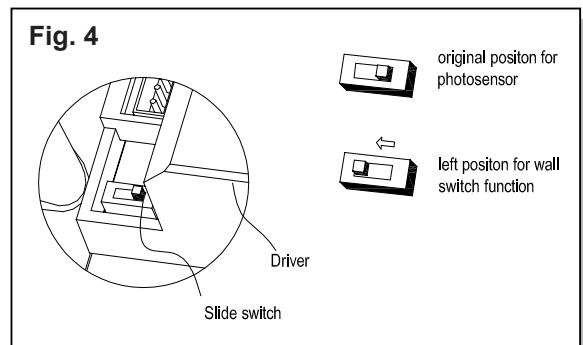
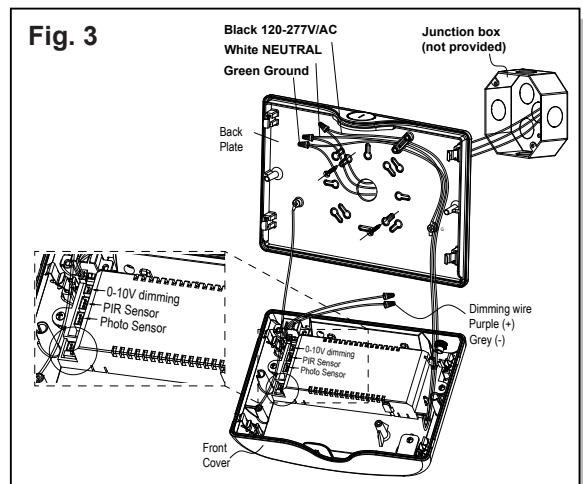
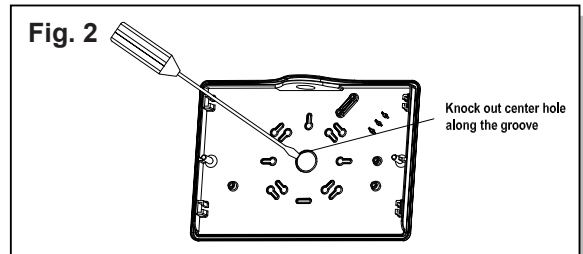
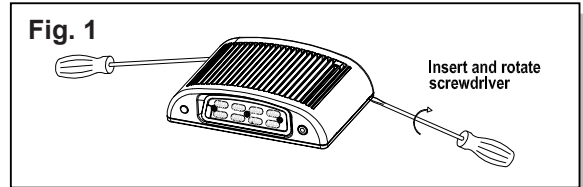
1. Standard Setting ON/OFF controlled by photosensor.
 - A. If ambient illumination is less than 10Lx it will turn on automatically.
 - B. If illumination is greater than 30Lx, the luminaire will turn off.
 - C. Unit wall switch control conversion (Fig. 6)
Once unit has been converted to wall switch controls, this will bypass the photosensor.
2. Photosensor and PIR ON/OFF control settings:
 - D. If ambient illumination is less than 10Lx it will turn on automatically if PIR sensor detects movement, stay on for 2 minutes and turn off if no movement is detected.
 - E. If illumination is greater than 30Lx, the luminaire will keep off.

Function Disable Instructions

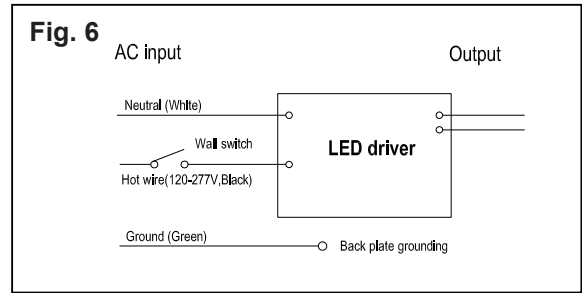
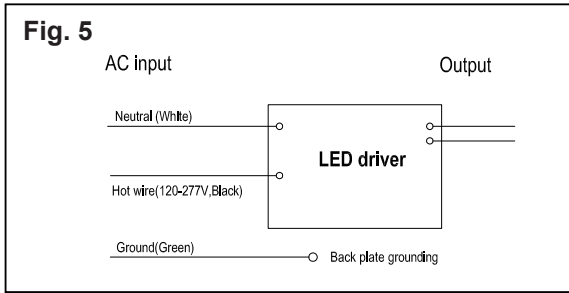
1. To disable PIR function and keep photocell function, pull out PIR connector.
2. To disable photocell function and keep PIR function, pull out photocell connector.
3. To disable both PIR function and photocell function, pull out both PIR and photocell connectors. Fixture can now be converted to be controlled by a wall switch.

Convert Unit Control from Photosensor to Wall Switch

1. Slide the switch away from the driver to convert photosensor to wall switch. (Fig. 4)
2. Connect external wall switch to hot wire. (Fig. 6)



Wiring Diagrams



Operation

The battery in this unit may not be fully charged. After electricity is connected to the unit for at least 24 hours, then normal operation of this unit should take effect. To check, press the “TEST” button. The EXIT sign should stay illuminated by battery backup and the LED indicator will be turned off. Release the “TEST” button, LED indicator will be turned on.

In accordance with NFPA 101, your emergency lighting system must be tested monthly for a minimum of 30 seconds and annually for 90 minutes. Refer to your local codes for any additional requirements that may apply.

Testing and Reporting Instructions (-G2 and -G3/G3PRO models)

- When AC power is supplied to fixture, the unit will automatically initiate a self-test and self-diagnostic test as follows:
 - Verifies battery disconnection, charger board failure at every 5 seconds.
 - 1 minute self-testing every month.
 - 30 minutes self-testing on every 6 months after installation.
 - 90 minutes self-testing on every 12 months after installation.
- Dual color LED lamp indicator shows the following status:
 - Green color: On / Ready
Blinking: Testing
 - Red color: (Service Alert)
 - Service Alert LED Code (Red color LED lamp indicator)

| | | |
|-------|-----------------------------------|-----------------------------|
| ● | One blink ON/pause (4 seconds) | Battery is not connect |
| ●● | Two blinks ON/pause (4 seconds) | Battery voltage too low |
| ●●● | Three blinks ON/pause (4 seconds) | Charger board circuit fault |
| ●●●● | Four blinks ON/pause (4 seconds) | Transfer function failure |
| ●●●●● | Five blinks ON/pause (4 seconds) | Integral lamp fault |

Note: After solving the fault of emergency equipment, please press test button for 2 seconds then release to reset. LED indicator will show green.

- “-G2” and “-G3/G3PRO” models also have a manual test function, press test button as follows:

| | |
|--|---|
| Press test button once (within 2 seconds) | 30 seconds discharge test |
| Press test button twice (within 2 seconds) | 3 minutes discharge test |
| Press test button 3 times (within 2 seconds) | 30 minutes discharge test |
| Press test button 4 times (within 2 seconds) | 90 minutes discharge test |
| *Press and hold test button for 8 seconds | Fixture will leave network and reset itself |

*Note: only applies to “-G3/G3PRO” models. If you have problem to initiate provisioning or if you know the unit belongs to other Guardian G3 Network

SLW Series

Installation Instructions

Networking Operations for “-G3/G3PRO” Models

Model with "-G3/G3PRO" suffix is our world winning design equipped with "wireless testing and reporting" features. Unit that has "-G3/G3PRO" suffix in its model number is capable of joining Guardian G3 emergency lighting management system. It will be part of a large testing system to be tested and report result wirelessly.

Once powered up and commissioning allowed, unit will automatically join Guardian G3 network and get provisioned. Upon the completion of the commissioning, unit will perform testing and report based on set schedules.

For more information about commissioning, configurations and testing, please visit website, <https://barronltg.com/guardian-g3-products.php> for details.

SLW Series w/EM

Installation Instructions



IMPORTANT SAFEGUARDS READ AND FOLLOW ALL SAFETY INSTRUCTIONS.

When using electrical equipment, basic safety precautions should always be followed including the following:

- **DISCONNECT AC POWER SUPPLY BEFORE SERVICING.**
- Installation and servicing of this equipment should be performed by qualified service personnel only.
- Ensure that the electrical wiring conforms to the National Electrical Code NEC® and local regulations if applicable.
- Do not mount near gas or electrical heaters.
- Equipment should be mounted in locations and at heights where it will not be readily subjected to tampering by unauthorized personnel.
- The use of accessory equipment not recommended by the manufacturer may cause an unsafe condition.
- Any modification or use of non-original components will void the warranty and product liability.
- Do not use this equipment for other than intended use.
- Allow battery to charge for 24 hours before first use.
- For use with metal enclosed wiring systems.

SAVE THESE INSTRUCTIONS!

Technical Support ■ (623) 580-8943 ■ technicalsupport@barronltg.com

SLW Series w/EM

Installation Instructions

Wall Mount Installation (Fig. 3)

1. Insert a flat blade screwdriver into the two slots to remove front cover from backplate. (Fig. 1).
2. Remove knockout from center of backplate and route wires through the hole. (Fig. 2)
3. Remove appropriate knockouts on backplate and mount to junction box.
4. Connect the fixture wires to the power supply wires using the wire nuts provided. Connections should be made inside junction box. Connect the white wire to neutral and black wire to the hot lead. Refer to **Wiring Diagram** section. (Fig. 5)
5. Plug male connector into battery female connector on LED driver.
6. Make correct heater pad connection if unit has heater pad option.
7. Snap front cover on the backplate.
8. Restore power and press test button, LEDs will turn on.

IMPORTANT: Weatherproof your outdoor installation. Be sure to seal all holes in the enclosure, such as the mounting, conduit, plugs, sensors, and photocontrols with silicone sealant. Apply sealant across top edge of the wall pack between the back enclosure and the mounting surface to prevent water from reaching the back of the enclosure.

Conduit Mount Installation

1. Remove the 1/2" NPT conduit plug from the top of the fixture.(Fig. 2)
2. Open unit, secure unit on conduit and feed wire into the fixture.
3. Reference steps 4-8 from Wall Mount Installation.

Luminaire ON/OFF Controls

There are 2 default ON/OFF controls settings:

1. Standard Setting ON/OFF controlled by photosensor.
 - A. If ambient illumination is less than 10Lx it will turn on automatically.
 - B. If illumination is greater than 30Lx, the luminaire will turn off.
 - C. Unit wall switch control conversion (Fig. 6)
Once unit has been converted to wall switch controls, this will by pass the photosensor.
2. Photosensor and PIR ON/OFF control settings:
 - D. If ambient illumination is less than 10Lx it will turn on automatically if PIR sensor detects movement, stay on for 2 minutes and turn off if no movement is detected.
 - E. If illumination is greater than 30Lx, the luminaire will keep off.

Function Disable Instructions

1. To disable PIR function and keep photocell function, pull out PIR connector.
2. To disable photocell function and keep PIR function, pull out photocell connector.
3. To disable both PIR function and photocell function, pull out both PIR and photocell connectors. Fixture can now be converted to be controlled by a wall switch.

Fig. 1

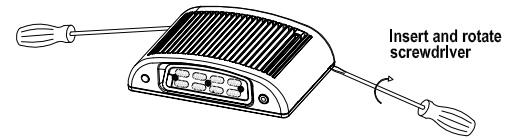


Fig. 2

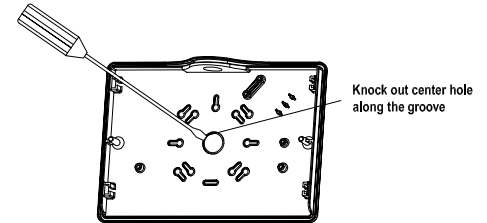


Fig. 3

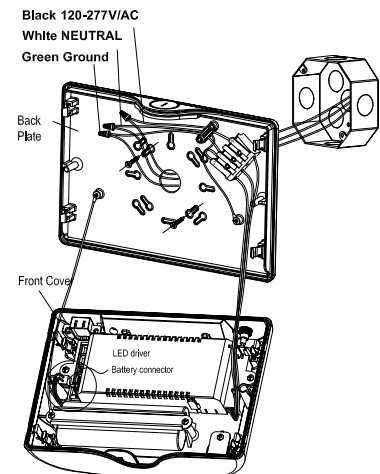
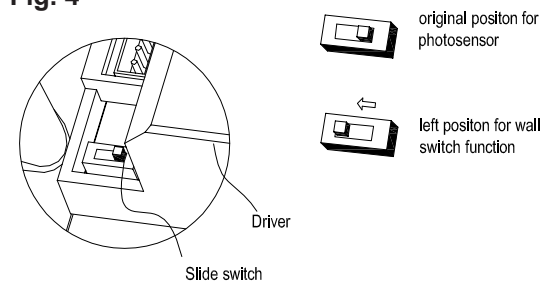


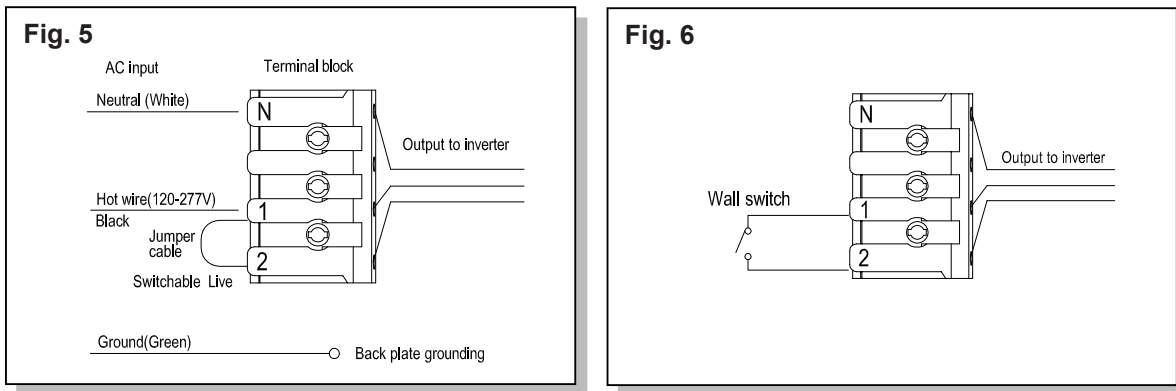
Fig. 4



Convert Unit Control from Photosensor to Wall Switch

- Slide the switch away from the driver to convert photosensor to wall switch. (Fig. 4)
- Remove jumper, connect wall switch on terminal 1 and 2. (Fig. 6) If jumper cable is left in terminal block, fixture will always turn on under normal supply.

Wiring Diagrams



Operation

The battery in this unit may not be fully charged. After electricity is connected to the unit for at least 24 hours, then normal operation of this unit should take effect. To check, press the “TEST” button. The EXIT sign should stay illuminated by battery backup and the LED indicator will be turned off. Release the “TEST” button, LED indicator will be turned on.

In accordance with NFPA 101, your emergency lighting system must be tested monthly for a minimum of 30 seconds and annually for 90 minutes. Refer to your local codes for any additional requirements that may apply.

Testing and Reporting Instructions (-G2 and -G3/G3PRO models)

- When AC power is supplied to fixture, the unit will automatically initiate a self-test and self-diagnostic test as follows:
 - Verifies battery disconnection, charger board failure at every 5 seconds.
 - 1 minute self-testing every month.
 - 30 minutes self-testing on every 6 months after installation.
 - 90 minutes self-testing on every 12 months after installation.
- Dual color LED lamp indicator shows the following status:
 - Green color: On / Ready
 - Blinking: Testing
 - Red color: (Service Alert)
 - Service Alert LED Code (Red color LED lamp indicator)

| | | |
|-------|-----------------------------------|-----------------------------|
| ● | One blink ON/pause (4 seconds) | Battery is not connect |
| ●● | Two blinks ON/pause (4 seconds) | Battery voltage too low |
| ●●● | Three blinks ON/pause (4 seconds) | Charger board circuit fault |
| ●●●● | Four blinks ON/pause (4 seconds) | Transfer function failure |
| ●●●●● | Five blinks ON/pause (4 seconds) | Integral lamp fault |

Note: After solving the fault of emergency equipment, please press test button for 2 seconds then release to reset. LED indicator will show green.

SLW Series w/EM

Installation Instructions

3. "-G2" and "-G3/G3PRO" models also have a manual test function, press test button as follows:

| | |
|--|---|
| Press test button once (within 2 seconds) | 30 seconds discharge test |
| Press test button twice (within 2 seconds) | 3 minutes discharge test |
| Press test button 3 times (within 2 seconds) | 30 minutes discharge test |
| Press test button 4 times (within 2 seconds) | 90 minutes discharge test |
| *Press and hold test button for 8 seconds | Fixture will leave network and reset itself |

*Note: only applies to "-G3/G3PRO" models. If you have problem to initiate provisioning or if you know the unit belongs to other Guardian G3 Network

Networking Operations for "-G3/G3PRO" Models

Model with "-G3/G3PRO" suffix is our world winning design equipped with "wireless testing and reporting" features. Unit that has "-G3/G3PRO" suffix in its model number is capable of joining Guardian G3 emergency lighting management system. It will be part of a large testing system to be tested and report result wirelessly.

Once powered up and commissioning allowed, unit will automatically join Guardian G3 network and get provisioned. Upon the completion of the commissioning, unit will perform testing and report based on set schedules.

For more information about commissioning, configurations and testing, please visit website, <https://barronltg.com/guardian-g3-products.php> for details.