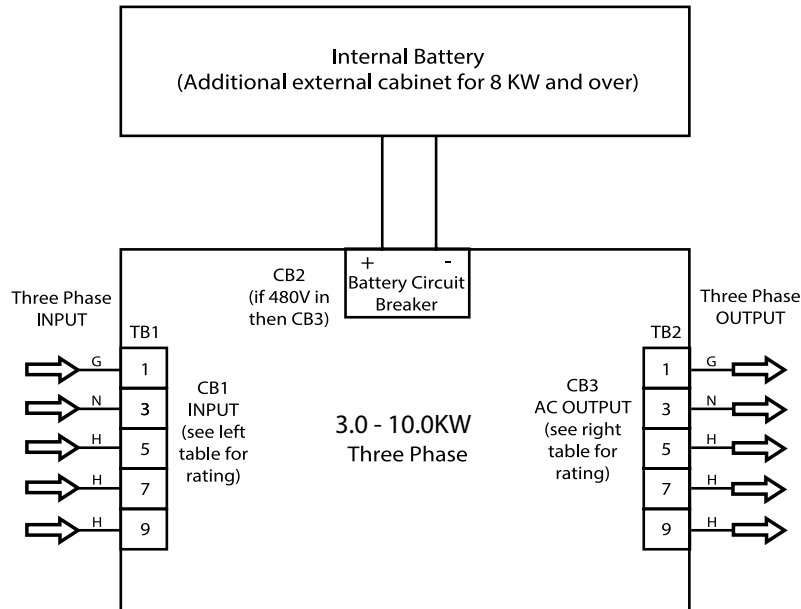


# Sedona Series

Integration

## Three Phase: 3 - 10KW

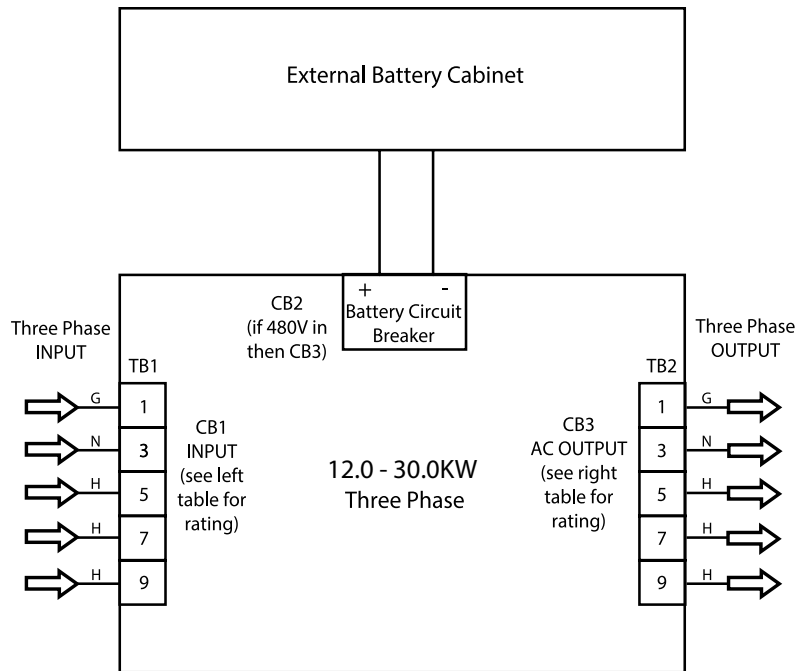
| KW   | Input Voltage | Utility Feed Amps |
|------|---------------|-------------------|
| 3.0  | 208Y/120      | 14.6              |
|      | 480Y/277      | 6.3               |
|      | 208           | 14.6              |
|      | 480           | 6.3               |
| 4.5  | 208Y/120      | 21.9              |
|      | 480Y/277      | 9.5               |
|      | 208           | 21.9              |
|      | 480           | 9.5               |
| 6.0  | 208Y/120      | 29.2              |
|      | 480Y/277      | 12.6              |
|      | 208           | 29.2              |
|      | 480           | 12.6              |
| 8.0  | 208Y/120      | 39                |
|      | 480Y/277      | 16.9              |
|      | 208           | 39                |
|      | 480           | 16.9              |
| 10.0 | 208Y/120      | 48.6              |
|      | 480Y/277      | 21                |
|      | 208           | 48.6              |
|      | 480           | 21                |



| KW   | Output Voltage | Max Output Amps |
|------|----------------|-----------------|
| 3.0  | 208Y/120       | 8.3             |
|      | 480Y/277       | 3.6             |
| 4.5  | 208Y/120       | 12.5            |
|      | 480Y/277       | 5.4             |
| 6.0  | 208Y/120       | 16.7            |
|      | 480Y/277       | 7.2             |
| 8.0  | 208Y/120       | 22.2            |
|      | 480Y/277       | 9.6             |
| 10.0 | 208Y/120       | 27.8            |
|      | 480Y/277       | 12              |

## Three Phase: 12 - 30KW

| KW   | Input Voltage | Utility Feed Amps |
|------|---------------|-------------------|
| 12.0 | 208Y/120      | 58.4              |
|      | 480Y/277      | 25.3              |
|      | 208           | 58.4              |
|      | 480           | 25.3              |
| 16.0 | 208Y/120      | 77.8              |
|      | 480Y/277      | 33.7              |
|      | 208           | 77.8              |
|      | 480           | 33.4              |
| 20.0 | 208Y/120      | 97.3              |
|      | 480Y/277      | 42.1              |
|      | 208           | 97.3              |
|      | 480           | 42.1              |
| 24.0 | 208Y/120      | 116.7             |
|      | 480Y/277      | 50.6              |
|      | 208           | 116.7             |
|      | 480           | 50.6              |
| 30.0 | 208Y/120      | 145.9             |
|      | 480Y/277      | 63.2              |
|      | 208           | 145.9             |
|      | 480           | 63.2              |



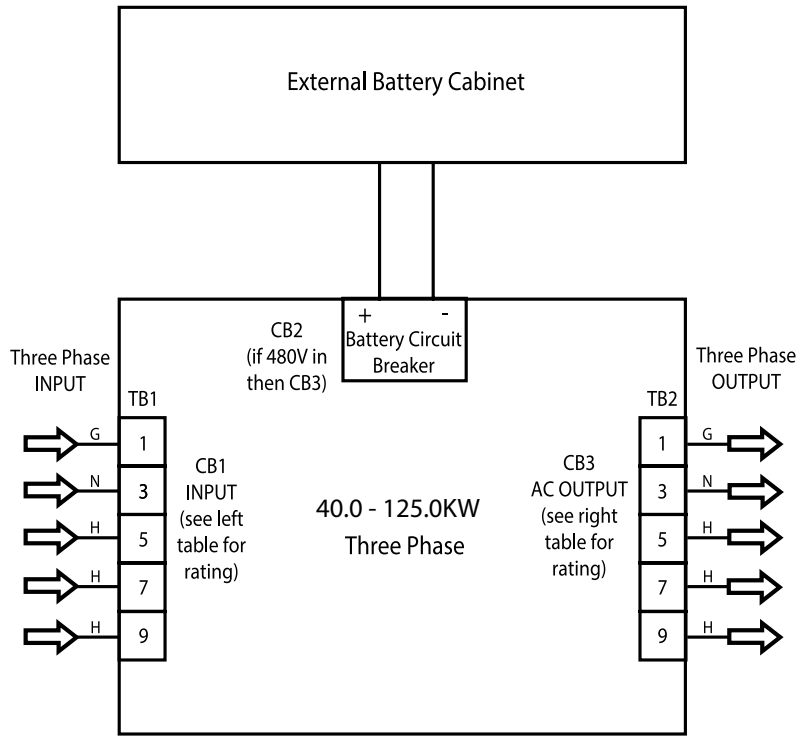
| KW   | Output Voltage | Max Output Amps |
|------|----------------|-----------------|
| 12.0 | 208Y/120       | 33.3            |
|      | 480Y/277       | 14.5            |
| 16.0 | 208Y/120       | 44.5            |
|      | 480Y/277       | 19.3            |
| 20.0 | 208Y/120       | 55.6            |
|      | 480Y/277       | 24.1            |
| 24.0 | 208Y/120       | 66.7            |
|      | 480Y/277       | 28.9            |
| 30.0 | 208Y/120       | 83.4            |
|      | 480Y/277       | 36.1            |

# Sedona Series

Integration

## Three Phase: 40 - 125KW

| KW    | Input Voltage | Utility Feed Amps |
|-------|---------------|-------------------|
| 40.0  | 208Y/120      | 194.5             |
|       | 480Y/277      | 84.3              |
|       | 208           | 194.5             |
|       | 480           | 84.3              |
| 50.0  | 208Y/120      | 242               |
|       | 480Y/277      | 105               |
|       | 208           | 242               |
|       | 480           | 105               |
| 60.0  | 208Y/120      | 291.8             |
|       | 480Y/277      | 126.4             |
|       | 208           | 291.8             |
|       | 480           | 126.4             |
| 80.0  | 208Y/120      | 389.1             |
|       | 480Y/277      | 168.6             |
|       | 208           | 389.1             |
|       | 480           | 168.6             |
| 100.0 | 208Y/120      | 486.3             |
|       | 480Y/277      | 210.7             |
|       | 208           | 486.3             |
|       | 480           | 210.7             |
| 125.0 | 208Y/120      | 607.9             |
|       | 480Y/277      | 263.4             |
|       | 208           | 607.9             |
|       | 480           | 263.4             |



| KW    | Output Voltage | Max Output Amps |
|-------|----------------|-----------------|
| 40.0  | 208Y/120       | 111.2           |
|       | 480Y/277       | 48.2            |
| 50.0  | 208Y/120       | 139             |
|       | 480Y/277       | 60              |
| 60.0  | 208Y/120       | 166.7           |
|       | 480Y/277       | 72.3            |
| 80.0  | 208Y/120       | 222.3           |
|       | 480Y/277       | 96.3            |
| 100.0 | 208Y/120       | 277.9           |
|       | 480Y/277       | 120.4           |
| 125.0 | 208Y/120       | 347.4           |
|       | 480Y/277       | 150.5           |