

### DESCRIPTION

The RWE Series wallpack features a glass refractor and an updated LED engine, offering higher efficacy lumen output and thermal management while still maintaining the design of our traditional housing. The RWE Series is offered in two sizes for project flexibility and features field-selectable power. The small and medium configurations can switch between 29W-40W-60W with outputs up to 8,016 lumens. The medium configuration is also available in 60W-100W-120W with a lumen output up to 16,218 lumens. All configurations feature field-selectable color temperature between 3000K, 4000K and 5000K CCT. The RWE Series housing is constructed of die-cast aluminum with a dark bronze finish that provides durable protection against environmental conditions and corrosion. RWE is the perfect combination of traditional looking design and industry defining selectable features, making it the ideal solution for commercial and residential applications.

### CONSTRUCTION

- Die-cast aluminum housing, thermoset polyester powder coat with a dark bronze finish
- Small and medium enclosures, hinged for easy installation and maintenance as well as access to power selectable dial and CCT switch.
- 1/2" Conduit hubs on all four sides of the unit for installation flexibility

### OPTICS/LEDS

- Provides a range of 3,900 – 8,100 lumens on the small housing and 8,000 – 17,000 lumens on the medium housing
- Prismatic borosilicate glass refractor
- Up to 148 LPW
- CCT switchable; 3000K, 4000K and 5000K CCT
- CRI ≥80
- L70 > 100,000 hours
- L90 > 51,000 hours

### ELECTRICAL

- 120-277VAC, 50/60Hz
- 0-10V Dimming driver, 4kVA surge protection
- Power Factor > 0.90
- Total harmonic distortion <20%
- Power Switchable between 29W-40W-60W (small & medium) and 60W-100W-120W (medium)
- Built in photocontrol – simply connect wires to put in use

### INSTALLATION

- Ideal for mounting to any vertical surface and attaches to a 3" or 4" J-box
- Can be surface mounted using the 1/2" conduit entry points on all four sides of the housing
- Enclosure hinges open for easy installation and maintenance as well as access to power selectable dial and CCT switch

### OPTIONS

- Integral photocontrol (standard) mounted to one of the hubs. Simply connect wires if needed.
- Integral battery backup option (-BB) offers up to 900 lumens of emergency powered illumination for 90 minutes for path of egress. Rated for ambient temperatures of 0°C to 40°C (32°F to 104°F) Available in the RWE-M-60W-configuration only

### ACCESSORIES

- Dimming sensor is available for additional energy savings (TL-MSD) can be controlled via DIP switches or remote control (sold separately). Sensor allows for two or three step/level dimming and has optional daylight harvesting capabilities.
- Remote control for sensor (TL-MSD-REMOTE)

Model: \_\_\_\_\_ Date: \_\_\_\_\_  
 Accessories: \_\_\_\_\_  
 Job Name: \_\_\_\_\_ Type: \_\_\_\_\_



### Specs At A Glance\*

Model	Small	Medium	
Wattage (W)	29W-40W-60W (Switchable)	29W-40W-60W (Switchable)	60W-100W-120W (Switchable)
Lumens (lm)	3,900-8,016	4,000-8,200	8,000-16,218
Efficacy (LPW)	Up to 148	Up to 145	Up to 146
CCT	3000K-4000K-5000K (Switchable)		
CRI	> 80		
Input Voltage	120-277VAC, 50/60Hz		
Operating Temp	-20°C to 40°C (-4°F to 104°F)		
Certifications	cULus Listed for Wet Locations, IP65, DLC PREMIUM		
Warranty	5 Years		

\*Nominal Wattage. Tested at 5000K CCT.  
 See performance table for more detailed lumen information.

### TESTING & COMPLIANCE

- cULus Listed for Wet Locations
- IP65 Rated
- DesignLights Consortium® PREMIUM Qualified
- Operating temperatures: -20°C to 40°C (-4°F to 104°F)

### WARRANTY

- Five year warranty (terms and conditions apply)

## ORDERING INFORMATION

Example: RWE-M-60-VS-CP-BR

Series	Description	Options
RWE-S-60-VS-CP-BR	Small, 60W (Switchable; 29W-40W-60W), 120-277VAC, CCT Selectable (3000K-4000K-5000K), Bronze Finish	BB <sup>1</sup> = Battery Backup
RWE-M-60-VS-CP-BR	Medium, 60W (Switchable; 29W-40W-60W), 120-277VAC, CCT Selectable (3000K-4000K-5000K), Bronze Finish	
RWE-M-120-VS-CP-BR	Medium, 120W (Switchable; 60W-100W-120W), 120-277VAC, CCT Selectable (3000K-4000K-5000K), Bronze Finish	

### Notes

<sup>1</sup> Only available with RWE-M-60-VS-CP-BR

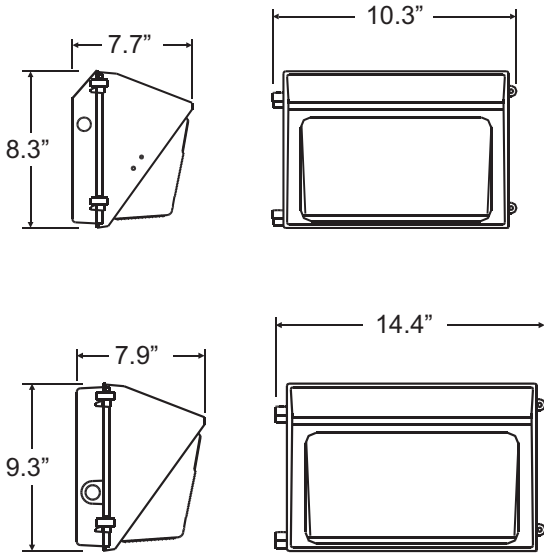
<sup>2</sup> Order as a separate line item; shipped in separate box for field installation

### Accessories<sup>2</sup> (Field Installed)

TL-MSC = Dimming Occupancy Sensor

TL-MSC-REMOTE = Remote Control for TI-MSC

## DIMENSIONS



## SAMPLE PHOTOMETRICS

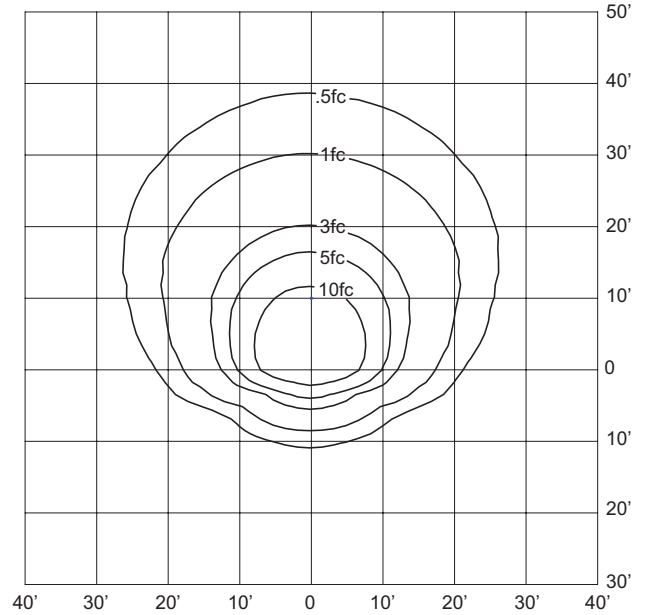
### RWE-M-60-VS-CP: 60W, 4000K CCT

IES: TYPE IV Very Short

MOUNTING HEIGHT: 10'

TILT: ZERO

HORIZONTAL SPACING CRITERIA: 2.18



**PERFORMANCE TABLE**

Model	Wattage	CCT	Lumens	LPW	CRI
RWE-S-60-VS-CP (29W, 3K)	29	3000K	3900	139	>80
RWE-S-60-VS-CP (29W, 4K)	29	4000K	4097	141	>80
RWE-S-60-VS-CP (29W, 5K)	29	5000K	4108	146	>80
RWE-S-60-VS-CP (40W, 3K)	40	3000K	5238	131	>80
RWE-S-60-VS-CP (40W, 4K)	40	4000K	5449	136	>80
RWE-S-60-VS-CP (40W, 5K)	40	5000K	5719	143	>80
RWE-S-60-VS-CP (60W, 3K)	60	3000K	7848	130	>80
RWE-S-60-VS-CP (60W, 4K)	60	4000K	7939	132	>80
RWE-S-60-VS-CP (60W, 5K)	60	5000K	8016	133	>80
RWE-M-60-VS-CP (29W, 3K)	29	3000K	4000	138	>80
RWE-M-60-VS-CP (29W, 4K)	29	4000K	4084	141	>80
RWE-M-60-VS-CP (29W, 5K)	29	5000K	4181	144	>80
RWE-M-60-VS-CP (40W, 3K)	40	3000K	5382	132	>80
RWE-M-60-VS-CP (40W, 4K)	40	4000K	5595	140	>80
RWE-M-60-VS-CP (40W, 5K)	40	5000K	5851	146	>80
RWE-M-60-VS-CP (60W, 3K)	60	3000K	8031	132	>80
RWE-M-60-VS-CP (60W, 4K)	60	4000K	8119	135	>80
RWE-M-60-VS-CP (60W, 5K)	60	5000K	8200	136	>80
RWE-M-120-VS-CP (60W, 3K)	60	3000K	8000	133	>80
RWE-M-120-VS-CP (60W, 4K)	60	4000K	8221	137	>80
RWE-M-120-VS-CP (60W, 5K)	60	5000K	8458	141	>80
RWE-M-120-VS-CP (100W, 3K)	100	3000K	14392	144	>80
RWE-M-120-VS-CP (100W, 4K)	100	4000K	14260	139	>80
RWE-M-120-VS-CP (100W, 5K)	100	5000K	14761	147	>80
RWE-M-120-VS-CP (120W, 3K)	120	3000K	16101	134	>80
RWE-M-120-VS-CP (120W, 4K)	120	4000K	16200	135	>80
RWE-M-120-VS-CP (120W, 5K)	120	5000K	16218	135	>80

## SENSOR SETTINGS

By selecting the combination of the DIP switches, sensor data can be precisely set for each specific application.

		1	2	
	I	ON	ON	100%
	II	ON	OFF	75%
	III	OFF	ON	50%
	IV	OFF	OFF	10%

### Default setting with gray background

#### Detection area

Detection area can be reduced by selecting the combination on the DIP switches to fit precisely each application. Default set at 100%.

		3	4	5	
	I	ON	ON	ON	5S
	II	OFF	ON	ON	30S
	III	ON	OFF	ON	90S
	IV	OFF	OFF	ON	3MIN
	V	ON	ON	OFF	20min
VI	OFF	OFF	OFF	+∞	

#### Hold time

Refers to the time period the lamp remains at 100% illumination after no motion detected. Default set at 30 seconds.

		6	7	8	
	I	ON	ON	ON	0S
	II	OFF	ON	ON	5S
	III	ON	OFF	ON	5min
	IV	OFF	OFF	ON	10min
	V	ON	ON	OFF	30min
	VI	OFF	ON	OFF	1h
VII	OFF	OFF	OFF	+∞	

#### Standby period

Refers to the time period the lamp remains at a low light level before it completely switches off in the long absence of people. When set to +∞ mode, the low light maintained until motion is detected. Default set to five minutes.

		1	2	3	4	
	I	OFF	OFF	ON	ON	2Lux
	II	OFF	OFF	OFF	ON	5Lux
	III	OFF	ON	ON	OFF	10Lux
	IV	OFF	OFF	ON	OFF	25Lux
	V	OFF	ON	OFF	OFF	50Lux
	VI	ON	OFF	OFF	OFF	100Lux
VII	OFF	OFF	OFF	OFF	Disable	

#### Daylight sensor

The sensor can be set to only allow the lamp to illuminate below a defined ambient brightness threshold. When set to Disable mode, the daylight sensor will switch on the lamp when motion is detected regardless of ambient light level. 50Lux, 30Lux: twilight operation, 10Lux, 5Lux: darkness operations only. Default set to disable.

**Note** - The daylight sensor is active only when lamp totally switches off.

		5	6	
	I	ON	ON	50%
	II	OFF	ON	30%
	III	ON	OFF	20%
IV	OFF	OFF	10%	

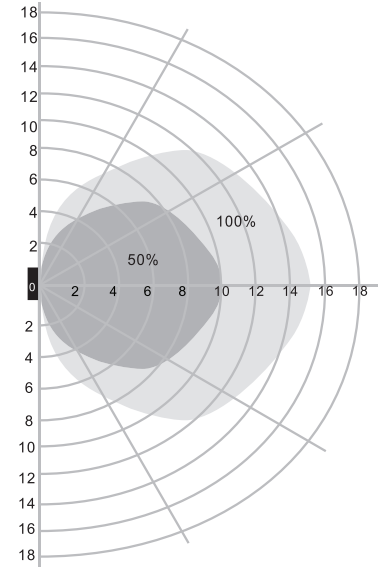
#### Standby dimming level

The low light level you would like to have after the hold time in the long absence of people. Default set as 30%.

## Occupancy Sensor (Accessory TL-MS-C)



### Detection Pattern



Wall mounting pattern (Unit: m)