

The all new Exitronix Tempo Pro family of LED emergency exit luminaires provide a more complete, compact, powerful light offering with a higher performance than most currently on the market.

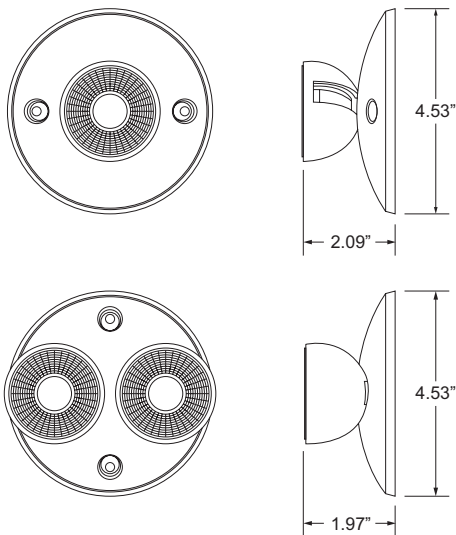
FEATURES

- 3.6 volt compatible
- 5" diameter round mounting plate for 3" or 4" standard hole pattern
- Lamp and mounting plate combination is approximately 2" deep
- SMD 2W LED
- Performance lens for long pathways
- Fully adjustable
- Standard finish: Black or White
- UL 924 and cUL Certified
- Suitable for damp locations
- Master Cartons of 12

WARRANTY

Any component that fails due to manufacturers defect is guaranteed for 3 years. The warranty does not cover physical damage, abuse or acts of God. See the full Exitronix warranty document for detailed information.

DIMENSIONS

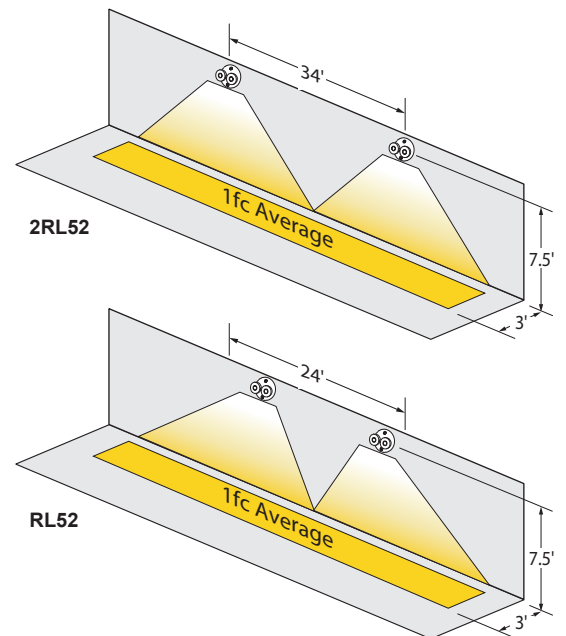


Model: _____ Date: _____
 Accessories: _____
 Job Name: _____ Type: _____



SAMPLE PHOTOMETRICS

Using multiple (double lamp) units mounted at a typical 7.5 foot height delivers 34 foot on center spacing with a 3 foot wide path of egress.



ORDERING INFORMATION Example: RL52-WH

Series	Finish
RL52 = Single Lamp	WH = White Housing
2RL52 = Double Lamp	BL = Black Housing

Specifications are subject to change without notice. Installation must be performed in accordance with Barron Lighting Group installation instructions.