

RL1-WP Series lamp heads combine the efficiency and reliability of LED illumination with rugged construction suitable for wet locations.

Model: \_\_\_\_\_ Date: \_\_\_\_\_  
Accessories: \_\_\_\_\_  
Job Name: \_\_\_\_\_ Type: \_\_\_\_\_

**FEATURES AND BENEFITS**

- 3 - 12VDC input
- Uses only 1 watt per lamp head
- Each lamp head contains 15 long lasting, efficient, ultra-bright white LEDs
- Rugged, injection-molded UL94 ABS flame retardant, high-temperature thermoplastic housing
- For use with CHIX, CHIM, NFT, S900C, VLEDC and VEX-WPC units
- Low cost - easy installation
- Single and double head configurations available
- UL listed for Wet Locations
- For use with standard 4" j-box (Provided by others)
- Standard finishes: Black or Gray
- All models include mounting plate



Includes Mounting Plate

**WARRANTY**

Any component that fails due to a manufacturing defect is guaranteed for three years. The warranty does not cover physical damage, abuse or instances of uncontrollable natural forces. See the full Exित्रonix warranty document for detailed information. (Terms and Conditions apply)



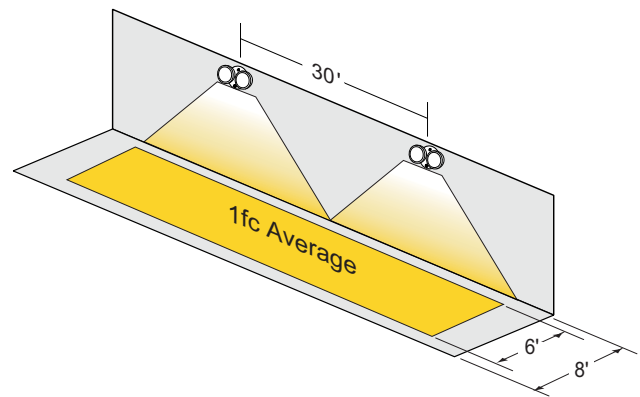
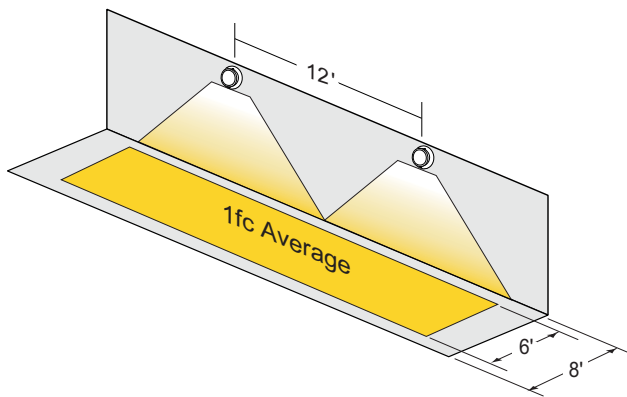
**CONFORMANCE TO CODES & STANDARDS**

The RL1-WP Series is UL listed and meets or exceeds the following: UL 924, N.E.C. requirements and N.F.P.A. 101.

**SAMPLE PHOTOMETRICS**

Using multiple RL1 units mounted at a typical 7.5' foot height delivers 12 foot on center spacing with a 6 foot wide path of egress.

Using multiple 2RL1 units mounted at a typical 7.5' foot height delivers 30 foot on center spacing with a 6 foot wide path of egress.



**ORDERING INFORMATION**

**Example: RL1-WP-GR**

Series <sup>1</sup>	Finish
RL1-WP = Single Remote Lamp	GR = Gray
2RL1-WP = Double Remote Lamp	BL= Black

**Note**

<sup>1</sup> For use with CHIX, CHIM, NFT, S900C, VLEDC and VEX-WPC units