



## IMPORTANT SAFEGUARDS READ AND FOLLOW ALL SAFETY INSTRUCTIONS.

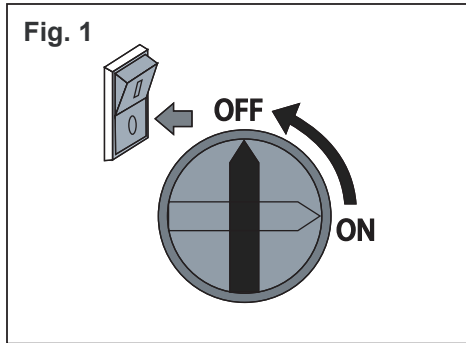
When using electrical equipment, basic safety precautions should always be followed including the following:

- **DISCONNECT AC POWER SUPPLY BEFORE SERVICING.**
- Installation and servicing of this equipment should be performed by qualified service personnel only.
- Ensure that the electrical wiring conforms to the National Electrical Code NEC® and local regulations if applicable.
- Do not mount near gas or electrical heaters.
- Equipment should be mounted in locations and at heights where it will not be readily subjected to tampering by unauthorized personnel.
- The use of accessory equipment not recommended by the manufacturer may cause an unsafe condition.
- Any modification or use of non-original components will void the warranty and product liability.
- Do not use this equipment for other than intended use.
- This LED Retrofit kit shall only be installed into a UL/cUL listed Fluorescent Recessed, Type IC or Non-IC, listed luminaire with a steel enclosure.

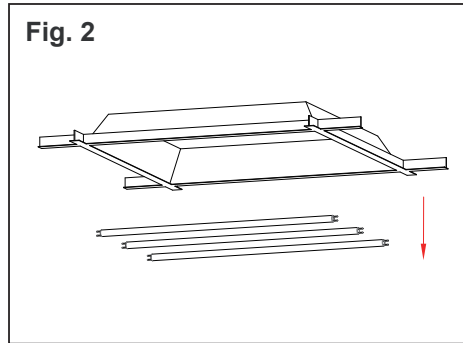
## SAVE THESE INSTRUCTIONS!

Technical Support ■ (623) 580-8943 ■ [technicalsupport@barronltg.com](mailto:technicalsupport@barronltg.com)

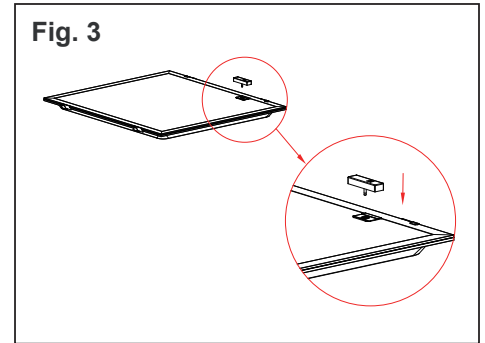
### Recessed Grid Ceiling Installation



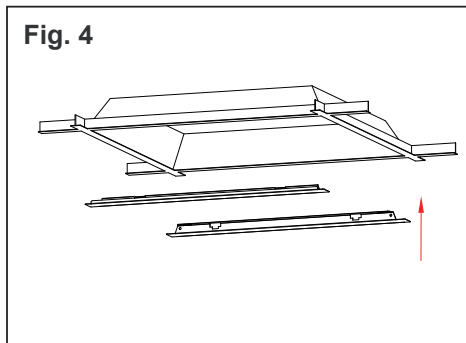
Make sure power is turned off at the circuit breaker. (Fig. 1)



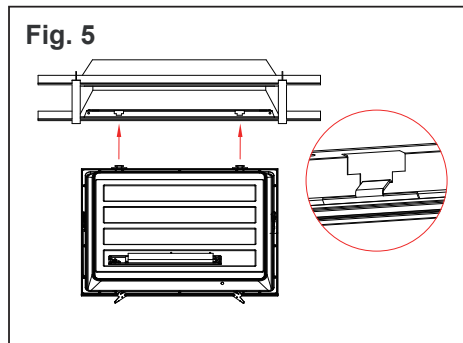
Disassemble the original components by removing the fluorescent tubes, sockets, brackets, ballast and any other potential interfering parts inside the original fixture housing. Be sure to keep the original housing and building supply wiring. (Fig. 2)  
**NOTE:** This LED Retrofit kit shall only be installed into a UL/cUL listed Fluorescent Recessed, Type IC or Non-IC, listed luminaire with a steel enclosure.



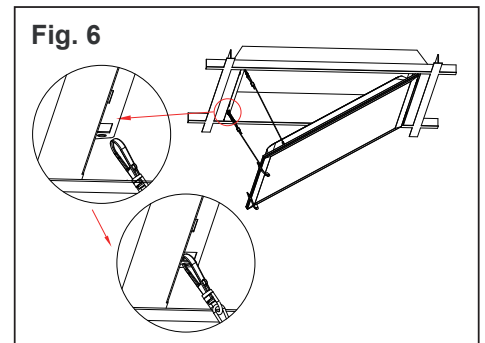
If applicable, remove the sensor receptacle cover and insert the sensor into the receptacle. (Fig. 3)



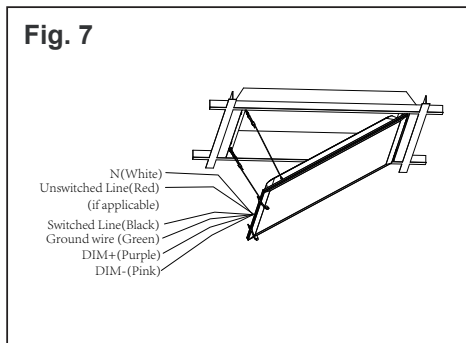
Insert the two mounting brackets into the gap between the original housing and the T-grid. (Fig. 4)



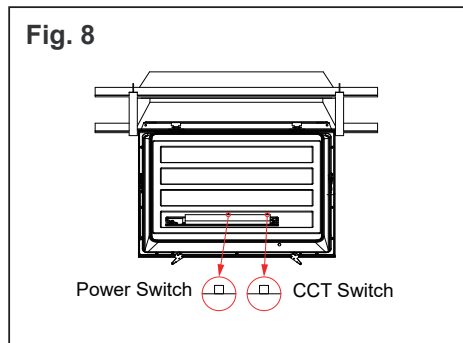
Align the hooks on the panel with the slots on the mounting brackets, hook them onto the brackets for side-mounted installation ensuring a tight grip. (Fig. 5)



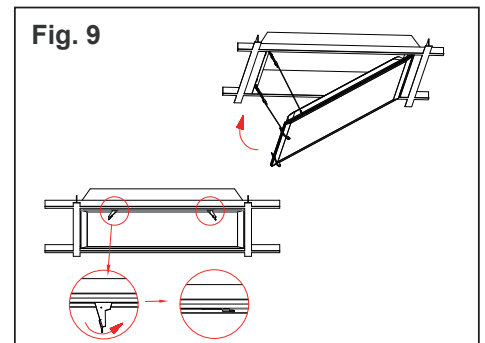
Hook each of the safety wires to the hole of the mounting bracket to suspend the panel body. (Fig. 6)



Open the fixture J-box by removing the access plate and make electrical connections. (Fig. 7) See **Electrical Connections** for wiring guide. Make sure to firmly secure conduit before replacing the access plate.



Select adjustable power and color temperature setting that is desired for the application. (Fig. 8)



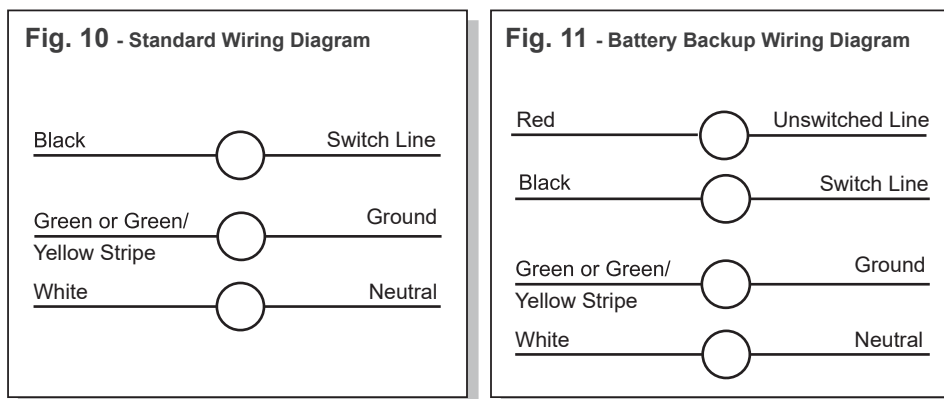
Rotate the panel upwards and push into the original housing. Push the rotary clips to secure the panel until a "click" sound is heard. Installation is now complete. (Fig. 9)

### Electrical Connections (Fig. 10-11)

Make electrical connections per the Wiring Diagrams

- Connect the line fixture lead to the black supply lead.
- Connect the common fixture lead to the white supply lead.
- Connect the ground lead from the service to the ground lead coming from the driver plate.

**Note:** If dimming wires are not used make sure they are capped.  
This fixture auto adjusts for voltages between 120-277VAC.



### Troubleshooting

If the unit does not turn "ON".

- Check incoming voltage to the LED driver. On the Switch/Un-switch line it must be a minimum of 120VAC and no greater than 277VAC.
- Are all LEDs on the light engine "OFF"? If so, the LED driver may be defective. Using a voltmeter, check to see if the voltage is present at the output of the power supply. If low or no voltage is found, contact technical support.
- If any individual LEDs are "OFF" the LED light engine may be defective. Please have the Trace-Lite catalog number of the fixture off the light engine available when you contact technical support.