



## IMPORTANT SAFEGUARDS READ AND FOLLOW ALL SAFETY INSTRUCTIONS.

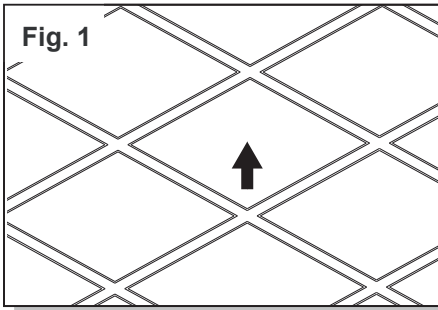
When using electrical equipment, basic safety precautions should always be followed including the following:

- **DISCONNECT AC POWER SUPPLY BEFORE SERVICING.**
- Installation and servicing of this equipment should be performed by qualified service personnel only.
- Ensure that the electrical wiring conforms to the National Electrical Code NEC® and local regulations if applicable.
- Do not mount near gas or electrical heaters.
- Equipment should be mounted in locations and at heights where it will not be readily subjected to tampering by unauthorized personnel.
- The use of accessory equipment not recommended by the manufacturer may cause an unsafe condition.
- Any modification or use of non-original components will void the warranty and product liability.
- Do not use this equipment for other than intended use.

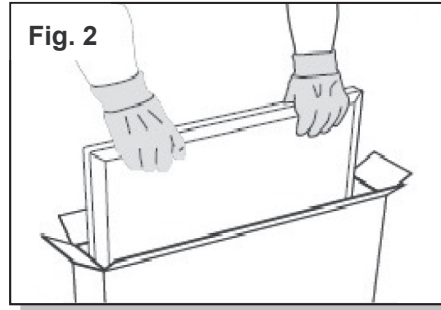
## SAVE THESE INSTRUCTIONS!

Technical Support ■ (623) 580-8943 ■ [technicalsupport@barrontlg.com](mailto:technicalsupport@barrontlg.com)

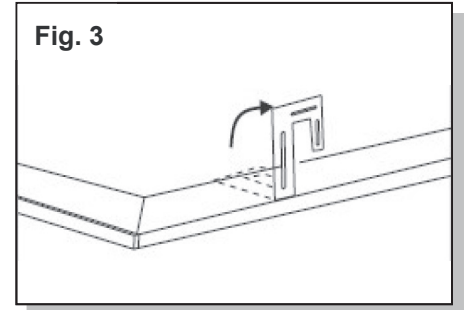
### Recessed Grid Ceiling Installation



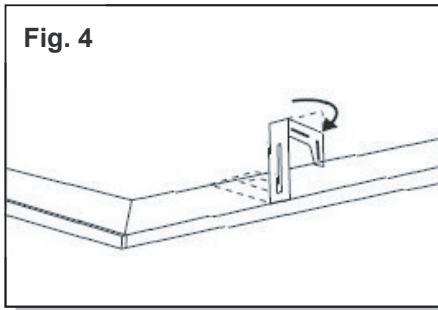
1. Remove the ceiling panel and neighboring panels, if necessary, for installation access.



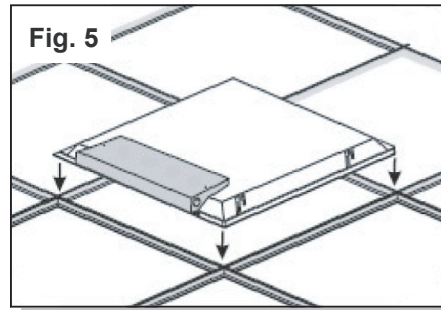
2. Remove the fixture from the box and remove any protective films. Place the fixture face down onto a soft, flat, clean surface.



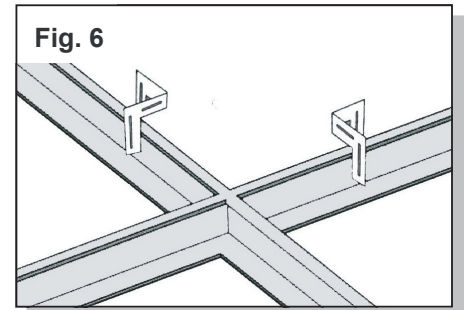
3. Locate the earthquake clips, then bend the tabs upright.



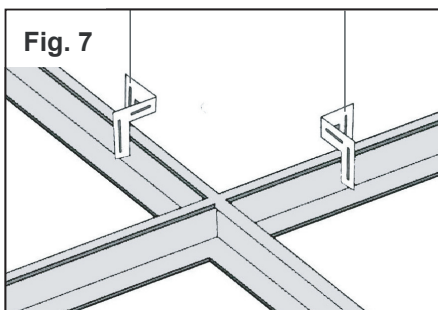
4. Bend the earthquake clips outward, away from the fixture, as shown.



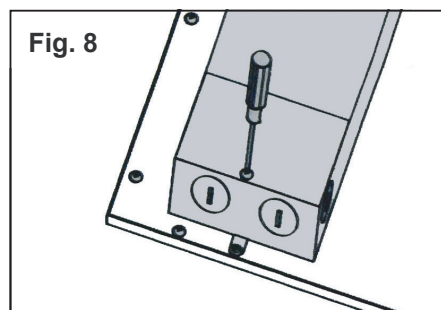
5. Position the fixture on the ceiling grid and engage the earthquake clips on the grid rails.



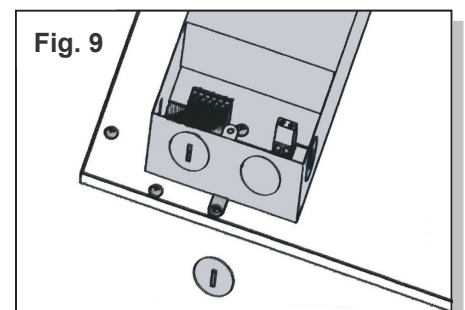
6. Check the engagement of the earthquake clips with the grid rails.



7. Add additional mounting features, such as steel wire, to secure the fixture to the ceiling, as required by code.

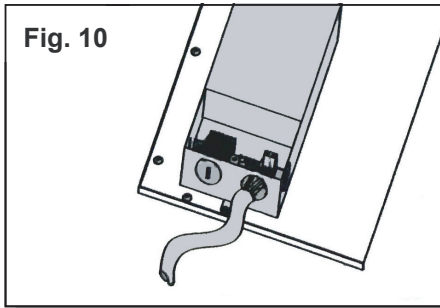


8. Remove the cover from the integrated J-box.

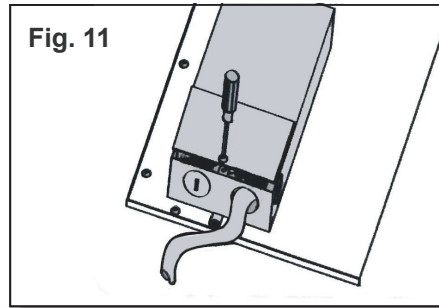


9. Remove the desired knockout for electrical access.

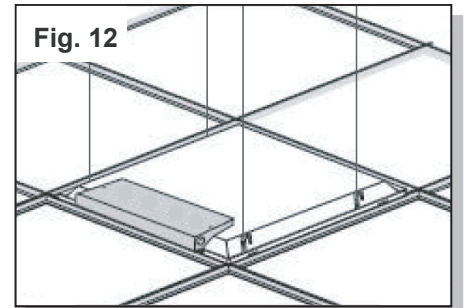
### Recessed Grid Ceiling Installation, Continued



10. Make electrical connections; see Electrical Connections section below.



11. Secure the cover back onto the J-box.



12. The fixture installation is now complete.

### Electrical Connections

All electrical connections should be made inside the J-box. Make electrical connections as follows:

#### 120-277VAC

White - Common

Black - 120-277VAC

Green - Ground

**Note:** Cap unused wires to prevent shorting.

### Troubleshooting

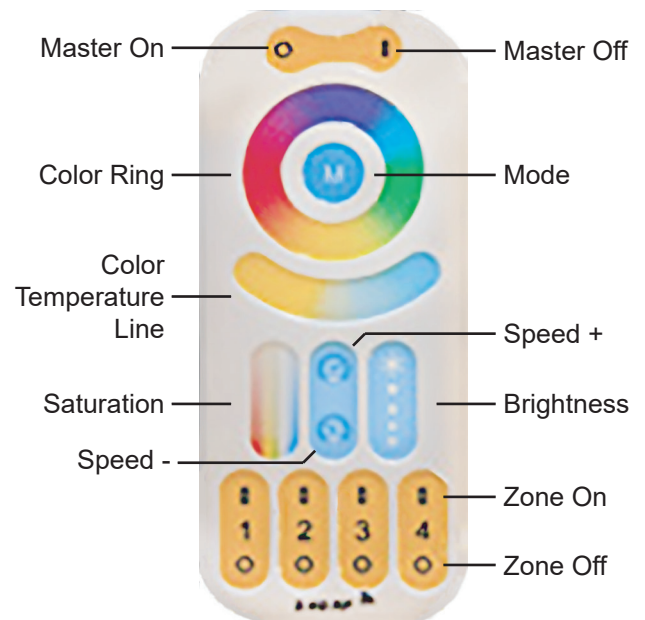
If the fixture does not operate correctly:

1. Check the incoming voltage to the LED driver(s). The voltage must be per fixture label.
2. If all LEDs do not illuminate, the driver(s) may be disconnected. Ensure that the driver(s) are secure. If secure, use a multimeter to check the voltages at the output. If the voltage is low or there is no voltage, consult the factory.
3. If some, but not all of the LEDs are illuminated, consult the factory for additional technical support.

### Remote Controller Controls (Fig. 12)

Master On	Turns on all lights. Press and hold to change the color of all lights to white.
Master Off	Turns off all lights. Press and hold to set the lights to night light mode.
Color Ring	Changes the color of the lights to the selected color.
Color Temperature Line	Changes the color of the lights to white. Pressing again will change the CCT.
Brightness	Changes the brightness of the lights.
Speed +	Increases the rate at which the lights change color.
Speed -	Decreases the rate at which the lights change color.
Zone On	Turns on all lights in the zone. Press and hold to change the color of all lights in the zone to white.
Zone Off	Turns off all lights in the zone. Press and hold to set the lights to night light mode.

**Fig. 12**



### Setup

1. Turn off power to the fixture for 5 seconds, then restore power.
2. For the desired zone, press the "Zone On" button repeatedly.
3. If the fixture illuminates 3 times slowly, it has successfully been linked to the remote. Otherwise, repeat the procedure from step 1.

### Unlinking a Fixture from the Remote

1. Turn off power to the fixture for 5 seconds, then restore power.
2. For the desired zone, press the "Zone On" button repeatedly.
3. If the fixture blinks 10 times, it has successfully been unlinked from the remote. Otherwise, repeat the procedure from step 1.

**Note:** If the indicator LED is blinking rapidly, the battery is low and needs to be replaced.

Successful operation depends on the environment. Try to avoid areas that will affect communication between the controller and fixture.