

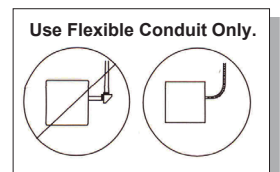


IMPORTANT SAFEGUARDS READ AND FOLLOW ALL SAFETY INSTRUCTIONS.

When using electrical equipment, basic safety precautions should always be followed including the following:

- **DISCONNECT AC POWER SUPPLY BEFORE SERVICING.**
- Installation and servicing of this equipment should be performed by qualified service personnel only.
- Ensure that the electrical wiring conforms to the National Electrical Code NEC® and local regulations if applicable.
- Do not mount near gas or electrical heaters.
- Do not use outdoors.
- Equipment should be mounted in locations and at heights where it will not be readily subjected to tampering by unauthorized personnel.
- The use of accessory equipment not recommended by the manufacturer may cause an unsafe condition.
- Any modification or use of non-original components will void the warranty and product liability.
- Do not use this equipment for other than intended use.
- Allow battery to charge for 24 hours before first use.

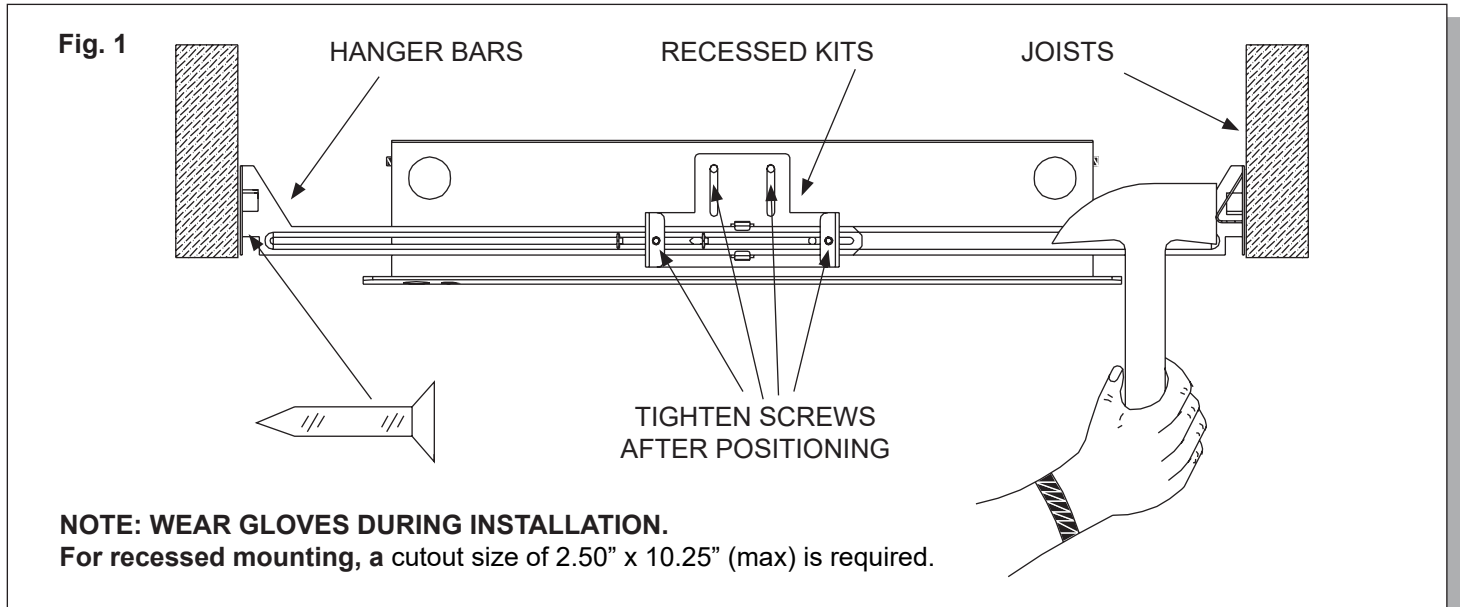
SAVE THESE INSTRUCTIONS!



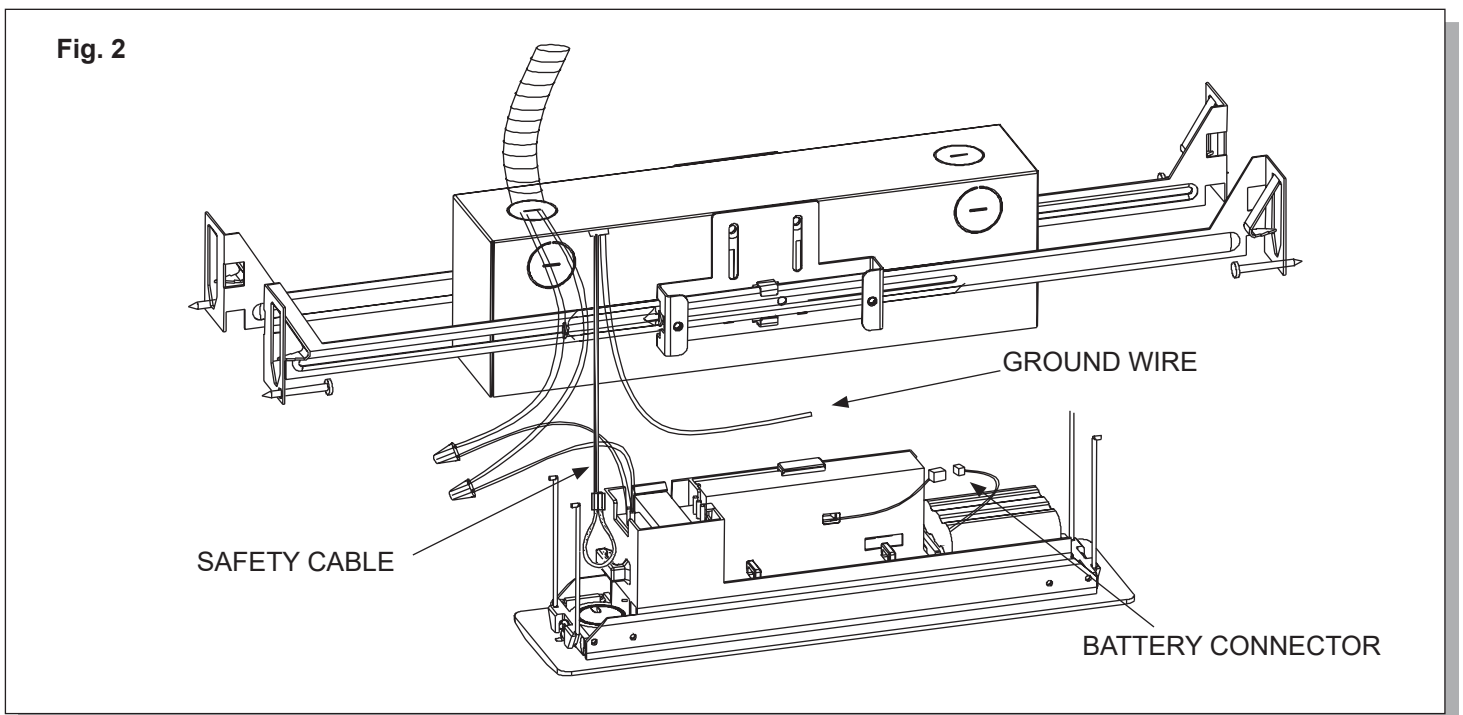
Technical Support ■ (623) 580-8943 ■ technicalsupport@barronltg.com

Recessed Ceiling or Recessed Wall Mount

1. Position **recessed kits** between **joists**. Make sure **hanger bars** are hung in the correct position. Position recessed kits temporarily by hammering "nail-in" tabs on hanger bars, then secure permanently with nails. Hanger bars should be level with bottom of joists. Adjust height of recessed kits vertically using adjusting slots and then **tightening all screws** on adjusting slots and hanger bar brackets to secure adjusting bracket and hanger bars. (Fig. 1)

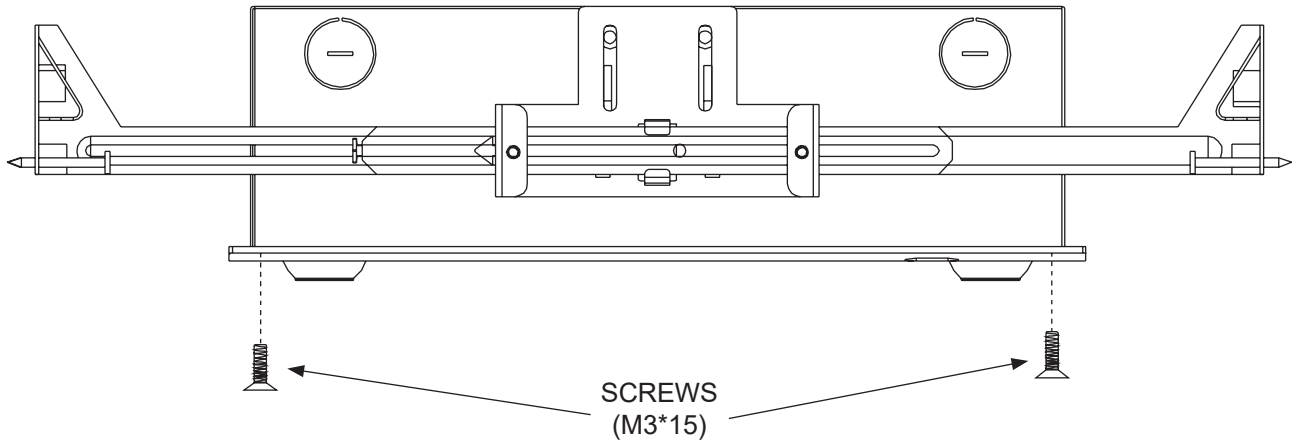


2. Remove 2 (M3*15) screws from trimplate then release from recessed box by depressing the two sides of the springs to remove the module.
3. Hang the safety cable to the clip on the module. (Fig. 2)



4. Connect the battery and make electrical connections (see **Electrical Connections** below).
5. Reassemble trimplate using the 2 (M3*15) screws that were previously removed. (Fig. 3)

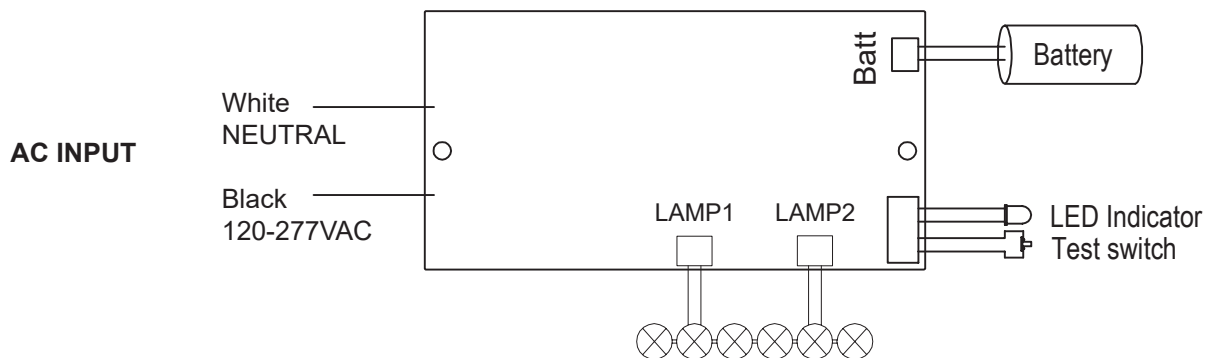
Fig. 3



Electrical Connections

- Make the proper supply wire connections.
- For 120-277VAC, connect the black and white wires to the building utility. (Fig. 4)
- Cap off unused wires. In all cases, use standard wire nuts in connection to wires.

Fig. 4



Self-test/Self-diagnostics Instructions

1. When AC power is supplied to fixture, the unit will automatically initiate a self-test and self-diagnostic test as follows:

- Verifies battery disconnection, charger board failure at every 5 seconds.
- 1 minute self-testing every month.
- 30 minutes self-testing on every 6 months after installation.
- 90 minutes self-testing on every 12 months after installation.

2. Dual color LED lamp indicator shows the following status:

- Green color: On / Ready
 Blinking: Testing
- Red color: (Service Alert)
- Service Alert LED Code (Red color LED lamp indicator)

●	One blink, 4 second pause	Battery is not connected
● ●	Two blinks, 4 second pause	Battery voltage too low
● ● ●	Three blinks, 4 second pause	Charger board circuit failure
● ● ● ●	Four blinks, 4 second pause	Transfer function failure
● ● ● ● ●	Five blinks, 4 second pause	Integral lamp failure

Note: After solving the fault of emergency equipment, please press test button for 2 seconds then release to reset. LED indicator will show green.

3. A manual test function is also available, press test button as follows:

Press test button once	30 seconds discharge test
Press test button twice within 2 seconds	3 minutes discharge test
Press test button 3 times within 2 seconds	30 minutes discharge test
Press test button 4 times within 2 seconds	90 minutes discharge test