

DESCRIPTION

The REF Series leverages LED technology to provide a flush, recessed, ceiling mount emergency lighting unit. Six LED lamps will provide bright, uniform illumination at various mounting heights along the path of egress allowing up to 54' spacing. With no lamp adjustments required, it is a no-fuss, hassle-free installation. The REF series LED emergency unit is particularly well-suited for commercial and architectural applications where safety and low maintenance are essential. It is ideal for use in schools, office buildings and public locations with low ceiling heights needing a low-profile aesthetic. The REF series can deliver code-required egress illumination while keeping visual clutter to a minimum.

FEATURES & BENEFITS

- Architectural flush recessed ceiling mount
- Fixed position, low profile lamps eliminate the need for adjusting lamps
- Up to 54' spacing
- UL 924 Listed for Damp Locations
- Optional Self-test/Self-diagnostics

SPECIFICATIONS

Illumination: Six fixed LED lamps, 0.22W each, 0.65W each with the Performance optics (P) option

Construction: Extruded aluminum trimplate, 20 GA steel enclosure

Input: 120-277VAC, 50/60Hz

Battery: Maintenance-free LiFePO₄ battery

Operating Temp: 5°C to 50°C (41°F to 122°F)

Run Time: UL Listed 90 minute emergency run time, 24 hour recharge time

Mounting: Ceiling or wall recessed

Finishes: Black, Brushed Aluminum or White

Options: G2 - Self-test/Self-diagnostics
P - Performance Optics

Certifications: UL 924 Listed for Damp Locations, meets or exceeds NFPA 101 Life Safety Code, NEC, OSHA requirements

Warranty: Any component that fails due to a manufacturing defect is guaranteed for five years with a separate five year prorated warranty on the battery. The warranty does not cover physical damage, abuse or instances of uncontrollable natural forces. See the full Exitronix warranty document for detailed information and product registration instructions. (Terms and Conditions apply)

Model: _____ Date: _____
Accessories: _____
Job Name: _____ Type: _____



ORDERING INFORMATION Example: REF-WH-P

Series	Finish	Options (Factory Installed)
REF	BA = Brushed Aluminum	G2 = Self-test/Self-diagnostics
	BL = Black	P = Performance Optics
	WH = White	

ELECTRICAL RATING

Model	LiFePO ₄ Battery	Brownout	Low Voltage Disconnect	Overload Disconnect	Short Circuit Disconnect	Solid State Transfer	Input				Output
							VAC	Hz	mA	W	Lumens
REF-*	3.2V 1500mAh	Yes	Yes	No	Yes	Yes	120-277	50/60	25	1.5	300
REF-*-G2	3.2V 1500mAh	Yes	Yes	No	Yes	Yes	120-277	50/60	25	1.5	300
REF-*-P	6.4V 2000mAh	Yes	Yes	No	Yes	Yes	120-277	50/60	70	5.0	800
REF-*-G2-P	6.4V 2000mAh	Yes	Yes	No	Yes	Yes	120-277	50/60	78	5.0	800

CONSTRUCTION

The REF Series emergency unit trimplate is made of an extruded aluminum alloy and the enclosure is made of fabricated steel and includes hanger bars compatible with drywall or drop ceiling mount installations.

ILLUMINATION

Path of egress illumination is provided by six fixed 0.22W LED lamps, 0.65W each with the Performance optics (P) option.

ELECTRICAL

Input

120-277VAC @ 50/60Hz

Lithium Phosphate (LiFePO₄) Battery

Extronix LiFePO₄ batteries are environmentally friendly as well as thermally and chemically stable which makes them one of the safest batteries to use.

Emergency

The REF Series emergency unit will operate for a minimum of 90 minutes during a loss of power with a 24 hour maximum recharge time for the battery.

Test Button

The test button is easy to locate and provides manual verification of the transfer circuit and emergency lamps.

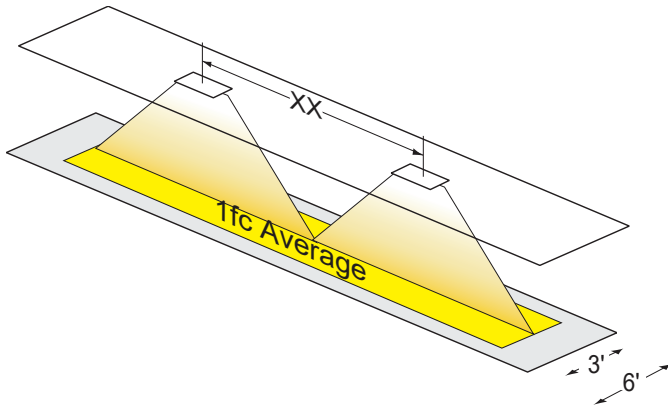
INSTALLATION

Recessed wall or ceiling mount, accessible above the plenum. Electronics and battery are contained in the housing. Plug-in battery connector supplied for easy installation. All hardware is included.

ON-CENTER SPACING (Multiple units mounted at a typical 10 foot height)

Model	# of LED Lamps	3' Path, 6' Corridor
REF-*	2	45'
REF-*-P	2	54'

Barron assumes no responsibility for local requirements or specific project variables. This is a guideline to be used as a design aid, not as a guarantee of any code compliance.



OPTIONS

Guardian G2 Self-test/Self-diagnostics

The Guardian bi-color circuit is factory preset; without any field adjustments needed. It continuously monitors the performance condition of the AC power, battery supply, and charging circuitry.

The intent of this option is to provide visual signaling to identify fault at the Exit. Fault indicators are as follows:

- Green: On/Ready
Blinking: Testing
- Red: Service Alert
- Service Alert LED Code (Red LED Lamp Indicator)

•	One blink, 4 sec pause	Battery is not connected
••	Two blinks, 4 sec pause	Battery voltage too low
•••	Three blinks, 4 sec pause	Charger board circuit failure
••••	Four blinks, 4 sec pause	Transfer function failure
•••••	Five blinks, 4 sec pause	Integral lamp failure

NOTE: After solving the fault of the emergency equipment, press the test button for two seconds without releasing to reset. LED indicator will show green.

Self-testing/Self-diagnostics also has a manual test function, press test button as follows:

Press test button once	30 Second discharge test
Press test button twice within two seconds	3 Minute discharge test
Press test button three times within two seconds	30 Minute discharge test
Press test button four times within two seconds	90 Minute discharge test

Performance Optics (P)

The Extronix brand offers a wide range of life safety products that offer various spacing distances. When Performance Optics are offered, you can be assured that optimized light output will produce maximum spacing. For the REF series, this means up to 54' spacing can be achieved.

CONFORMANCE TO CODES & STANDARDS

The REF Series is cULus 924 Listed for Wet Locations. The series meets or exceeds the CEC and NEC requirements as well as NFPA 101.

DIMENSIONS

