

DESCRIPTION

The PTA Series is a decorative post top area light featuring a durable die-cast and sand-cast aluminum housing with a corrosion-resistant powder coated finish. Designed for performance and longevity, it offers lumen packages up to 20,186 lumens with efficacy up to 126 lumens per watt and a long rated life. Available in single or dual arm configurations, the fixture supports Type I, II, III, IV, and V distributions along with multiple CCT options to accommodate a wide range of roadway, parking, and pedestrian lighting applications. A sealed IP66 Rated LED compartment and vandal-resistant lens options ensure reliable operation in harsh outdoor environments, while versatile mounting to standard pole top tenons allows for easy installation.

SPECIFICATIONS

Construction:

- Die-cast and sand-cast aluminum housing with integral heat sinking
- Black powder coated finish over chromate conversion coating for corrosion resistance
- UV-stabilized polycarbonate vandal-resistant lens with integral optics or opal Diffused option

Optics/LEDs:

- 43 to 160 Watts with lumen packages up to 20,186
- Type I, II, III, IV, V
- 3000K, 4000K, 5000K CCT
- 80 CRI
- Efficacy up to 126 lumens per watt
- L70 ≥ 327,000 hours

Electrical:

- 120-277VAC, 50/60Hz
- 0-10V Dimming driver
- Optional 347-480VAC (Option: HVS)
- Power Factor ≥ 0.90

Installation:

- Mounts to pole top tenon
- Accommodates standard "P3" 2 1/8" O.D. x 3" tenons
- Fixture installs directly to tenon and secures in place

Options:

- Battery Backup (Option: BB) Operating Temperatures: 0°C to 50°C (32°F to 122°F)
- Cold Location Battery Backup (Option: CL) Operating Temperatures: -20°C to 50°C (-4°F to 122°F)
- Fuse; Single Fuse (Option: F) or Double Fuse (Option: FD)
- Microwave Motion Sensor with mounting height 8ft - 40ft (Option: SC)
- Twist Lock Photocontrol receptacle; 3-pin (TLPR3), 5-pin (TLPR5), 7-pin (TLPR7)
- Surge Protector; 120-277VAC Surge Protector (Option: SP)

Testing & Compliance:

- cETLus Listed for Wet Locations
- Operating Temperatures: -40°C to 50°C (-40°F to 122°F)
 - 0°C to 50°C (32°F to 122°F) with Battery Backup (Option: BB)
 - -20°C to 50°C (-4°F to 122°F) with Cold Location Battery Backup (Option: CL)
- Buy American Act compliant

Field Installed Accessories:

- 120-277VAC Universal Twist Lock Photocell (PTA-TLPC)
- 480VAC Time Delay Twist Lock Photocell (PTA-TLPC4)

Warranty:

- Five Year Warranty (Terms and Conditions Apply)

Model: _____ Date: _____
 Accessories: _____
 Job Name: _____ Type: _____



Specs at a Glance		
Model	PTA-S	PTA-D
Wattage (W)*	43W - 160W	
Lumens (lm)	4,310 - 20,186	
Efficacy (LPW)	Up to 126	
Distribution	Type I, II, III, IV, V	
CCT (K)	3000K, 4000K, 5000K	
CRI	80	
Input Voltage	120-277VAC or 347-480VAC	
Operating Temp	-40°C to 50°C (-40°F to 122°F)	
Certifications	ETL Listed for Wet Locations	
Warranty	5 Years	

* Nominal Wattage, tested at 4000K CCT. See performance table for details.

Note: Environment and application will affect actual performance. Typical values and 25°C (77°F) used for testing. Specifications subject to change without notice.

ORDERING INFORMATION (Example: PTA-S-43-1-C-VS-3K-BL-BB)

Model	Arm	Wattage	Distribution	Lens	Input Voltage	CCT	Finish
PTA	S = Single Arm	43 = 43 Watt	1 = Type I	C = Clear Polycarbonate Array Lens	VS = 120-277VAC	3K = 3000K	BL = Black
	D = Dual Arm	75 = 75 Watt	2 = Type II	D ¹ = Diffused Opal Polycarbonate Lens	HVS ⁴ = 347-480VAC	4K = 4000K	
		115 = 115 Watt	3 = Type III			5K = 5000K	
		160 = 160 Watt	4 = Type IV				
			5 = Type V				

Options	Accessories ⁴ (Field installed, order as separate line item)
BB ² = Battery Backup	PTA-TLPC = 120-277VAC Universal Twist Lock Photocell
CL ² = Cold Location Battery Backup	PTA-TLPC4 = 480VAC Time Delay Twist Lock Photocell. For 480V use only.
F ² = Fuse	
FD ² = Double Fuse	
SC ² = Microwave Motion Sensor, Mounting Height 8ft - 40ft	
SP ² = 120-277VAC Surge Protector	
TLPR3 ³ = 3-Pin Twist Lock Receptacle	
TLPR5 ³ = 5-Pin Twist Lock Receptacle	
TLPR7 ³ = 7-Pin Twist Lock Receptacle	

Notes:

- ¹ Type V only
- ² 120-277VAC Only
- ³ Order Photocontrol as a separate line item, see Accessories
- ⁴ Order as separate line item - Shipped in separate box for final installation in the field

PERFORMANCE DATA

Model	Wattage	CCT	Lumens	LPW	BUG Rating	CRI
PTA-S-43-1	42.2W	3000K	4,891	116	B2-U0-G1	80
PTA-S-43-1	42.2W	4000K	5,100	121	B2-U0-G1	80
PTA-S-43-1	42.2W	5000K	5,288	125	B2-U0-G1	80
PTA-S-43-2	42.2W	3000K	4,912	116	B1-U0-G1	80
PTA-S-43-2	42.2W	4000K	5,111	121	B1-U0-G1	80
PTA-S-43-2	42.2W	5000K	4,310	102	B1-U0-G1	80
PTA-S-43-3	42.2W	3000K	4,932	117	B2-U0-G2	80
PTA-S-43-3	42.2W	4000K	5,132	122	B2-U0-G2	80
PTA-S-43-3	42.2W	5000K	5,331	126	B2-U0-G2	80
PTA-S-43-4	42.2W	3000K	4,500	107	B1-U0-G2	80
PTA-S-43-4	42.2W	4000K	4,682	111	B1-U0-G2	80
PTA-S-43-4	42.2W	5000K	4,865	115	B1-U0-G2	80
PTA-S-43-5	42.2W	3000K	4,935	117	B3-U0-G1	80
PTA-S-43-5	42.2W	4000K	5,135	122	B3-U0-G1	80
PTA-S-43-5	42.2W	5000K	5,334	126	B3-U0-G1	80
PTA-S-75-1	74.1W	3000K	7,979	108	B3-U0-G2	80
PTA-S-75-1	74.1W	4000K	8,302	112	B3-U0-G2	80
PTA-S-75-1	74.1W	5000K	8,626	116	B3-U0-G2	80
PTA-S-75-2	74.1W	3000K	8,629	116	B2-U0-G2	80
PTA-S-75-2	74.1W	4000K	8,979	121	B2-U0-G2	80
PTA-S-75-2	74.1W	5000K	9,328	126	B2-U0-G2	80
PTA-S-75-3	74.1W	3000K	8,663	117	B2-U0-G2	80
PTA-S-75-3	74.1W	4000K	9,015	122	B2-U0-G2	80
PTA-S-75-3	74.1W	5000K	9,366	126	B2-U0-G2	80
PTA-S-75-4	74.1W	3000K	7,905	107	B2-U0-G3	80
PTA-S-75-4	74.1W	4000K	8,226	111	B2-U0-G3	80
PTA-S-75-4	74.1W	5000K	8,546	115	B2-U0-G3	80
PTA-S-75-5	74.1W	3000K	8,669	117	B3-U0-G2	80
PTA-S-75-5	74.1W	4000K	9,021	122	B3-U0-G2	80
PTA-S-75-5	74.1W	5000K	9,372	126	B3-U0-G2	80

Specifications are subject to change without notice.
 Installation must be performed in accordance with
 Barron Lighting Group installation instructions.

PERFORMANCE DATA (continued)

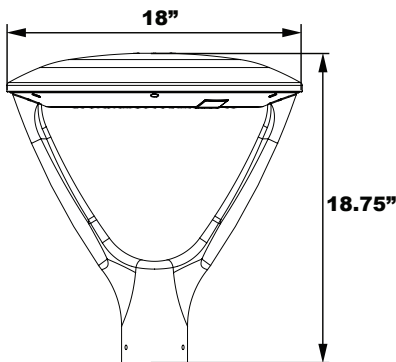
Model	Wattage	CCT	Lumens	LPW	BUG Rating	CRI
PTA-S-115-1	114W	3000K	12,276	108	B3-U0-G3	80
PTA-S-115-1	114W	4000K	12,774	112	B3-U0-G3	80
PTA-S-115-1	114W	5000K	13,282	117	B3-U0-G3	80
PTA-S-115-2	114W	3000K	13,275	116	B2-U0-G2	80
PTA-S-115-2	114W	4000K	13,814	121	B2-U0-G2	80
PTA-S-115-2	114W	5000K	14,352	126	B2-U0-G2	80
PTA-S-115-3	114W	3000K	13,329	117	B3-U0-G3	80
PTA-S-115-3	114W	4000K	13,869	122	B3-U0-G3	80
PTA-S-115-3	114W	5000K	14,409	126	B3-U0-G3	80
PTA-S-115-4	114W	3000K	12,162	107	B2-U0-G3	80
PTA-S-115-4	114W	4000K	12,656	111	B2-U0-G3	80
PTA-S-115-4	114W	5000K	13,148	115	B2-U0-G3	80
PTA-S-115-5	114W	3000K	13,337	117	B4-U0-G2	80
PTA-S-115-5	114W	4000K	13,878	122	B4-U0-G2	80
PTA-S-115-5	114W	5000K	14,419	126	B4-U0-G2	80
PTA-S-160-1	159.6W	3000K	17,187	108	B4-U0-G3	80
PTA-S-160-1	159.6W	4000K	17,883	112	B4-U0-G3	80
PTA-S-160-1	159.6W	5000K	18,580	116	B4-U0-G3	80
PTA-S-160-2	159.6W	3000K	18,585	116	B3-U0-G3	80
PTA-S-160-2	159.6W	4000K	19,339	121	B3-U0-G3	80
PTA-S-160-2	159.6W	5000K	20,092	126	B3-U0-G3	80
PTA-S-160-3	159.6W	3000K	18,660	117	B3-U0-G3	80
PTA-S-160-3	159.6W	4000K	19,417	122	B3-U0-G3	80
PTA-S-160-3	159.6W	5000K	20,173	126	B3-U0-G3	80
PTA-S-160-4	159.6W	3000K	17,026	107	B3-U0-G4	80
PTA-S-160-4	159.6W	4000K	17,717	111	B3-U0-G4	80
PTA-S-160-4	159.6W	5000K	18,407	115	B3-U0-G4	80
PTA-S-160-5	159.6W	3000K	18,672	117	B4-U0-G2	80
PTA-S-160-5	159.6W	4000K	19,430	122	B4-U0-G2	80
PTA-S-160-5	159.6W	5000K	20,186	126	B4-U0-G2	80
PTA-D-43-1	42.2W	3000K	4,520	107	B2-U0-G1	80
PTA-D-43-1	42.2W	4000K	4,704	111	B2-U0-G1	80
PTA-D-43-1	42.2W	5000K	4,887	116	B2-U0-G1	80
PTA-D-43-2	42.2W	3000K	4,539	108	B1-U0-G1	80
PTA-D-43-2	42.2W	4000K	4,723	112	B1-U0-G1	80
PTA-D-43-2	42.2W	5000K	4,907	116	B1-U0-G1	80
PTA-D-43-3	42.2W	3000K	4,557	108	B2-U0-G2	80
PTA-D-43-3	42.2W	4000K	4,742	112	B2-U0-G2	80
PTA-D-43-3	42.2W	5000K	4,927	117	B2-U0-G2	80
PTA-D-43-4	42.2W	3000K	4,340	103	B1-U0-G2	80
PTA-D-43-4	42.2W	4000K	4,516	107	B1-U0-G2	80
PTA-D-43-4	42.2W	5000K	4,692	111	B1-U0-G2	80
PTA-D-43-5	42.2W	3000K	4,560	108	B3-U0-G1	80
PTA-D-43-5	42.2W	4000K	4,745	112	B3-U0-G1	80
PTA-D-43-5	42.2W	5000K	4,930	117	B3-U0-G1	80
PTA-D-75-1	74.1W	3000K	7,375	100	B3-U0-G2	80
PTA-D-75-1	74.1W	4000K	7,673	104	B3-U0-G2	80
PTA-D-75-1	74.1W	5000K	7,972	108	B3-U0-G2	80
PTA-D-75-2	74.1W	3000K	7,974	108	B2-U0-G1	80
PTA-D-75-2	74.1W	4000K	8,298	112	B2-U0-G1	80
PTA-D-75-2	74.1W	5000K	8,620	116	B2-U0-G1	80
PTA-D-75-3	74.1W	3000K	8,006	108	B2-U0-G2	80
PTA-D-75-3	74.1W	4000K	8,331	112	B2-U0-G2	80
PTA-D-75-3	74.1W	5000K	8,655	117	B2-U0-G2	80

Specifications are subject to change without notice.
 Installation must be performed in accordance with
 Barron Lighting Group installation instructions.

PERFORMANCE DATA (continued)

Model	Wattage	CCT	Lumens	LPW	BUG Rating	CRI
PTA-D-75-4	74.1W	3000K	7,624	103	B2-U0-G3	80
PTA-D-75-4	74.1W	4000K	7,933	107	B2-U0-G3	80
PTA-D-75-4	74.1W	5000K	8,242	111	B2-U0-G3	80
PTA-D-75-5	74.1W	3000K	8,011	108	B3-U0-G2	80
PTA-D-75-5	74.1W	4000K	8,336	112	B3-U0-G2	80
PTA-D-75-5	74.1W	5000K	8,661	117	B3-U0-G2	80
PTA-D-115-1	114W	3000K	11,345	100	B3-U0-G3	80
PTA-D-115-1	114W	4000K	11,804	104	B3-U0-G3	80
PTA-D-115-1	114W	5000K	12,264	108	B3-U0-G3	80
PTA-D-115-2	114W	3000K	12,268	108	B2-U0-G2	80
PTA-D-115-2	114W	4000K	12,766	112	B2-U0-G2	80
PTA-D-115-2	114W	5000K	13,262	116	B2-U0-G2	80
PTA-D-115-3	114W	3000K	12,317	108	B3-U0-G3	80
PTA-D-115-3	114W	4000K	12,817	112	B3-U0-G3	80
PTA-D-115-3	114W	5000K	13,315	117	B3-U0-G3	80
PTA-D-115-4	114W	3000K	11,418	100	B2-U0-G3	80
PTA-D-115-4	114W	4000K	11,881	104	B2-U0-G3	80
PTA-D-115-4	114W	5000K	12,343	108	B2-U0-G3	80
PTA-D-115-5	114W	3000K	12,325	108	B4-U0-G2	80
PTA-D-115-5	114W	4000K	12,826	113	B4-U0-G2	80
PTA-D-115-5	114W	5000K	13,324	117	B4-U0-G2	80
PTA-D-160-1	159.6W	3000K	15,880	99	B4-U0-G3	80
PTA-D-160-1	159.6W	4000K	16,526	104	B4-U0-G3	80
PTA-D-160-1	159.6W	5000K	17,170	108	B4-U0-G3	80
PTA-D-160-2	159.6W	3000K	17,174	108	B3-U0-G3	80
PTA-D-160-2	159.6W	4000K	17,871	112	B3-U0-G3	80
PTA-D-160-2	159.6W	5000K	18,567	116	B3-U0-G3	80
PTA-D-160-3	159.6W	3000K	17,246	108	B3-U0-G3	80
PTA-D-160-3	159.6W	4000K	17,943	112	B3-U0-G3	80
PTA-D-160-3	159.6W	5000K	18,641	117	B3-U0-G3	80
PTA-D-160-4	159.6W	3000K	15,753	99	B3-U0-G4	80
PTA-D-160-4	159.6W	4000K	16,392	103	B3-U0-G4	80
PTA-D-160-4	159.6W	5000K	17,030	107	B3-U0-G4	80
PTA-D-160-5	159.6W	3000K	17,255	108	B4-U0-G2	80
PTA-D-160-5	159.6W	4000K	17,955	113	B4-U0-G2	80
PTA-D-160-5	159.6W	5000K	18,653	117	B4-U0-G2	80

DIMENSIONS



Specifications are subject to change without notice.
 Installation must be performed in accordance with
 Barron Lighting Group installation instructions.