

The NXFE Series is a part of the NXF family of NEMA 4X and UL-EPH Classified emergency lighting solutions for extreme commercial and heavy industrial environments. The NXF family offers protection against humidity, dust, and water infiltration and is comprised of the [NXFX \(Exit Sign\)](#), [NXFC \(Exit Combo\)](#), [NXFE \(Emergency Lighting Unit\)](#), and [NXFR \(Remote Head\)](#). The reinforced polycarbonate enclosure with impact-resistant, UV-stable polycarbonate lens is suitable for vandal-prone areas and Wet Locations.

Model: \_\_\_\_\_ Date: \_\_\_\_\_  
 Accessories: \_\_\_\_\_  
 Job Name: \_\_\_\_\_ Type: \_\_\_\_\_

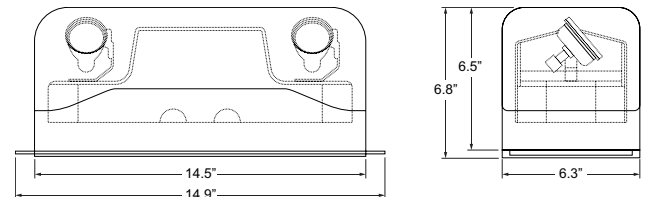


### FEATURES

- NEMA 4X Certified
- UL-EPH Classified
- IP66 Rated
- Provides 7.8W, 28.8W and 46.8W of remote capacity with 15W, 36W and 54W models respectively; compatible with [NXFR remote heads](#)
- Touchless, magnetically operated test switch (non-AC models only)
- Up to 52' on-center spacing

### SPECIFICATIONS

Illumination:	Two 3.6W LED MR16 style lamp heads with 219 lumens each
Housing:	NEMA 4X rated polycarbonate enclosure, polycarbonate lens and stainless steel hardware
Battery:	Maintenance-free sealed lead calcium or NiCad battery
Electrical Input:	120/277VAC Dual primary, 60Hz
Operating Temp:	15W Models: 0°C to 50°C (32°F to 122°F) 36W and 54W Models: 10°C to 40°C (50°F to 104°F) Cold Location option: -25°C to 50°C (-13°F to 122°F)
Run Time:	90 Minute emergency run time, 24 hour recharge time; alternate run times available - consult factory
Mounting:	Back/wall mount
Finishes:	Black or White
Certifications:	UL 924 Listed for Wet Locations Meets NFPA 101 Life Safety Code, NEC, OSHA ANSI/UL Classified for use in food service operations NEMA 4X and IP66 Rated
Warranty:	Any component that fails due to a manufacturing defect is guaranteed for five years with a separate two year prorated warranty for sealed lead calcium batteries and five year prorated warranty for NiCad batteries. The warranty does not cover physical damage, abuse or instances of uncontrollable natural forces. See the full Exitronix warranty document for detailed information.



### ORDERING INFORMATION Example: NXFE-6-36-BL-G2

Series	Voltage	Wattage <sup>1</sup>	Finish	Options (Factory Installed)
NXFE	6 = 6 Volt	15 <sup>2</sup> = 15 Watts	BL = Black	CL <sup>4</sup> = Cold Location -25°C to 50°C (-13°F to 122°F)
	12 = 12 Volt	36 <sup>3</sup> = 36 Watts	WH = White	G2 = Self-test/Self-diagnostics
		54 <sup>3</sup> = 54 Watts		TRH = Tamper-resistant Hardware

#### Notes

- <sup>1</sup> Compatible with [NXFR](#) single or double remote lamp heads
- <sup>2</sup> NiCad battery only
- <sup>3</sup> Sealed lead calcium battery only
- <sup>4</sup> Available only with 15W units

**CONSTRUCTION**

The NXFE Series enclosure is made of UV-stable, reinforced polycarbonate coupled with a polycarbonate lens, corrosion-resistant hardware, and a molded gasket to provide protection for the equipment inside against ingress of solid foreign objects (dust) and water.

**ILLUMINATION**

Two (2) fully adjustable, attractive lamp heads allow for maximum light to be delivered to the path of egress. Emergency lights feature three LEDs x 1.1W per LED for 3.6W per lamp head that deliver 219 lumens in each MR16 style lamp head to provide optimal center-to-center spacing. Compatible with **NXFR** single or double remote lamp heads.

**ELECTRICAL**

**Input**

Dual-voltage input 120/277VAC @ 60Hz.

**Battery/Charger/Indicator**

Maintenance-free 6V/12V long-life, rechargeable nickel-cadmium batteries for 15W models. Maintenance-free 6V/12V long-life, rechargeable sealed lead acid batteries for 36W and 54W models. Fully automatic solid-state, two rate charger initiates battery charging to recharge a discharged battery within 24 hours (36 hours on 54W models). The internal solid-state transfer switch automatically connects the internal battery to power the LED board for a minimum of 90 minutes of illumination during the loss of utility power. A bi-color LED indicator light alerts occupant on battery condition (Green-normal, Red-check battery).

**Test Button**

The NXFE uses a touchless, magnetic test switch (non-AC models only) along with an LED light indicator for code compliance testing.

**INSTALLATION**

Universal knockout pattern on back provided with gasket for watertight seal for back mount.

**OPTIONS**

**Cold Location Rated (Option: CL)**

The NXFE offers a Cold Location option and extends the temperature range to -25°C to 50°C (-13°F to 122°F). This option is ideal for colder climates or freezer/cold room applications.

**Tamper-Resistant Hardware (Option: TRH)**

Tamper-resistant hardware adds an additional layer of protection to the unit, preventing unwanted access to the interior of the unit or removal of the lens.

**Guardian Self-Test/Self-Diagnostics (Option: G2)**

The Guardian circuit continuously monitors the operating condition of the AC power, battery supply voltage, emergency lamp continuity and charging circuit.

The purpose of this option is to provide visual signaling in response to a fault at the EXIT sign battery and/or battery charger. If a failure is detected, visual status will occur immediately via the CHARGER LED and/or the BATTERY FAULT LED. The LED will stay illuminated until the fault is corrected.

The Guardian circuit also monitors the transfer circuit as well as performing automatic code-compliant testing. The Guardian circuit will perform a 30 second discharge and self-test every 30 days. A 60 minute discharge and self-test is performed every 6 months, and a 90 minute discharge and self-test is performed every 12 months.

Red LED	Unit Fault	Corrective Action
Steady	Battery Disconnected	Check Battery Connection
1 Blink	Electronics Failure	Check Battery Then Consult Factory
2 Blinks	Battery Failure	Check Battery Then Consult Factory
3 Blinks	N/A	N/A
4 Blinks	Emergency Lamp	Check Lamp Connections Then Consult Factory
5 Blinks	Remote Lamp	Check Remote Lamp Connections Then Consult Factory

**NEMA 4X Rated (Standard)**

NEMA 4X rated fixtures are designed for outdoor applications. NEMA 4X rating ensures that the fixtures will withstand contact with falling dirt, moderate or jet-driven water, ice and corrosion. NEMA 4X fixtures are designed to perform in Hose-Down applications.

**IP66 Rated (Standard)**

IP66 rating ensures that the product can be installed in outdoor applications where significant water or dust may come in contact with the fixture. IP66 rated fixtures are fixtures designed to perform in Hose-Down applications.

**UL-EPH Classified (Standard)**

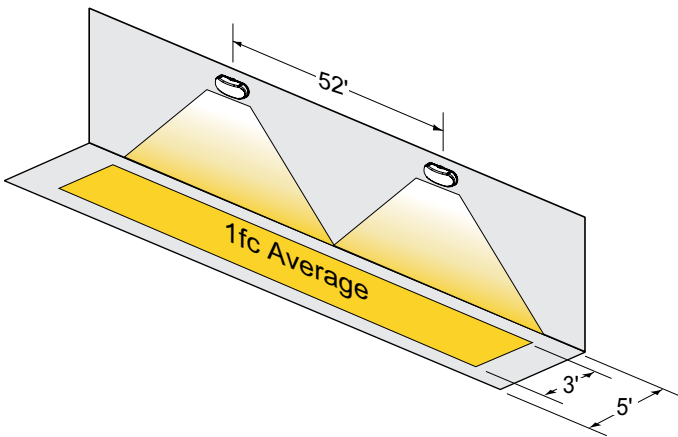
UL-EPH classification ensures that the equipment has been evaluated, tested, and classified to Environmental and Public Health Standards, and certified by ANSI/UL as complying with international commercial food equipment hygiene codes and requirements and that the product can be installed in food processing applications.

**CONFORMANCE TO CODES & STANDARDS**

The NXFE Series is UL 924 Listed for Wet Locations and meets or exceeds the following: NEC requirements and NFPA 101.

**SAMPLE PHOTOMETRICS - 3' PATH OF EGRESS**

Using multiple NXFE units mounted at a typical 7.5' height delivers 52' on-center spacing with a 3' wide path of egress using 80/50/20 reflectances.



**SAMPLE PHOTOMETRICS - 6' PATH OF EGRESS**

Using multiple NXFE units mounted at a typical 7.5' height delivers 48' on-center spacing with a 6' wide path of egress using 80/50/20 reflectances.

