



## IMPORTANT SAFEGUARDS READ AND FOLLOW ALL SAFETY INSTRUCTIONS.

When using electrical equipment, basic safety precautions should always be followed including the following:

- **DISCONNECT AC POWER SUPPLY BEFORE SERVICING.**
- Installation and servicing of this equipment should be performed by qualified service personnel only.
- Ensure that the electrical wiring conforms to the National Electrical Code NEC® and local regulations if applicable.
- Do not mount near gas or electrical heaters.
- Equipment should be mounted in locations and at heights where it will not be readily subjected to tampering by unauthorized personnel.
- The use of accessory equipment not recommended by the manufacturer may cause an unsafe condition.
- Any modification or use of non-original components will void the warranty and product liability.
- Do not use this equipment for other than intended use.

## SAVE THESE INSTRUCTIONS!

Technical Support ■ (623) 580-8943 ■ [technicalsupport@barrontg.com](mailto:technicalsupport@barrontg.com)

# NHBL Series

## Installation Instructions

### Installation

#### Cable Mount (Fig. 1)

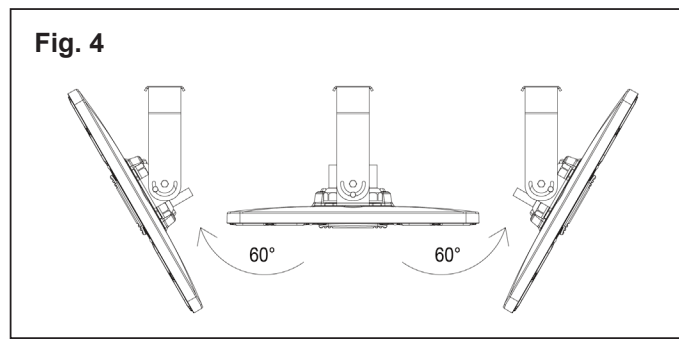
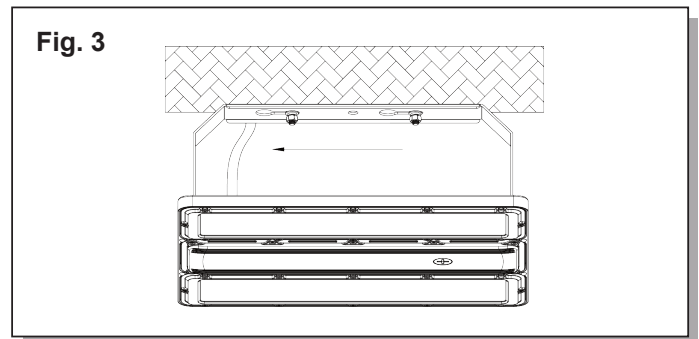
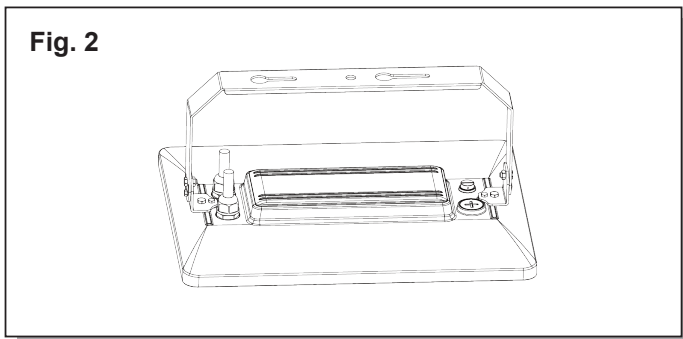
1. Attach S-hook of steel cables (provided) to the rings on each end of the fixture, as shown. Hang from the ceiling with appropriate hardware supplied by others.
2. Make suitable waterproof electrical connections; see **Electrical Connections** section.
3. If adjustable cables are used, adjust the height of the fixture using the cable adjusters by depressing the plunger pin and adjusting the cable length. Be sure that the fixture is level with the ground.

**NOTE:** Adjustable cables are not NSF rated.

**IMPORTANT:** Weatherproof your installation. Be sure to seal all holes in the enclosure, such as the mounting, conduit, plugs, sensors, and photocontrols with silicone sealant.

#### Surface Mount

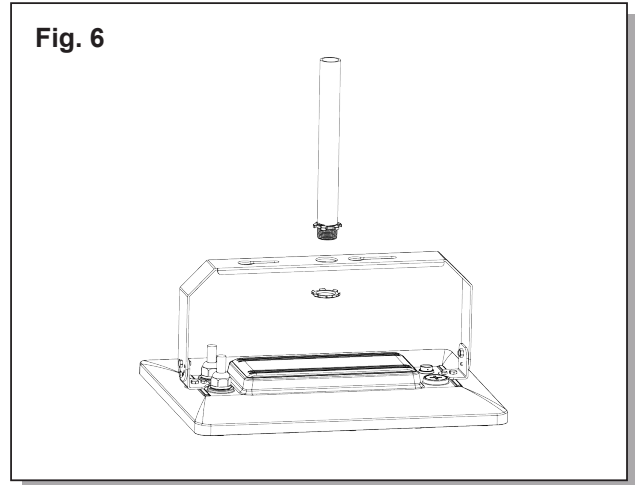
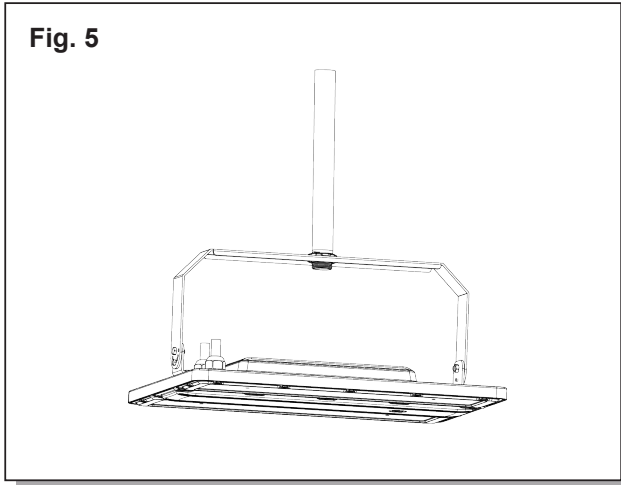
1. Secure the mounting bracket to the fixture with the hardware (Fig. 2).
2. Attach the surface mount bracket to the ceiling by aligning the holes in the mounting bracket with the screws installed in surface (supplied by others) and push the product to one side (Fig. 3).
3. Make suitable waterproof electrical connections; see **Electrical Connections** sections.
4. After installation is finished, the fixture can be adjusted to maximum 60 degrees left or right by locking the angle adjustment screws (Fig. 4).



**IMPORTANT:** Weatherproof your installation. Be sure to seal all holes in the enclosure, such as the mounting, conduit, plugs, sensors, and photocontrols with silicone sealant.

### Pendant Mount

1. Attach the 3/4" conduit pipe (provided by others) to the mounting bracket (Fig. 5) and secure the mounting bracket to the fixture with the hardware (Fig. 6).
2. Make suitable waterproof electrical connections; see **Electrical Connections** section.

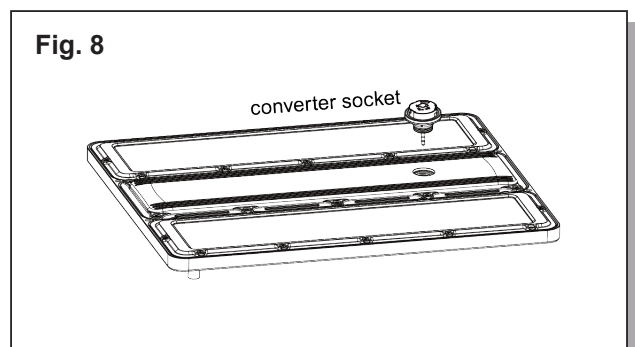
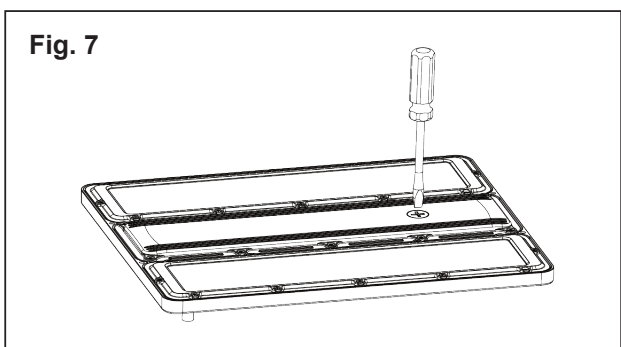


**IMPORTANT:** Weatherproof your installation. Be sure to seal all holes in the enclosure, such as the mounting, conduit, plugs, sensors, and photocontrols with silicone sealant.

### Motion Sensor Information and Operation (Optional)

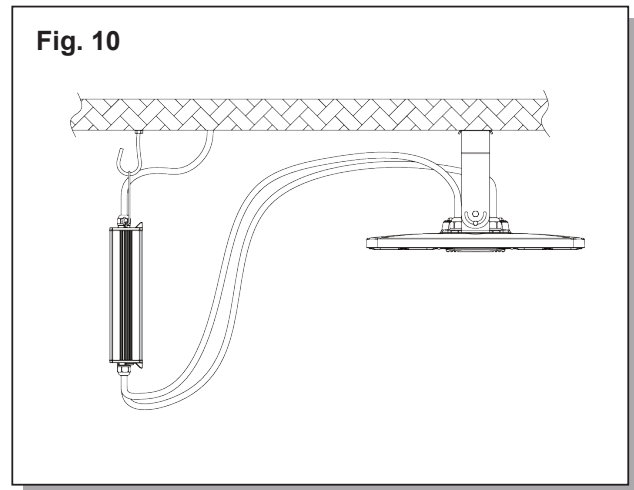
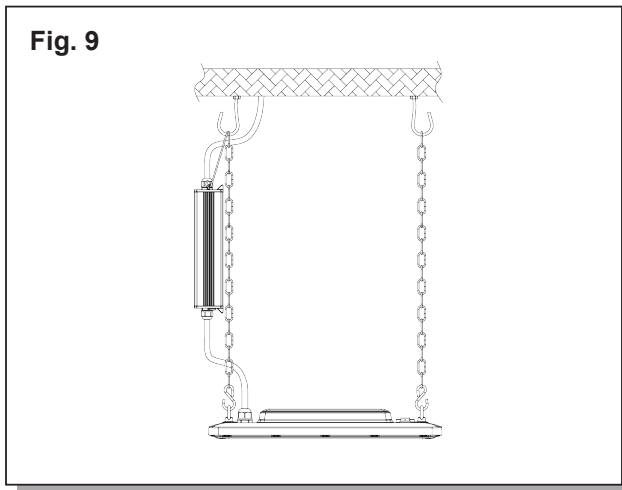
1. Remove the 1/2" plug on the front of the fixture via a screwdriver (Fig. 7).
2. Insert the sensor and tighten it clockwise (Fig. 8).
3. The motion sensor has DIP switches set at the manufacturer's default settings. The default DIP switch settings are listed in the motion sensor DIP switch settings diagram on the spec sheet. The motion sensor DIP switches are only accessible from within the housing.
4. The motion sensor settings can be overridden by the remote control, TL-MSSW-REMOTE (sold separately). Full motion sensor instructions are on the Barron Lighting Group website.

**Note:** When the emergency function and sensor are used at the same time, the sensor's stand-by time is less than 90 minutes. The sensor's stand-by time prevails. To prepare the emergency for 90 minutes, set the sensor's stand-by time to more than 90 minutes.



### Emergency Battery Backup Installation (Optional)

1. The emergency kits can be suspended with the fixture (Fig. 9).
2. If fixture is surface mounted with bracket, mount emergency unit to ceiling by hook in close proximity to the fixture. The output cord between the emergency unit and fixture must not exceed 19.5 in (50 cm) (Fig. 10).
3. Make suitable waterproof electrical connections; see **Electrical Connections** section.



### Electrical Connections

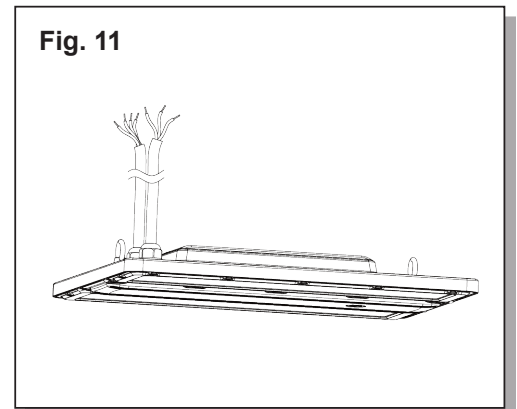
All electrical connections should be made inside the junction box. Make electrical connection as follows:

#### Standard Wiring Diagram (Fig. 12)

Black - 120-347VAC or 277-480VAC (HVS models), Switched or Unswitched  
White - Neutral  
Green / Yellow Green - Ground  
Purple - Dim +  
Pink - Dim -  
Black White - 12VDC Auxiliary

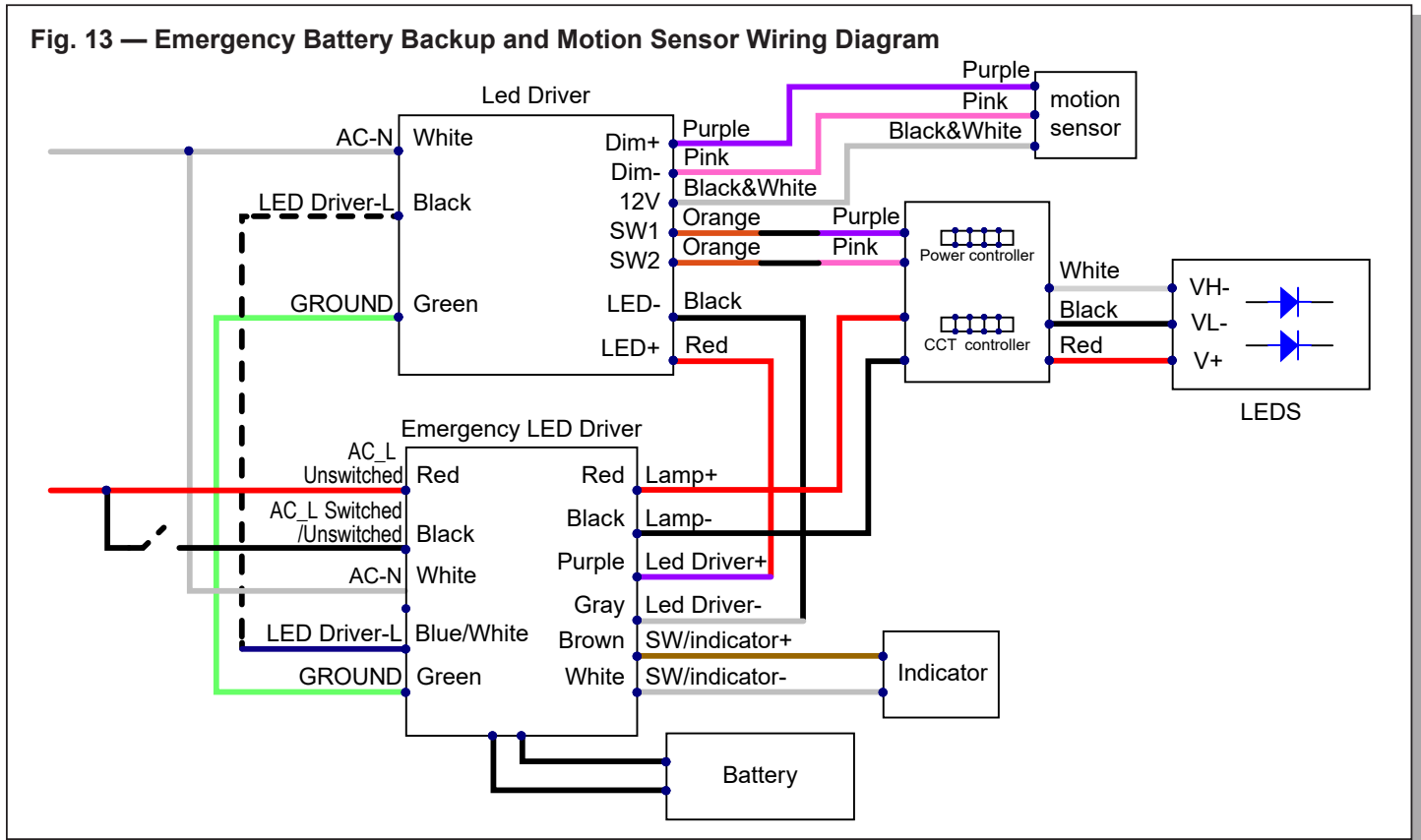
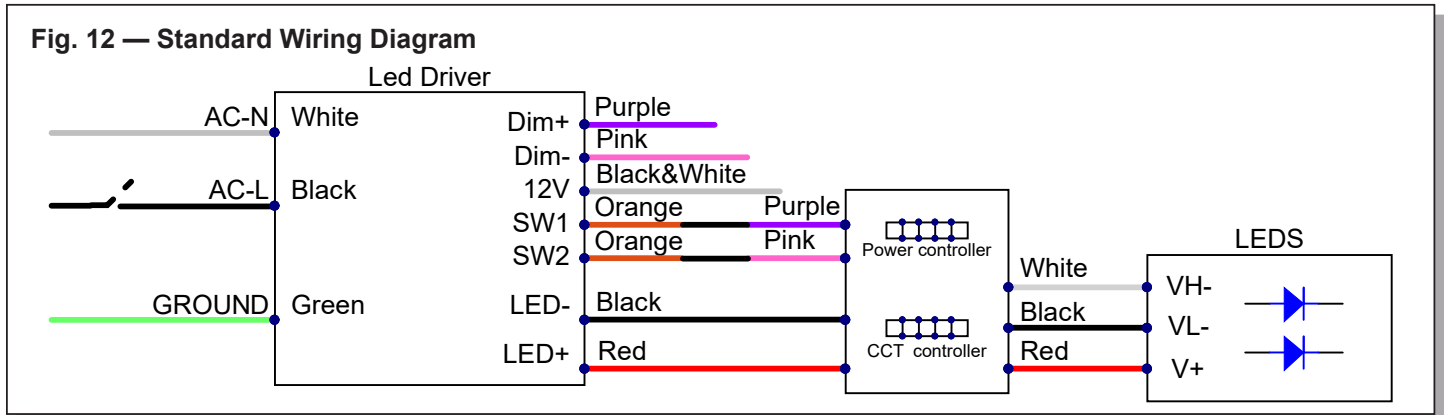
#### Emergency Battery Backup and Motion Sensor Wiring Diagram (Fig. 13)

Black - 120-347VAC or 277-480VAC (HVS models), Switched or Unswitched  
Red - 120-347VAC or 277-480VAC (HVS models), Unswitched  
White - Neutral  
Green / Yellow Green - Ground  
Purple - Dim +  
Pink - Dim -  
Black White - 12VDC Auxiliary



**Note:** Cap unused leads to prevent shorting. This fixture auto adjusts for voltages between 120VAC-347VAC or 277VAC-480VAC. The fixture comes supplied with a 3 conductor cord for line, common, and ground, and a 4 conductor line for dimming and emergency battery backup (Fig. 11).

### Electrical Connections, Continued (Fig. 12-13)



### Wattage and CCT Adjustment

1. Remove the 3/4" plug on the back of the fixture via a screwdriver. (Fig. 14)
2. Slide CCT and Wattage switches to desired setting, reinstall the plug and tighten it fully. (Fig. 15)

