

**DESCRIPTION**

Introducing our NHBL LED Highbay, a robust and versatile lighting solution engineered for demanding environments. Designed with a durable die-cast aluminum housing and a high impact-resistant IK10 rated polycarbonate lens, this highbay is built to last. There are three power switchable configurations available, offering flexibility between 14,600 - 25,000 lumens (150W), 30,400 - 40,000 lumens (255W) and 33,600 - 49,000 lumens (300W), and CCT options between 3500K, 4000K, and 5000K. The easily accessible switches allow for quick adjustments, maximizing performance with an outstanding efficacy of up to 170 lumens per watt. Tested for the harshest conditions, the NHBL is cULus Listed for Wet Locations, NEMA 4X rated, NSF certified, and IP69K rated, making it ideal for food processing, industrial, and outdoor environments. With DLC PREMIUM qualification and a high operating temperature up to 65°C, this highbay ensures high performance and reliability in any setting.

**SPECIFICATIONS**

**Construction:**

- Robust die-cast aluminum housing in a white finish
- IK10 Rated polycarbonate lens
- IK07 Rated glass lens accessory available
- Built in receptacle on the front panel for easy plug and play sensor installation
- 6' Three conductor whip for building power supply
- 6' Four conductor whip for 0-10V dimming wires and emergency input
- Comes standard with 6' aircraft mounting cable

**Optics/LEDs:**

- Polycarbonate lens (IK10 Rated) offered with an optical lens providing a 90° distribution
- Glass lens (IK07 Rated) accessory with an optical lens providing a 110° distribution
- CCT Switchable between 3500K, 4000K and 5000K
- Power Switchable:
  - 150W (14,600 - 25,000 lumens)
  - 255W (30,400 - 40,000 lumens)
  - 300W (33,600 - 49,000 lumens)
- Switches easily accessible on top of fixture under coin plug cover
- Efficacy up to 170lm/w
- CRI >80

**Electrical:**

- Universal 120-347VAC, 50/60Hz, 277-480VAC option available
- Power Factor > 0.90
- 0-10V Dimming driver
- Built-in drive surge protection L/N-PE: 6kV, L-N: 6kV

**Installation:**

- 6' Cable mount kit included for suspension mount
- 10' Adjustable cable mount kit available (non NSF rated), (NHBL-CTY10)
- AUX sensor receptacle built in the central front of fixture
- Can be surface or stem/pendant mounted with the use of the surface mount kits (NHBL-SMK-SM, NHBL-SMK-LG) (pendant mount will require weatherproof junction box and 3/4" downrod provided by others)

**Accessories:**

- Plug and Play Occupancy Sensors - receptacle built on the central front panel (Operating temperature of -30°C to 60°C (-22°F to 140°F) with sensor installed)
  - Dimming occupancy sensor, PIR, with daylight harvesting capabilities, 3.5mm AUX port (TL-MSP12)
  - Litelogic Wireless Bluetooth PIR Sensor with daylight harvesting capabilities, 12VDC, 3.5mm AUX port ([LE-MS3-AUX-HB1](#))
- Remote for TL-MSP12 occupancy sensor (TL-MSSW-REMOTE)
- 25W External battery backup (120-347VAC) accessory delivers 3,950 lumens for 90 minutes of emergency powered illumination. Rated for temperatures of 0°C to 60°C (32°F to 140°F) (NHBL-BB)
- IK07 Rated glass lenses with 110° beam angle (NHBL-GLSM, NHBL-GLLG)
- Surface mount brackets allow for surface or pendant mount installation (NHBL-SMK-SM, NHBL-SMK-LG)
- 10' Adjustable cable mount kit available (non NSF rated), (NHBL-CTY10)

Model: \_\_\_\_\_ Date: \_\_\_\_\_  
 Accessories: \_\_\_\_\_  
 Job Name: \_\_\_\_\_ Type: \_\_\_\_\_



| Specs at a Glance     |  |                           |                           |
|-----------------------|--|---------------------------|---------------------------|
| <b>Model</b>          | NHBL-150   | NHBL-255                  | NHBL-300                  |
| <b>Length</b>         | 1.4'   | 2'                        | 2'                        |
| <b>Wattage (W)*</b>   | 90W-130W-150W Switchable   | 200W-220W-255W Switchable | 210W-270W-300W Switchable |
| <b>Lumens (lm)</b>    | 14,600 - 25,000  | 30,400 - 40,000           | 33,600 - 49,000           |
| <b>Efficacy (LPW)</b> | Up to 170  |                           |                           |
| <b>CCT (K)</b>        | 3500K-4000K-5000K Switchable   |                           |                           |
| <b>CRI</b>            | ≥80  |                           |                           |
| <b>Input Voltage</b>  | 120-347VAC, 50/60Hz, 277-480VAC                                      | 277-480VAC                | 120-347VAC, 50/60Hz       |
| <b>Operating Temp</b> | -40°C to 65°C (-40°F to 149°F)                                       |                           |                           |
| <b>Certifications</b> | cULus Listed for Wet Locations, IP69K, NSF, NEMA4X, IK10 DLC PREMIUM |                           |                           |
| <b>Warranty</b>       | 5 Years  |                           |                           |

\* Nominal Wattage. Tested at 3500K CCT. Efficacy at 158lm/W.  
 Note: Environment and application will affect performance. Typical values and 25°C used for testing. Specifications subject to change without notice.

**Testing & Compliance:**

- cULus Listed for Wet Locations
- NEMA 4X Rated
- NSF Certified for food equipment, rated for Food Zone, Splash Zone and Non Food Zone
- IP69K Rated
- DesignLights Consortium® (DLC) PREMIUM Qualified (consult QPL for qualified models)
- Operating temperatures: -40°C to 65°C (-40°F to 149°F)

**Warranty:**

- Five Year Warranty (Terms and Conditions Apply)

**Ordering Information** (Example: NHBL-150-VS-CP-P-WH)

| Series | Size/Wattage  | Voltage                                      | CCT   | Lens                   | Finish     |
|--------|---|--|---|------------------------|------------|
| NHBL   | 150 = 90W-130W-100W<br>255 <sup>1</sup> = 200W-220W-255W<br>300 <sup>2</sup> = 210W-270W-300W | VS = 120-347V<br>HVS <sup>3</sup> = 277-480V | CP = CCT & Power Switchable (3500K-4000K-5000K) | P = Polycarbonate Lens | WH = White |

| LiteLogic Sensor Accessories <sup>4</sup> (Field Installed, Order as Separate Line Item) | Accessories <sup>4</sup> (Field Installed, Order as Separate Line Item)      |
|--|--|
| LE-MS3-AUX-HB1 <sup>6</sup> = Bluetooth Enabled Dimming Occupancy Sensor, PIR            | NHBL-BB <sup>6</sup> = 25W Battery Backup Kit                                |
| TL-MSP12 <sup>6</sup> = Dimming Occupancy Sensor, PIR                                    | NHBL-GLSM <sup>5</sup> = Glass Lens Kit for NHBL-150                         |
| TL-MSSW-REMOTE = Remote for Dimming Sensor Accessory (TL-MSP12)                          | NHBL-GLLG <sup>5</sup> = Glass Lens Kit for NHBL-255 & NHBL-300              |
|  | NHBL-SMK-SM = Surface Mount Kit for NHBL-150                                 |
|  | NHBL-SMK-LG = Surface Mount Kit for NHBL-255 & NHBL-300                      |
|  | NHBL-CTY10 = 10' Adjustable Cable Mount Kit w/Integral Y-toggles (Pack of 2) |

**Notes**

- <sup>1</sup> Only available with HVS option (consult factory for more information and lead times)
- <sup>2</sup> Only available with VS option
- <sup>3</sup> Consult factory for more information and lead times
- <sup>4</sup> Order as separate line item
- <sup>5</sup> Consult factory for factory installed option and lead times
- <sup>6</sup> Unit rating is IP65 with use of sensors or battery backup

**PERFORMANCE TABLE**

| Model   | Wattage | CCT   | Lumens | LPW |
|---|---------|-------|--------|-----|
| NHBL-150-VS-CP-P-WH (90W, 3500K, polycarbonate lens)  | 90W     | 3500K | 14,600 | 162 |
| NHBL-150-VS-CP-P-WH (90W, 4000K, polycarbonate lens)  | 90W     | 4000K | 15,300 | 170 |
| NHBL-150-VS-CP-P-WH (90W, 5000K, polycarbonate lens)  | 90W     | 5000K | 14,700 | 163 |
| NHBL-150-VS-CP-P-WH (130W, 3500K, polycarbonate lens) | 130W    | 3500K | 21,100 | 162 |
| NHBL-150-VS-CP-P-WH (130W, 4000K, polycarbonate lens) | 130W    | 4000K | 22,100 | 170 |
| NHBL-150-VS-CP-P-WH (130W, 5000K, polycarbonate lens) | 130W    | 5000K | 21,200 | 163 |
| NHBL-150-VS-CP-P-WH (150W, 3500K, polycarbonate lens) | 150W    | 3500K | 24,384 | 162 |
| NHBL-150-VS-CP-P-WH (150W, 4000K, polycarbonate lens) | 150W    | 4000K | 25,000 | 167 |
| NHBL-150-VS-CP-P-WH (150W, 5000K, polycarbonate lens) | 150W    | 5000K | 24,400 | 163 |
| NHBL-300-VS-CP-P-WH (210W, 3500K, polycarbonate lens) | 210W    | 3500K | 33,600 | 160 |
| NHBL-300-VS-CP-P-WH (210W, 4000K, polycarbonate lens) | 210W    | 4000K | 34,700 | 165 |
| NHBL-300-VS-CP-P-WH (210W, 5000K, polycarbonate lens) | 210W    | 5000K | 34,000 | 162 |
| NHBL-300-VS-CP-P-WH (270W, 3500K, polycarbonate lens) | 270W    | 3500K | 43,000 | 159 |
| NHBL-300-VS-CP-P-WH (270W, 4000K, polycarbonate lens) | 270W    | 4000K | 44,500 | 165 |
| NHBL-300-VS-CP-P-WH (270W, 5000K, polycarbonate lens) | 270W    | 5000K | 43,500 | 161 |
| NHBL-300-VS-CP-P-WH (300W, 3500K, polycarbonate lens) | 300W    | 3500K | 47,854 | 159 |
| NHBL-300-VS-CP-P-WH (300W, 4000K, polycarbonate lens) | 300W    | 4000K | 49,000 | 163 |
| NHBL-300-VS-CP-P-WH (300W, 5000K, polycarbonate lens) | 300W    | 5000K | 48,400 | 161 |

**SAMPLE PHOTOMETRY**

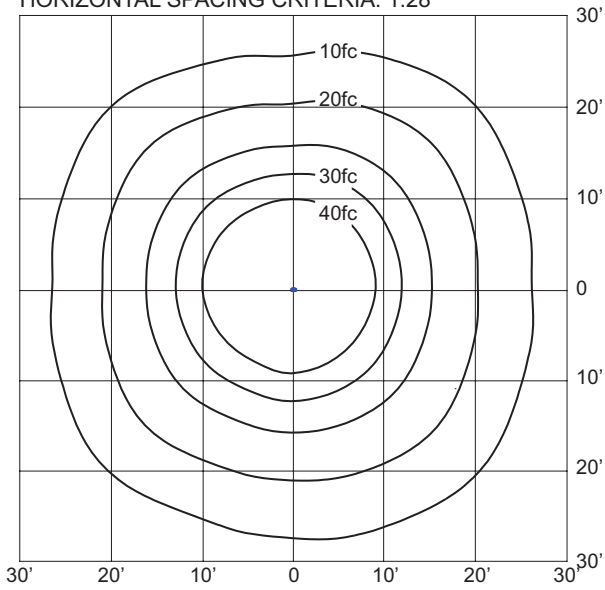
**NHBL-300-VS-CP-P-WH (300W, 3500K)**

IES: TYPE VS Very Short

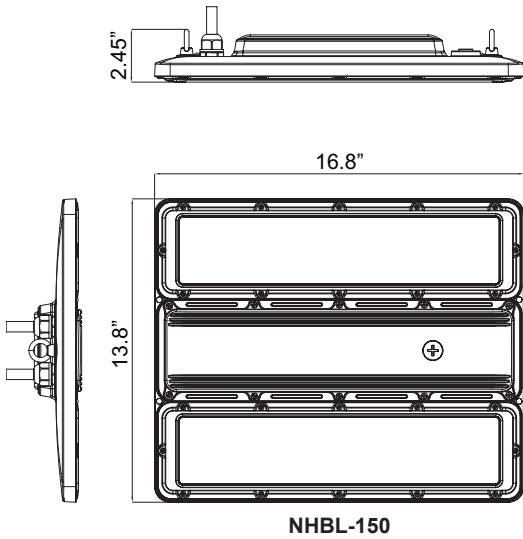
MOUNTING HEIGHT: 20'

TILT: ZERO

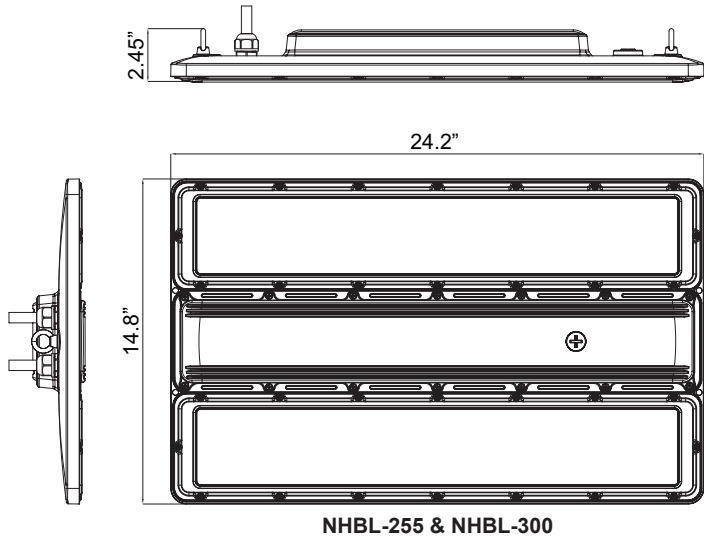
HORIZONTAL SPACING CRITERIA: 1.28



**DIMENSIONS**



**NHBL-150**

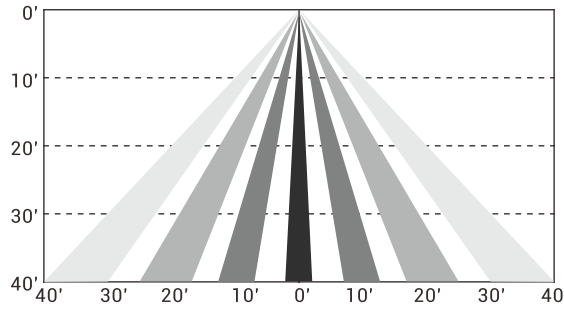


**NHBL-255 & NHBL-300**

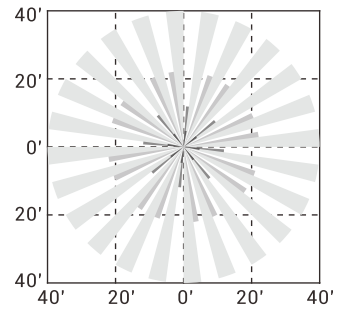
**LE-MS3-AUX SENSOR DETAILS (BLUETOOTH ENABLED)** [Click For Sensor Details](#)



Coverage Side View



Coverage Top View (40')



**SEE APP FOR SENSOR SETTINGS**

For a complete list of *litemlogic* compatible products, [click here](#).



Get it from the **App Store**



Get it from **Google Play**

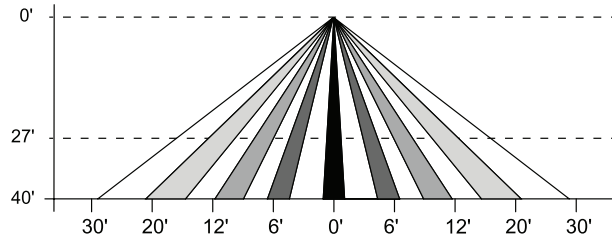


**Note:** Bluetooth sensor controls do not allow for CCT selection using the app. CCT must be manually selected on the fixture.

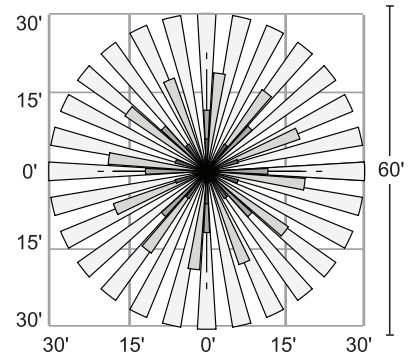
**TL-MSP12 SENSOR DETAILS**



Coverage Side View



Coverage Top View



**360° Coverage**

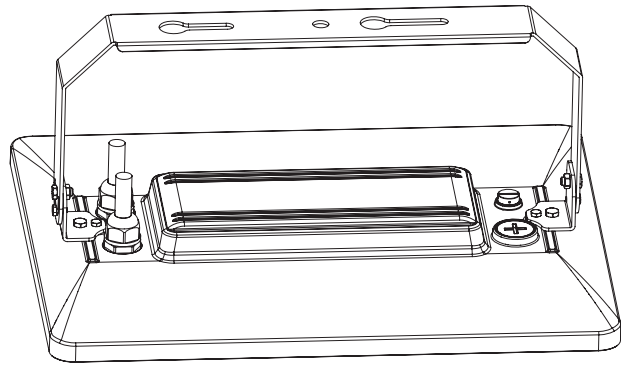
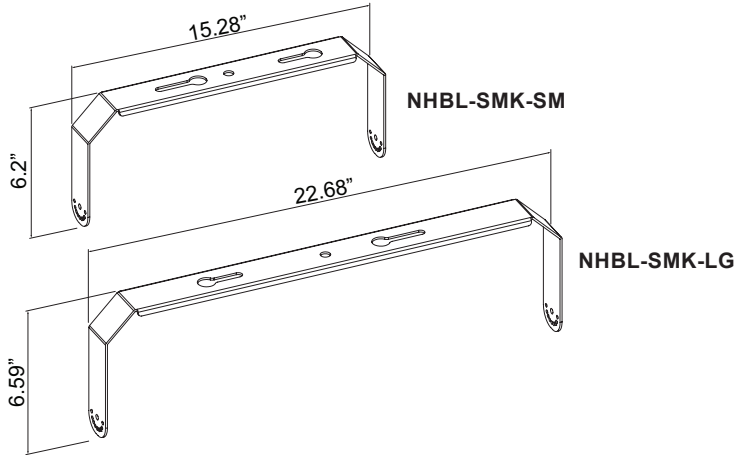
**TL-MSP12 SENSOR SETTINGS (REMOTE)**

|                               |  |
|-------------------------------|--|
| DETECTION RADIUS/ANGLE        | MAX 60'/360°   |
| MOUNTING HEIGHT               | MAX 40'  |
| REMOTE RANGE                  | MAX 33'  |
| FREQUENCY                     | 5.8 GHz  |
| HIGH MODE                     | 70%, 80%, 90%, 100% (DEFAULT 100%)   |
| SENSITIVITY                   | 20%, 50%, 75%, 100% (DEFAULT 100%)   |
| HOLD TIME                     | 10sec, 1min, 5min, 10min, 15min, 20min, 30min, 60min (DEFAULT 5min)                |
| DAYLIGHT HARVESTING           | (disabled), 10Lux, 30Lux, 50Lux, 100Lux, 150Lux, 200Lux, 300Lux (DEFAULT disabled) |
| STANDBY DIM SETTING           | 0, 10%, 20%, 30%, OFF (∞), (DEFAULT 30%)   |
| STANDBY TIME SETTING (TO OFF) | ON (disabled), 1min, 30min, 60min (DEFAULT 30min)                                  |



TL-MSSW-REMOTE = Remote for dimming sensor accessory (TL-MSP12) (Sold Separately)

**SURFACE MOUNT KIT ACCESSORY (NHBL-SMK-SM, NHBL-SMK-LG)**



**BATTERY BACKUP ACCESSORY (NHBL-BB)**

