

Extremely compact, rugged die-cast aluminum emergency fixture designed to optimize light output for outdoor locations. The smooth curves of the die-cast housing and contoured prismatic lens allow this unit to blend uniformly with any architectural design. The NF3 can be installed in high-abuse interior applications, such as gymnasiums and high-traffic hallways, as well as rugged outdoor applications such as multi-family complexes and campuses.

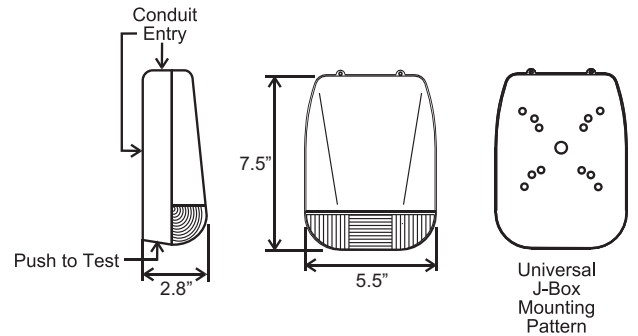
**FEATURES & BENEFITS**

- 30' - 35' On-center spacing
- Rugged, low-profile, streamlined die-cast aluminum design
- 7W or 10.5W Luxeon LED options
- Optional PathSafe security/night lighting (SEC) allows the fixture to be used as an emergency lighting and as security/night lighting fixture
- Optional Guardian (G2) Self-test/Self-diagnostics available
- Optional Cold Location (CL) Package -40°C (-40°F)
- Natatorium rated with resistant finish, consult factory for more information
- American Recovery and Reinvestment Act (ARRA) compliant

**SPECIFICATIONS**

**Illumination:** 7W or 10.5W Luxeon LED options  
**Housing:** Die-cast aluminum housing  
**Input:** 120/277VAC Dual primary, 60Hz  
**Battery:** Maintenance-free NiMH battery  
**Run Time:** ETL Listed 90 minute emergency run time, 24 hour recharge time  
**Electrical:** Low voltage disconnect eliminates deep discharge. Brownout, overload and short-circuit protection  
**Mounting:** Wall mounted with universal J-box mounting pattern and gasket, or conduit mounted from top of fixture  
**Finishes:** White  
**Options:** CL = Cold Location -40°C to 30°C (-40°F to 86°F)  
 G2 = Self-test/Self-diagnostics  
 PC/G2 = Photocontrol/Self-diagnostics  
 PM20 = 20" Pole Mount Assembly  
 PM36 = 36" Pole Mount Assembly  
 SEC 120 = Security Lighting/Night Lighting- 120VAC  
 SEC 277 = Security Lighting/Night Lighting - 277VAC  
 TD2 = Time Delay (20 min)  
**Certifications:** ETL Listed for Wet Locations, meets or exceeds NEC requirements and NFPA 101  
**Warranty:** Any component that fails due to a manufacturing defect is guaranteed for five years with a separate five year prorated warranty on the battery. The warranty does not cover physical damage, abuse or instances of uncontrollable natural forces. See the full Exitronix warranty document for detailed information and product registration instructions.

Model: \_\_\_\_\_ Date: \_\_\_\_\_  
 Accessories: \_\_\_\_\_  
 Job Name: \_\_\_\_\_ Type: \_\_\_\_\_



**ORDERING INFORMATION Example: NF3-WB-10L-WH-G2**

Series	Power Source	LED Wattage	Finish	Options (Factory Installed)
NF3	WB = With Battery	7L = (2) 3.5 Watt LEDs 10L = (3) 3.5 Watt LEDs	BR = Bronze WH = White	CL = Cold Location Package -40°C to 30°C (-40°F to 86°F) G2 = Self-test/Self-diagnostics PC/G2 = Photocontrol/Self-diagnostics PM20 = 20" Pole Mount Assembly PM36 = 36" Pole Mount Assembly SEC 120 <sup>1</sup> = Security Lighting/Night Lighting- 120VAC SEC 277 <sup>1</sup> = Security Lighting/Night Lighting - 277VAC TD = Time Delay (20 min)
<b>Notes</b>				
<sup>1</sup> Required with CL option when operating at -40°C (-40°F)				

**CONSTRUCTION**

The NF3 has a rugged, precision, low-profile design with die-cast aluminum housing including a one piece molded weatherproof gasket. Heat and impact-resistant polycarbonate prismatic lens resists discoloration.

**ILLUMINATION**

Fixtures are supplied with high-powered Luxeon LEDs offering 7 or 10.5 Watts of light output. Optical lenses on the LED module combined with the prismatic polycarbonate lens produce an optimized elongated pattern of light throughout the path of egress. The high-performance LEDs have an expected life over 50,000 hours with normal use.

Lamps are connected in parallel – if one lamp fails, the balance of the lamps will continue to operate.

**ELECTRICAL**

**Input**  
120/277VAC, 50/60Hz

**Nickel Cadmium Battery – NiCad (Standard)**  
Exitronix NiCad batteries are maintenance-free.

**Nickel Metal Hydride Battery – NiMH (Standard with CL option)**  
Exitronix NiMH batteries are maintenance-free.

**Emergency**

The NF3 will operate for a minimum of 90 minutes during a loss of power with a 24 hour minimum recharge time for the battery. The power supply delivers a regulated current and voltage to LED lamps to optimize lamp life. A momentary test switch and LED charge indicator are included.

**Brownout Circuit**

The brownout circuit monitors the line voltage. As the line voltage sags and can no longer provide adequate voltage, the emergency lighting circuit will turn on to supply power to the emergency lamps for 90 minutes until the line voltage is restored.

**Low Voltage Disconnect**

Low Voltage Disconnect (LVD) measures the battery terminal voltage and if it should fall below a preset voltage threshold the LVD will disconnect the load. When the battery is recharging and voltage is raised above another preset threshold the load is automatically reconnected.

**Solid-State Transfer**

The circuit features Solid-state switching for emergency lamps, eliminating concerns of damaged contact or mechanical failures associated with relays. The switching circuit detects a loss of line voltage and automatically switches to emergency mode.

**Overload and Short Circuit Protection**

The overload monitoring system in the DC circuit disconnects the lamp load from the battery should excessive wattage demands be made.

**INSTALLATION**

This NF3 emergency unit can be surface mounted utilizing a universal J-box mounting pattern and gasket, or by using the conduit entry point at the top of the fixture. Not suitable for ceiling mount applications.

**Wet Location Rated**

Wet Location Rated fixtures can be used in applications where moderate contact with water can be expected. Wet Location Rated products are designed to be reasonably watertight; they require a seal around the base, canopy, or bracket to protect the electrical service from moisture.

**ARRA Compliant**

Complies with the American Recovery and Reinvestment Act of 2009 (ARRA) requirements and Buy American provisions.

**OPTIONS**

**Guardian Self-Test/Self-Diagnostics (Option: G2)**

The Guardian circuit continuously monitors the operating condition of the AC power, battery supply voltage, emergency lamp continuity and charging circuit.

The purpose of this option is to provide visual signaling in response to a possible fault. If a failure is detected, visual status will occur immediately via the CHARGER LED and/or the BATTERY FAULT LED. The LEDs will stay illuminated until the fault is corrected.

The Guardian circuit also monitors the transfer circuit and performs automatic code compliant testing. The Guardian circuit will perform a 30 second discharge and self-test every 28-30 days. A 90 minute discharge and self-test is performed every six months.

**PathSafe Security Lighting/Night Light (Option: SEC)**

The PathSafe option allows the fixture to be used both as an emergency lighting fixture and security/night lighting fixture. Models with battery backup and the PathSafe option will operate each LED at 2 Watts (SEC option) offering 50% output when in security lighting mode when connected to the active building AC supply and wired according to the installation instructions. The security lighting circuit is independent of emergency lighting and may be switched manually by exterior photocell (supplied by others) or other automatic means.

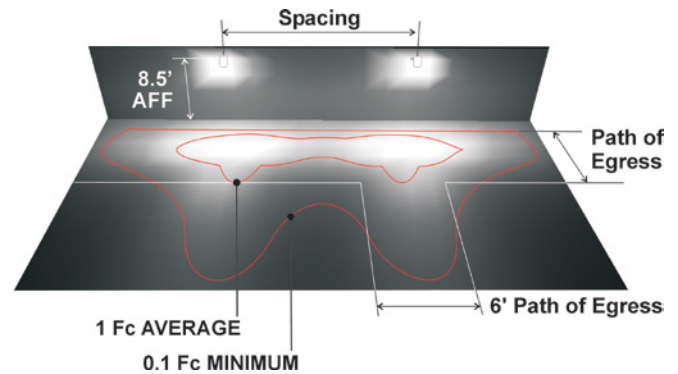
**Cold Location Rated (Option: CL)**

The NF3 offers a Cold Location rating and extends the temperature range to -40°C to 40°C (-40°F to 104°F). This is ideal for colder climates or freezer/cold room applications.

**CONFORMANCE TO CODES & STANDARDS**

The NF3 Series is ETL Listed for Wet Locations and meets or exceeds the following: UL 924, NEC requirements and NFPA 101. American Recovery and Reinvestment Act (ARRA) compliant.

**SPACING GUIDE**



LED	Mounting Height	Spacing		
		Path of Egress Width		
		3'	6'	10'
7L	8.5'	40'	30'	20'
10L*	8.5'	40'	35'	30'

\* Projection from building: 30 feet.

Spacing guidelines are designed to achieve a 1 foot-candle average and a 0.1 foot-candle minimum with a 40:1 or less max/min ratio. Guidelines are intended to be used as a design aid and are not a guarantee of code compliance. Manufacturer assumes no responsibility for local requirements or specific project variables.