

DESCRIPTION

The MWQ mini refractor wallpack features a sleek, durable, bronze die-cast aluminum enclosure combined with high-performance LEDs. The MWQ is an excellent cost-effective wallpack solution where energy savings, low maintenance and reliable construction are needed. The fixture is fully sealed and gasketed, UL Listed for Wet Locations and meets IP65 requirements. The 20 watt LED system delivers up to 2,800 lumens and is features field-adjustable color temperature, allowing the user to select between 3000K, 4000K or 5000K CCT with the flick of a switch. The unit also includes an integral button photocontrol for an additional level of light control. Applications include schools, office complexes, light commercial or retail buildings, apartments and recreational facilities.

CONSTRUCTION

- Precision die-cast aluminum enclosure in a bronze powder-coat finish
- High impact, UV-stabilized polycarbonate prismatic refractor

OPTICS/LEDS

- Prismatic polycarbonate refractor for soft diffuse illumination
- Type IV distribution
- LEDs point down to minimize glare
- 2800 Lumens
- Efficacy up to 140 lm/w
- CCT switchable (3000K, 4000K, 5000K)
- CRI ≥80

ELECTRICAL

- Universal 120-277VAC, 50/60Hz
- Power Factor > 0.90
- 0-10V Dimming driver
- L70 rated for 100,000 hours
- 120/277VAC Integral button photocontrol standard (can be bypassed)

INSTALLATION

- Ideal for mounting to any vertical surface and attaches to a 3" or 4" J-box
- Can be surface mounted using the 1/2" conduit entry points on both sides of the unit

TESTING & COMPLIANCE

- cULus listed for Wet Locations
- Tested to meet IP65 requirements
- DesignLights Consortium® (DLC) PREMIUM Qualified
- Operating temperatures: -20°C to 40°C (-4°F to 104°F)

WARRANTY

- Five year warranty (terms and conditions apply)

Model: _____ Date: _____
 Accessories: _____
 Job Name: _____ Type: _____



Specs At A Glance*

| | |
|----------------|--|
| Wattage (W) | 20 |
| Lumens (lm) | 2800 |
| Efficacy (LPW) | 140 |
| CCT | 3000K, 4000K, 5000K (Switchable) |
| CRI | >80 |
| Input Voltage | 120-277VAC, 50/60Hz |
| Operating Temp | -20°C to 40°C (-4°F to 104°F) |
| Certifications | UL Listed for Wet Locations, IP65, DLC PREMIUM |
| Warranty | 5 Years |

* Nominal Wattage, tested at 5000K CCT. Values at 120/277VAC.

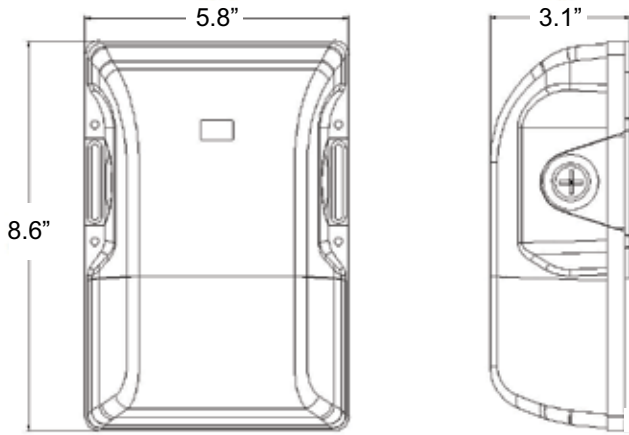
Note: Environment and application will affect actual performance. Typical values and 25°C (77°F) used for testing. Specifications subject to change without notice.

ORDERING INFORMATION

Example: MWQ-20-C-BR

| Series | Wattage |
|-------------|---|
| MWQ-20-C-BR | Mini Die-Cast Aluminum LED Wallpack 20W, CCT Selectable 3000K-4000K-5000K, 120-277 VAC, Bronze Finish, Integral 120/277VAC Photocontrol |

DIMENSIONS



SAMPLE PHOTOMETRICS

MWQ-20-C (4000K CCT)

IES: TYPE IV Very Short

MOUNTING HEIGHT: 10'

TILT: ZERO

