

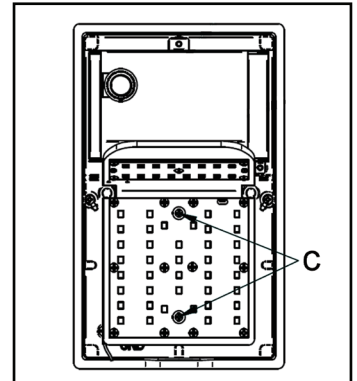
IMPORTANT SAFEGUARDS READ AND FOLLOW ALL SAFETY INSTRUCTIONS.

When using electrical equipment, basic safety precautions should always be followed including the following:

- **DISCONNECT AC POWER SUPPLY BEFORE SERVICING.**
- Installation and servicing of this equipment should be performed by qualified service personnel only.
- Ensure the electrical wiring conform to the National Electrical Code and local regulations if applicable.
- Do not mount near gas or electrical heaters.
- Equipment should be mounted in locations and at heights where it will not readily be subjected to tampering by unauthorized personnel.
- The use of accessory equipment not recommended by the manufacturer may cause an unsafe condition. Any modification or use of non-original components will void the warranty and product liability.
- Do not use this equipment for other than intended use.

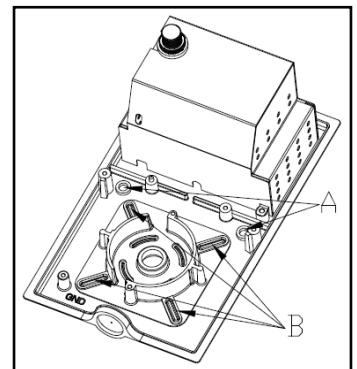
SAVE THESE INSTRUCTIONS!

1. Remove doorframe/diffuser retaining screws.
2. Remove LED module by loosening (2) screws. (C)
Note: Do not touch the LEDs. **DO NOT DROP!**
3. Prepare backplate for mounting by drilling/knocking out the appropriate holes. (A or B)
4. Center backplate over junction box and secure with appropriate hardware.
5. Apply silicone bead around backplate.
6. Electrical connections should be made inside junction box. Cap all unused leads to prevent shorting.



This fixture auto adjusts for voltage between 120VAC – 277VAC.

- a. Connect the line fixture lead to the black supply lead.
 - b. Connect the common fixture lead to the white supply lead.
 - c. Connect the ground lead from the service to the green grounding screws.
7. Reassemble LED module on the backplate using (2) screws. (C)
Note: Do not touch the LEDs. **DO NOT DROP!**



TROUBLESHOOTING - CHECKLIST

If LEDs do not turn on:

1. Check Your Power Source.
2. Check Electrical Connections.