

The MLED Series is a multi-voltage, high-performance, high-impact thermoplastic adjustable LED lamp head designed to increase center-to-center spacing. Suitable for indoor and outdoor applications.

Model: _____ Date: _____
 Accessories: _____
 Job Name: _____ Type: _____

FEATURES AND BENEFITS

- See chart on page two for compatible fixtures
- Each lamp head contains long-lasting, efficient, ultra-bright white LEDs in a high-performance reflector with glass lens (outdoor) or plastic lens (indoor)
- Available with standard 1.5W or optional 1W (Option: LO) LED lamps
- All models include mounting plate
- Operating Voltages: 3.6V, 6V, 9.6V & 12V
- Temperature rating: Standard 0°C to 50°C (32°F to 122°F)
 WP Option -30°C to 50°C (-22°F to 122°F)
- Optional Wet Location rating (WP) available for outdoor applications
- Rugged, injection-molded 5VA flame retardant, high-temperature thermoplastic housing
- Adjustable LED lamp heads optimize spacing
- Low cost - easy installation
- Single and double head configurations available
- Suitable for ceiling or wall mount
- Standard finishes: black or white for indoor, black, gray or white for outdoor
- UL 924 Listed



WARRANTY

Any component that fails due to manufacturing defect is guaranteed for three years. The warranty does not cover physical damage, abuse or instances of uncontrollable natural forces. See the full Exitronix warranty document for detailed information. (Terms and Conditions Apply)

ON-CENTER SPACING

(Using multiple units mounted at a typical 7.5 foot height, 80/50/20 reflectance)

Model	# of LED Lamps	3' Path, 6' Corridor	6' Path, 6' Corridor
MLED2 (WP)	2	19'	16'
MLED2-LO (WP)	2	13'	11'

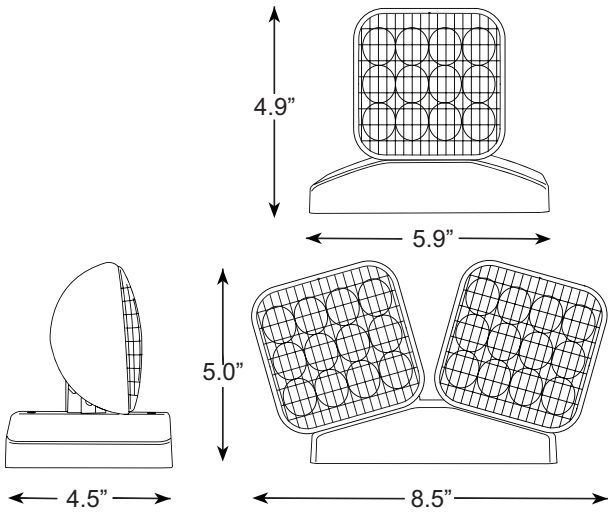
See the [Remote Lamp Compatibility Chart](#) for a complete list of compatible fixtures.

ORDERING INFORMATION Example: MLED2-W-LO

Series	Finish	Options (Factory Installed)
MLED1 = Single Remote Lamp	B = Black	G2 ¹ = Self-test/Self-diagnostics Compatible
MLED2 = Double Remote Lamp	G = Gray	WP = Weatherproof Applications
	W = White	LO = Low Output (1W per lamp)

Notes
¹ Unit powering remote lamp head must also have G2 option

Indoor



Outdoor (WP Option)

