



## IMPORTANT SAFEGUARDS READ AND FOLLOW ALL SAFETY INSTRUCTIONS.

When using electrical equipment, basic safety precautions should always be followed including the following:

- **DISCONNECT AC POWER SUPPLY BEFORE SERVICING.**
- Installation and servicing of this equipment should be performed by qualified service personnel only.
- Ensure that the electrical wiring conforms to the National Electrical Code NEC® and local regulations, if applicable.
- Do not let power cords touch hot surfaces.
- Do not mount near gas or electrical heaters.
- Do not use outdoors.
- Equipment should be mounted in locations and at heights where it will not be readily subjected to tampering by unauthorized personnel.
- The use of accessory equipment not recommended by the manufacturer may cause an unsafe condition.
- Any modification or use of non-original components will void the warranty and product liability.
- Do not use this equipment for other than intended use.
- Allow battery to charge for 24 hours before first use.
- For use with metal enclosed wiring systems.
- Use caution when servicing batteries. Battery acid can cause burns to skin and eyes. If acid is spilled on skin or eyes, flush with fresh water and contact a physician immediately.

## SAVE THESE INSTRUCTIONS!

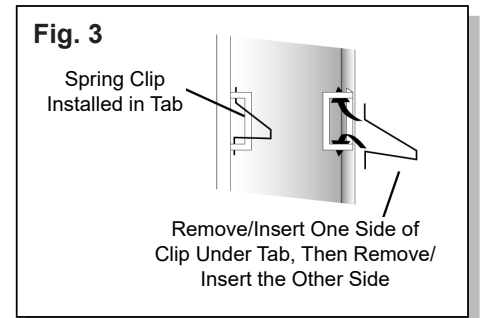
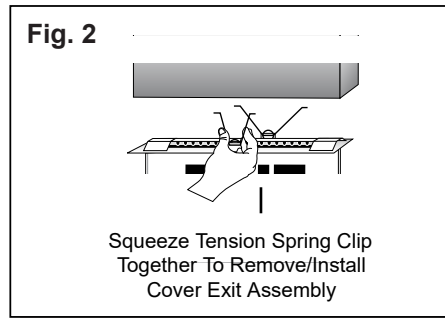
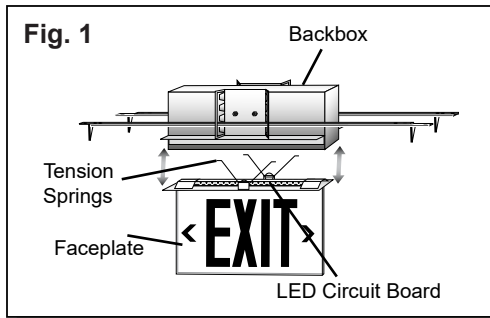
Technical Support ■ (623) 580-8943 ■ [technicalsupport@barrontg.com](mailto:technicalsupport@barrontg.com)

# MA900E Series

## Installation Instructions

### Installation

1. Extend 24 hour AC supply of rated voltage (see product label) to an electrical box. Leave at least eight (8) inches of slack wire. The circuit should not be energized at this time - do not energize the AC supply until indicated.
2. Remove the cover/exit assembly by grasping the backbox and pulling the cover away to expose the two (2) tension springs (Fig. 1). Unhook the springs from the tabs inside the backbox to remove the cover/exit assembly (Fig. 2 & 3).

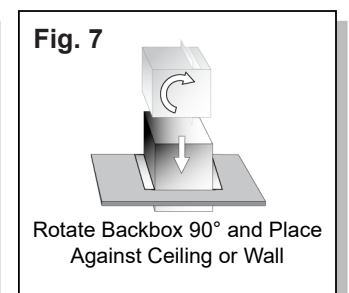
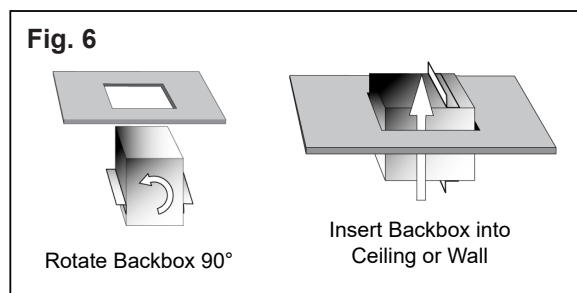
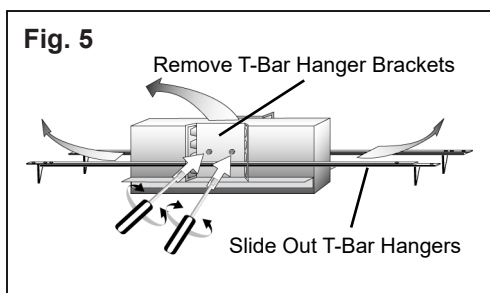
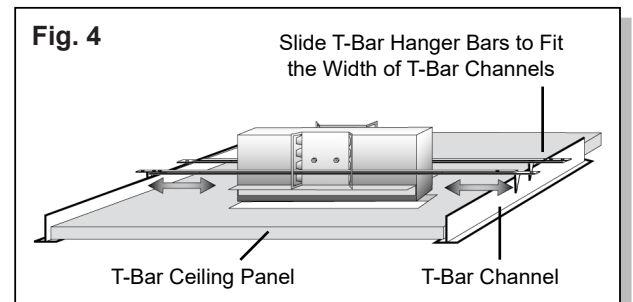


3. The sign may be either recessed wall or surface ceiling mounted. Remove the appropriate wire pass-thru hole from the back, top, or end of the backbox enclosure.

**Note:** Wall mounted fixtures have a faceplate with a 90° bend.

4. Use backbox the mark mounting position on wall or ceiling and cut hole for backbox.
5. Either attach the electrical box directly to the backbox or extend the AC supply to the backbox enclosure.
  - a. Direct Attachment: If attaching the electrical box directly, knockout the appropriate holes in the backbox, pass through all wiring and then attached electrical box with appropriate screws (supplied by others).
  - b. Extend Wiring: If connecting the AC supply to a nearby electrical box, extend the wiring to the backbox and feed the supply circuit wiring through the wire pass hole. Use an approved connector to fasten the AC supply to the enclosure backbox.

6. Place the backbox into the final mounting position.
  - a. T-Bar Ceilings: Slide the hanger bars to match the width of the T-Bar channels (Fig. 4).
  - b. Plaster/Drywall Ceilings & Walls: Remove all the T-Bar mounting hardware (Fig. 5). Rotate the backbox 90° and guide into the ceiling or wall (Fig. 6). Rotate the backbox back 90° and place plaster flanges against ceiling or wall (Fig. 7).

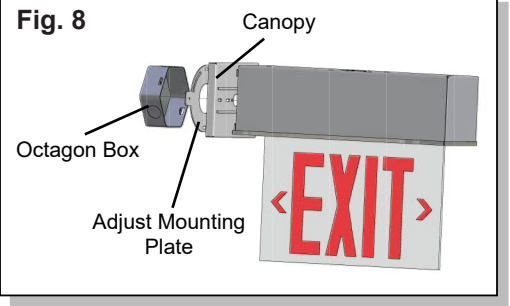


# MA900E Series

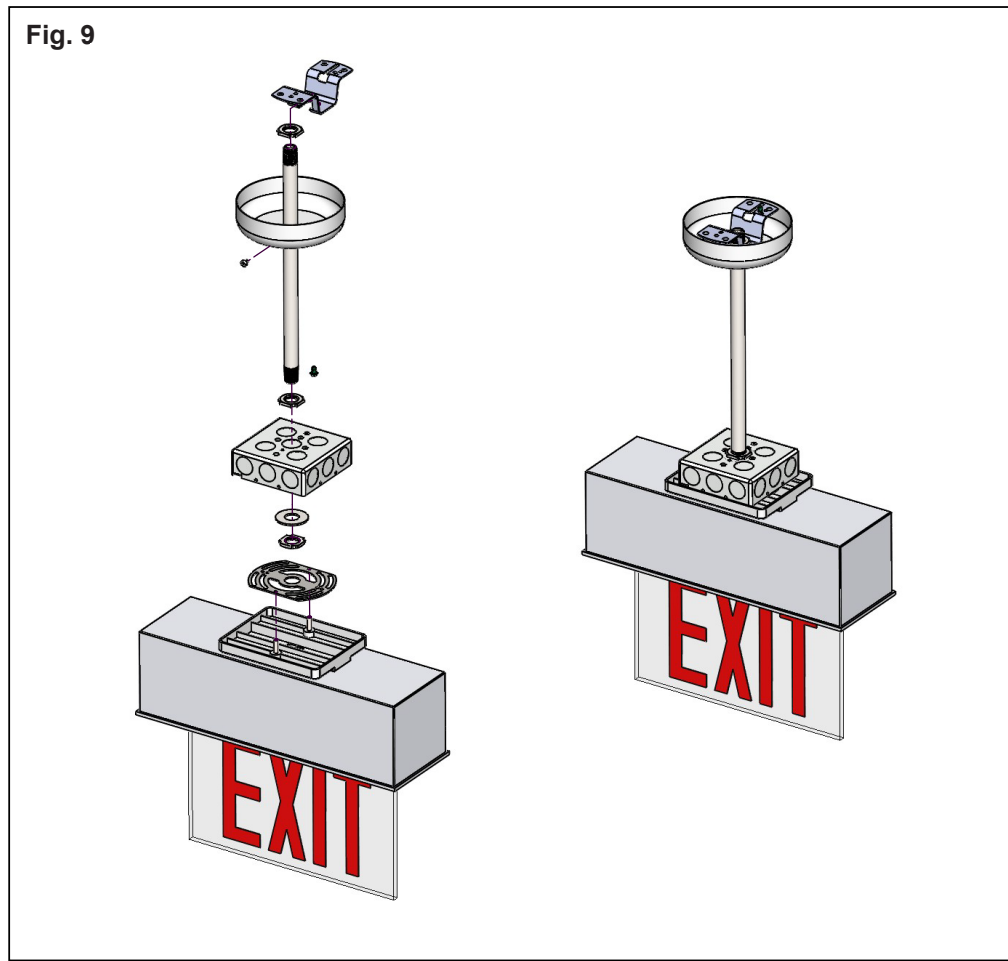
## Installation Instructions

### Installation (Continued)

- c. End mounting: Secure canopy to the enclosure. Attach adjustable mounting plate to junction box. Route wires through the center hole of the mounting plate and secure the canopy to the mounting plate. (Fig. 8)
8. Hold the cover/exit assembly up to the installed backbox and hook one of the tension springs into one of the internal tabs. (Fig. 2 & 3)
9. Make electrical connections; see **Electrical Connections** section. Insulate unused wires!  
**CAUTION!** - Failure to insulate unused wires may result in a shock hazard or an unsafe condition, as well as equipment failure.
10. For models with battery, plug the battery into the circuit board per the diagram in the **Electrical Connections** section.
11. Hook the other tension spring into the remaining tab and push the assembly back up into the housing until secure.
12. Energize power to fixture. The LED board inside will light and the EXIT faceplate will now be illuminated.



### Pendant Installation



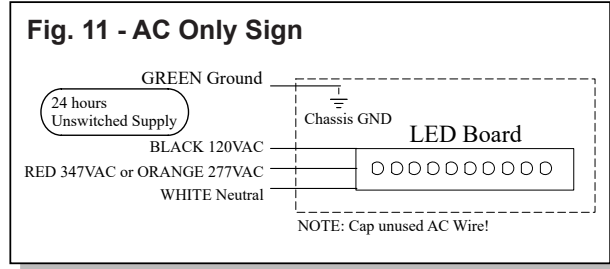
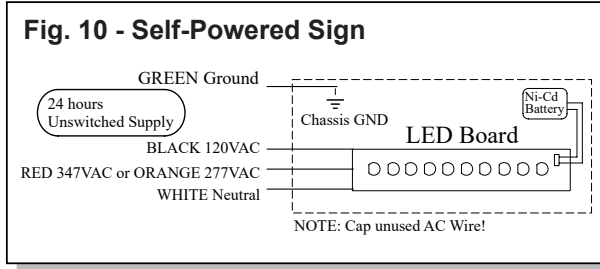
# MA900E Series

## Installation Instructions

### Electrical Connections

All electrical connections should be made inside the junction box. Make electrical connections as shown in the diagram corresponding to your EXIT sign (Fig. 10-11):

**Note:** Cap unused leads to prevent shorting.



### Testing & Maintenance

1. Code requires that the equipment be tested every 30 days for 30 seconds, and that written records be maintained. Further, the equipment is to be tested once a year for the required time duration. The equipment is to be repaired whenever the equipment fails to operate as intended during the duration test. Written records of test results and any repairs made must be maintained. Barron Lighting Group strongly recommends compliance with these code requirements.

2. Clean faceplates/lenses on a regular basis.

**Note:** Always turn off AC power before servicing. The servicing of any parts should be performed by qualified service personnel. The use of replacement parts not furnished by Barron Lighting Group may cause equipment failure and will void the warranty.