

SAVE THESE INSTRUCTIONS!

READ CAREFULLY AND FOLLOW ALL INSTRUCTIONS FOR YOUR OWN SAFETY

- **DISCONNECT AC POWER SUPPLY BEFORE SERVICING.**
- Installation and servicing of this equipment should be performed by qualified service personnel only.
- Ensure the electricity connections conform to the National Electrical Code and local regulations if applicable.
- Do not mount near gas or electrical heaters.
- Equipment should be mounted in locations and at heights where it will not readily be subjected to tampering by unauthorized personnel.
- The use of accessory equipment not recommended by the manufacturer may cause an unsafe condition. Any modification or use of non-original components will void the warranty and product liability.
- Do not use this equipment for other than intended use.

The specialtyLED RGB Linear Wall Wash is a exterior rated product designed to be installed end to end for dramatic wash of illumination.

INSTALLATION INSTRUCTIONS

SAFETY PRECAUTIONS:

- It is recommended that you do not cover the product unless done so with extreme caution and attention to ventilation.
- Do not cut, shorten or splice power or data cord.
- Do not route through walls, doors, windows or building structures.
- During installation, do not scratch tempered glass lense as this will affect the optics of the unit.
- Do not open or tamper with sealed unit.
- Do not submerge in liquid or apply near standing water.
- Do not secure power cables with staples, nails or like means that can damage the insulation on the cables.
- Do not mount inside cabinets, tanks or enclosures unless properly ventilated.
- Do not operate in temperatures exceeding 149°F (65°C).
- Ground Fault Interrupter (GFCI) protection should be provided on all circuits where used for outside applications.
- Do not operate on circuits that do not have proper surge suppression protection. High voltage spikes will damage the LEDs.
- Do not operate over the specified voltage or current.
- Do not leave any part unsecured. Movement over time from weather can cause damage from continuous movement.

General Material/Tool Requirements:

Material needed for installation:

- LWW RGB Fixture
- GFI / Surge protected circuit
- DMX Controller
- Drill

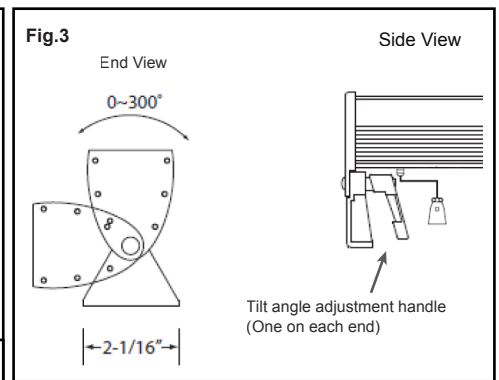
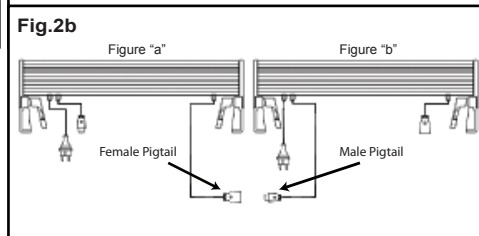
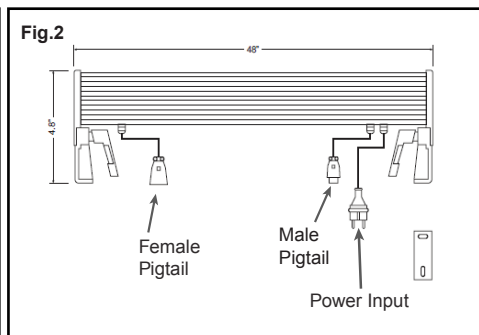
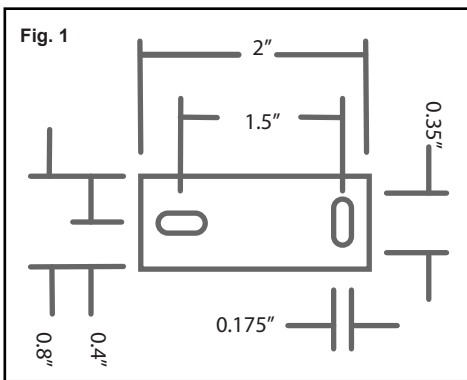
Optional:

- Measuring tape
- SRC-143 Amplifier
- Power/Data Extension Cables

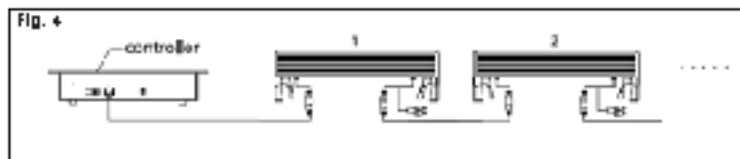
1. Install LWW RGB to desired surface using appropriate hardware for application. Reference (Fig. 1) for mounting dimensions.
2. If more then (1) LWW RGB installed, observe orientation of data pigtail. Each fixture contains a male and female data pigtail. Orientate the fixture to allow fixture "a" to connect to fixture "b" by ensuring opposite date connectors. (Fig. 2a)
Example: Fixture "a" will connect with female pigtail. Orientate fixture "b" so the male pigtail is closest to fixture "a" female pigtail. (Fig. 2b)

Note: Data extension cable LWW-DATA-10' can be used to link fixtures up to 10' apart.

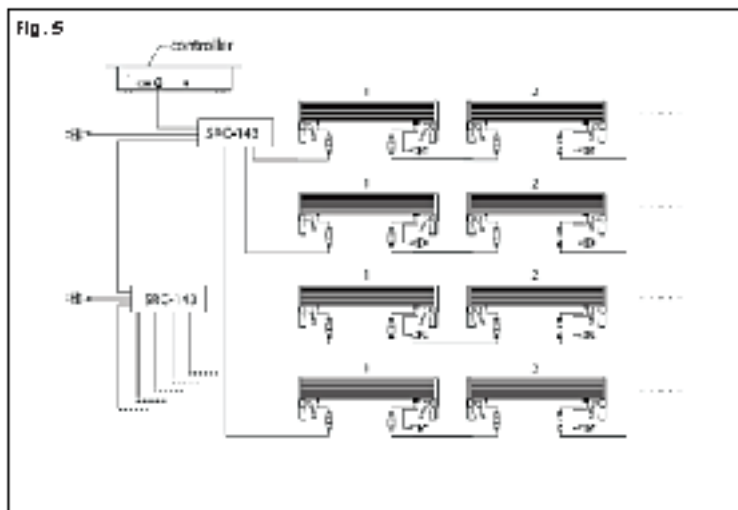
3. Un-tighten the tilt adjustment handle and position to desired angle. Re-tighten once positioning complete. (Fig. 3)



4. Connect LWW RGB to DMX Controller. (Fig. 4)



5. When connection 30 units or more connect SRC-143 to DMX Controller. (Fig. 5)



6. Plug power cord into GFCI receptacle.

Note: Power extension cable LWW-POWER-10' can be used to extend power up to 10'

TROUBLE SHOOTING

Product will not light

- Verify units are plugged in correctly
- Check the GFCI and verify if tripped.

ACCESSORIES

Part Number	Image	Description
LWW-DATA-10'		10' DATA Extension Cable
LWW-POWER-10'		10' Power Extension Cable
LWW-DATA-PIN CONNECTOR		Adapter cable 3pin DMX to 3pin DMX XLR
LWW-SRC-143		SRC-143 Signal amplifier/ DMX Splitter
LWW-SRC174		DMX controller, 192 channels INDOOR use only
LWW-CTR-STICK		DMX controller, 1024 channels. INDOOR use only