

IMPORTANT SAFEGUARDS READ AND FOLLOW ALL SAFETY INSTRUCTIONS.

When using electrical equipment, basic safety precautions should always be followed including the following:

- **DISCONNECT AC POWER SUPPLY BEFORE SERVICING.**
- Installation and servicing of this equipment should be performed by qualified service personnel only.
- Ensure that the electrical wiring conforms to the National Electrical Code NEC® and local regulations if applicable.
- Do not mount near gas or electrical heaters.
- Equipment should be mounted in locations and at heights where it will not be readily subjected to tampering by unauthorized personnel.
- The use of accessory equipment not recommended by the manufacturer may cause an unsafe condition.

SAVE THESE INSTRUCTIONS!

Technical Support ■ (623) 580-8943 ■ technicalsupport@barrontlg.com

1. Assemble (4) sides of Flange Mounting Kit, insert (8) small screws into holes and tighten (Fig. 1).

2. Check squareness of Flange Mount and trial insert light fixture into assembled flange mount to check fit. Remove light fixture from Flange Mount after test fitting.

3. Locate the area where light fixture will be installed. Make sure there is adequate room to make the rough opening corresponding to the Flange Mount Kit (Table 1).

4. Cut rough opening if necessary.

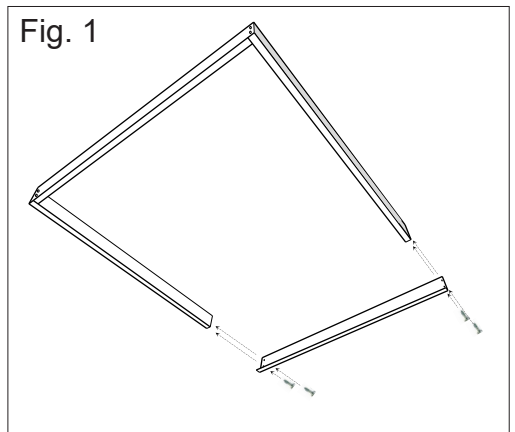
5. Position Flange Mount in rough opening and secure with hardware suitable for purpose.

6. Position light fixture to make electrical connections. Make electrical connections per light fixture instructions and any applicable codes.

7. Install light fixture in Flange Mount. Secure per fixture instructions and any applicable codes.

8. Check security.

9. Flange Mount Kit Installation complete.



LP22-FMK, LP24-FMK, LP14-FMK

Flange Mount Kit Installation Instructions

Table 1 Flange Mounting Kit Dimensions

Model	Light Fixture Size Feet	Flange Mount Kit Assembled Dimensions	Rough Opening Minimum Inches	Rough Opening Maximum Inches
LP22-FMK	2 X 2		Length 24-1/2" X Width 24-1/2"	Length 24-5/8" X Width 24-5/8"
LP24-FMK	2 x 4 Or (QTY 2) 2 X 2		Length 48-1/2" X Width 24 -1/2"	Length 48-5/8" X Width 24-1/2"
LP14-FMK	1 x 4		Length 48-1/2" X Width 12-1/2"	Length 48-5/8" X Width 12-5/8"