



TLED-LVT

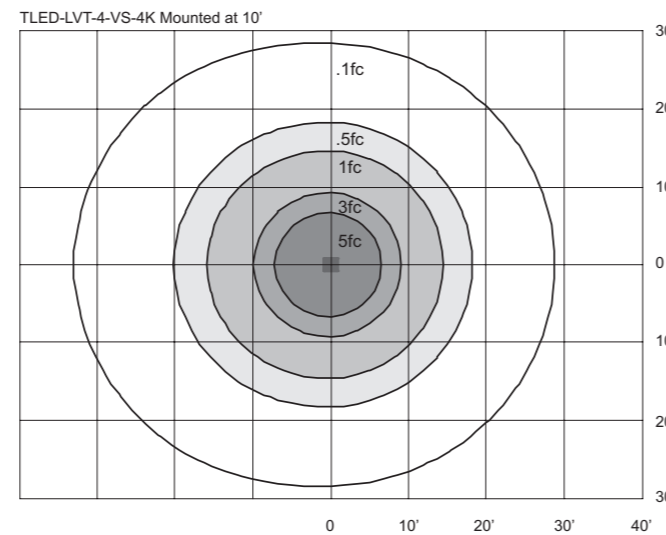
Linear LED Vaportight Lighting



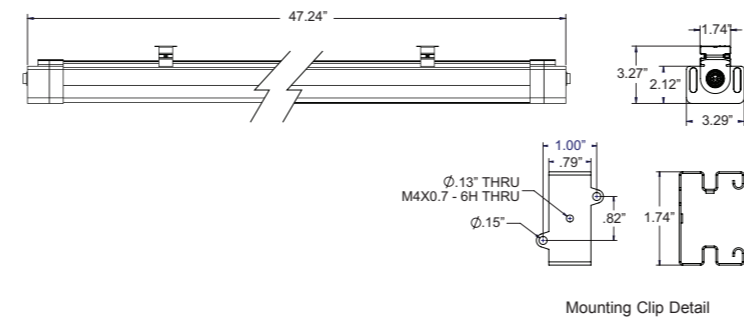
FEATURES

- Available in a 4ft configuration with a 40 watt LED light engine providing up to 3600 initial delivered lumens or in a 2ft configuration with 20 watt LED light engine providing up to 1960 initial delivered lumens
- Available with 3000K, 4000K or 5000K color temperature and a CRI of ≥80
- 50,000 hour rated lamp life with 70% lumen maintenance
- High power LED light engine with a constant current control
- LED light engine emits extremely low UV and minimal heat
- Durable, extruded aluminum enclosure with stainless steel hardware; LEDs are protected by an impact resistant polycarbonate lens
- Can be quickly mounted to any vertical or horizontal surface using the metal clips provided. Clips easily snap onto the back of the luminaire and can accommodate either surface mounted or suspended using steel cables
- Optional configurations for the TLED-LVT include a linkable version (-L) that allows linking of up to 6 units at 120V, a motion sensing version(-M) that has an integrated microvave sensor and a 0-10V dimmable version (-D).
- The linkable configuration can be ordered with a closure plate to provide a seamless look for continuous runs (TLED-LVT-CP)
- cULus Listed (standard unit), CE approved, RoHS Compliant and IP66 rated
- DesignLights Consortium™ Qualified Product
- 5 year warranty on all components

SAMPLE PHOTOMETRICS



DIMENSIONS



ORDERING INFORMATION

Example: TLED-LVT-4-VS-5K

Series	Nominal Length	Input Voltage	Color Temperature	Option
TLED-LVT	2 = 2' (20 Watt)	VS = 120-277VAC Voltage Sensing	3K = 3000K CCT	L ¹ = Linkable
	4 = 4' (40 Watt)		4K = 4000K CCT	M ¹ = Motion Sensing
			5K = 5000K CCT	D ¹ = Dimmable 0-10VAC
				LCW(XX) = White Line Cord (XX = Length in Feet)
				EX07 ² = 7 Year Extended Warranty
				EX10 ² = 10 Year Extended Warranty

Notes

¹ Options not currently UL Listed

² Consult factory

³ For use with linkable units

⁴ Order as separate line item

Accessories⁴ (Field Installed)

TLED-LVT-CP³ = Closure Plate for Continuous Run

TLED-LVT-FC = Full Cutoff Shield

Specifications are subject to change without notice.

MKT-LIT-LVT-BR25
10840145 12/15



TLED-LVT

linear led vaportight

Linkable

IP66 Rated

95 Lumens Per Watt

Vandal Resistant



As Smart As It Is Rugged

- 2 and 4 foot lengths to fit any application
- Efficacies as high as 96 lumens per watt
- Designlights Consortium™ Qualified Product List
- Available Title 24 compliant motion sensing
- 0-10V dimming

Reliable LED Lighting, Anywhere

- Easily mounted to any horizontal or vertical surface
- Metal mounting clips included
- Can be suspended using steel cable or pendants
- Rugged yet light construction even allows it to be slipped under automobiles and equipment for troubleshooting



Commercial Storage



Vandal-prone Areas

NO FEAR OF FAILURE

LED Linear Vaportight Lighting

Featuring a precision designed extruded aluminum housing with stainless steel hardware, impact resistant polycarbonate lens, large silicone gaskets and a durable anodized finish, the TLED-LVT is built to take abuse.

This robust luminaire has an IP66 rating, making it totally protected against dust and jets of water from any direction. The impact resistant design makes it the perfect fixture for the toughest locations, whether it's a vandal prone public stairway or a greasy industrial shop.

Engineered to Work Together

- Linkable up to 12 fixtures, each unit is universal and can be used in the beginning, middle or end of the run
- Unit is provided with two IP68 connectors and one IP68 cap
- One connector is provided with a 6 foot cable lead that can be cut to required length
- Optional closer plate accessory (TLED-LVT-CP) covers the gap between linked fixtures creating a seamless look

Put the Light Where You Need It

- Optional slip-on full cutoff shield (TLED-LVT-FC) blocks light above the 90° plane
- Save the night sky by reducing unnecessary up lighting



Wet Locations



Full Cutoff Shield (TLED-LVT-FC)



Linkable Option (L)



Closure Plate (TLED-LVT-CP)