

**DESCRIPTION**

The Exitronix LEMDC-G3 Series emergency LED driver is specifically designed to enable emergency lighting of LED fixtures with the loss of power. The unit's available configurations makes the series suitable for most pre-installation and on-site applications requiring emergency illumination.

The **GUARDIAN G3** remote monitoring and reporting system from Exitronix simplifies code compliance and significantly reduces operating and maintenance costs by offering automated testing, remote monitoring and reporting of emergency fixture status from a centralized location. For standard fixtures without remote monitoring and reporting, [click here](#).

**SPECIFICATIONS**

**Construction:**

- Polycarbonate enclosure
- Low profile compact design – only 1.8" thick allows for installation in many applications
- Remote Charge/Power "ON" LED illuminated push to test switch button for mandated code compliance test provides manual verification of the transfer circuit and LED fixtures

**Optics/ LEDs:**

- Works with or without an AC driver to convert new or existing LED fixtures into emergency lighting
- Provides constant current output to the load during emergency mode operation.
- Designed to operate NORMALLY-ON, NORMALLY-OFF or SWITCHED LOAD fixtures
- 7W to 21W systems with 12-48VDC output voltage
- 145mA - 875mA Programmable output current

**Electrical:**

- Universal 120-277VAC, 50/60Hz input
- Long-life, maintenance-free NiMH battery
- Provides a minimum of 90 minutes of emergency operating time within operating temperatures. 24-hour maximum battery recharge time as per UL 924
- Output short/overcurrent protection: Electronic limiting, with normal operation resuming upon removal of fault
- Input overcurrent protection: Fusible link

**Installation:**

- Suitable for internal installation in an LED fixture

**Testing & Compliance:**

- cULus Listed for Damp Locations
- Meets UL 924 requirements
- Suitable for field installation
- Class 2 compliant output classification
- Operating temperatures: 0°C to 50°C (32°F to 122°F)

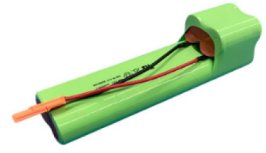
**Warranty:**

Any component that fails due to a manufacturing defect is guaranteed for five years with a separate five year prorated warranty on the battery. The warranty does not cover physical damage, abuse or instances of uncontrollable natural forces. See the full Exitronix warranty document for detailed information. (Terms and Conditions apply)

Model: \_\_\_\_\_ Date: \_\_\_\_\_  
 Accessories: \_\_\_\_\_  
 Job Name: \_\_\_\_\_ Type: \_\_\_\_\_



7/10W Battery Pack



21W Battery Pack



**GUARDIAN G3 Self-test/Self-diagnostics, Remote Monitoring and Reporting**

The circuit continuously monitors the operating condition of the AC power, battery supply voltage and charging circuit.

The purpose of this option is to provide visual signaling in response to a fault at the battery and/or battery charger. If a failure is detected, visual status will occur immediately via the dual color LED. Refer to instruction manual for detailed information.

The circuit also monitors the transfer circuit as well as performing automatic code compliance testing.

The GUARDIAN G3 remote monitoring and reporting system provides wireless communication between emergency fixtures, enabling maintenance personnel to maintain and test emergency lighting equipment from a central location. System requires additional equipment and setup, consult factory for more information.

**GUARDIAN G3PRO Self-test/Self-diagnostics, Remote Monitoring and Reporting with Automated Email Notifications**

The G3PRO model has the features of the standard G3 but adds automated email notifications of fixture status reports (requires internet connection, supplied by facility).

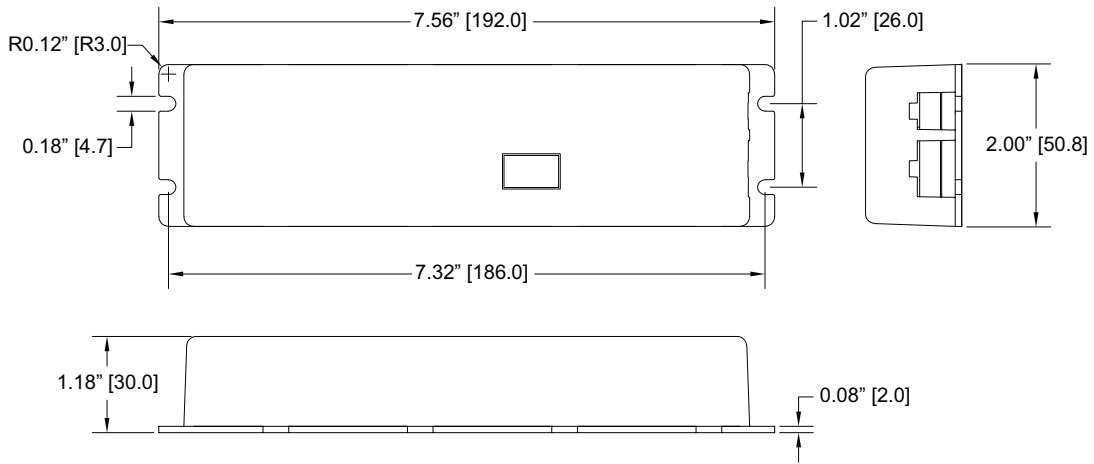
**Ordering Information** Example: LEMDC-10-LP-CC-G3

Series	Wattage	Enclosure	Power	Self-test/Self-diagnostics
LEMDC	7 = 7 Watt	LP = Low Profile Plastic	CC = Constant Current	G3 <sup>1</sup> = Self-test/Self-diagnostics, Remote Monitoring and Reporting
	10 = 10 Watt			G3PRO <sup>1,2</sup> = Self-test/Self-diagnostics, Remote Monitoring and Reporting w/Automated Email Notifications
	21 = 21 Watt			
				<b>Accessories<sup>3</sup></b> (Field installed, order as separate line item)
				GTWY-PRIMARY - Primary Remote Reporting Gateway
				GTWY-SECONDARY - Secondary Remote Gateway, Extends Range
				ROUTER - Wireless Internet Router
				TAB10 - 10" Tablet, Includes Guardian G3 Software
				TAB12 - 12" Tablet, Includes Guardian G3 Software
<b>Notes</b>				WALLBRKXX - Tablet Wall Bracket (XX = Specify 10" or 12" Tablet)
<sup>1</sup> Requires additional equipment, consult factory for details				WALLBRK-LOCKXX - Locking Wall Bracket (XX = Specify 10" or 12" Tablet)
<sup>2</sup> Requires internet connection, supplied by facility				STANDBRKXX - Tablet Stand (XX = Specify 10" or 12" Tablet)
<sup>3</sup> Order as separate line item				STANDBRK-LOCKXX - Locking Tablet Stand (XX = Specify 10" or 12" Tablet)

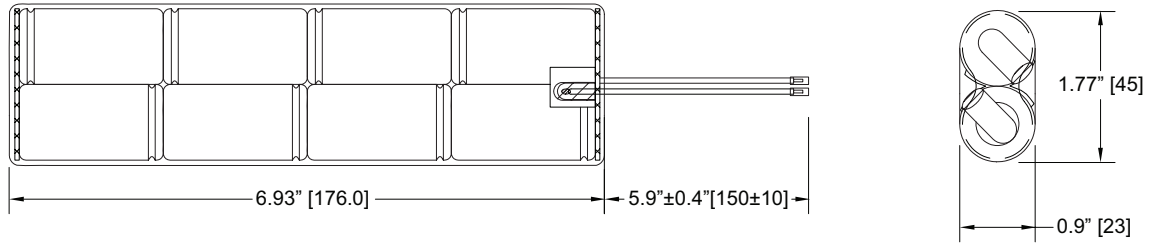
**Electrical Information**

Model	Emergency Power	Input				Output				SW1	SW2	SW3	SW4 (Default)
		VAC	Hz	mA	W	Min VDC	Max VDC	mA	Max Output				
LEMDC-7-LP-CC-XX	7.0W	120-277	50/60	55	3.9	12.0	16.0	440	7.0W	On	Off	Off	Off
						16.0	24.0	290		Off	On	Off	Off
						24.0	36.0	195		Off	Off	On	Off
						36.0	48.0	145		Off	Off	Off	On
LEMDC-10-LP-CC-XX	10.5W	120-277	50/60	85	6.0	12.0	16.0	623	10.5W	On	Off	Off	Off
						16.0	24.0	425		Off	On	Off	Off
						24.0	36.0	280		Off	Off	On	Off
						36.0	48.0	210		Off	Off	Off	On
LEMDC-21-LP-CC-XX	21.0W	120-277	50/60	100	7.0	18.0	24.0	875	21.0W	On	Off	Off	Off
						24.0	36.0	580		Off	On	Off	Off
						36.0	42.0	500		Off	Off	On	Off
						42.0	48.0	435		Off	Off	Off	On

LEMDC-7-LP-CC & LEMDC-10-LP-CC& LEMDC-21-LP-CC



Battery Pack Dimensions - 7/10W



Battery Pack Dimensions - 21W

