

The LED-60 provides a dependable, low-energy solution to accommodate virtually any indoor application. With its rugged design and versatility, the LED-60 offers a perfect solution.

Model: \_\_\_\_\_ Date: \_\_\_\_\_  
 Accessories: \_\_\_\_\_  
 Job Name: \_\_\_\_\_ Type: \_\_\_\_\_

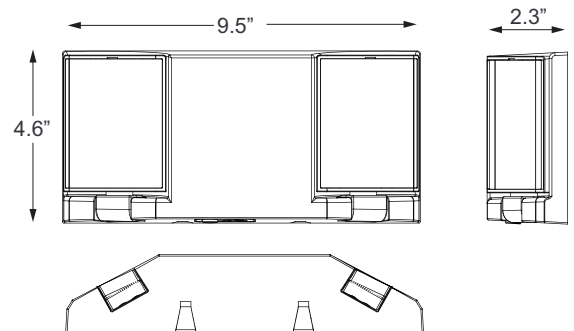
### FEATURES & BENEFITS

- Each fully adjustable lamp head contains eight LED configurations
- Rugged, injection-molded UL 94 5VA flame-retardant, high-temperature thermoplastic housing
- UL Listed 90 minute emergency run time, 24 hour recharge time
- Universal J-box mounting
- Suitable for Damp Locations



### SPECIFICATIONS

- Illumination:** Fully adjustable 1W LED lamps
- Housing:** UL 94 5VA flame retardant thermoplastic
- Input:** 120/277VAC Dual Primary, 60Hz
- Battery:** Maintenance-free NiCad battery
- Operating Temp:** 0°C to 40°C (32°F to 104°F)
- Run Time:** UL Listed 90 minute emergency run time, 24 hour recharge time
- Mounting:** Wall or ceiling with universal mounting pattern and keyhole slots
- Finishes:** Black or White
- Certifications:** UL 924 Listed, meets or exceeds NEC requirements and NFPA 101
- Warranty:** Any component that fails due to a manufacturing defect is guaranteed for five years with a separate five year prorated warranty on the battery. The warranty does not cover physical damage, abuse or instances of uncontrollable natural forces. See the full Exitronix warranty document for detailed information.



### ORDERING INFORMATION Example: LED-60-BL

Series	Finish	Accessories <sup>1</sup> (Field Installed)
LED-60	BLANK = White	WG-S = Wire Guard (Back Mount)
	BL = Black	WPV-2 = Wet Location/Vandal Guard (Back Mount)
<b>Notes</b>		XG-90 = Poly Guard (Back Mount)

<sup>1</sup> Order as separate line item

## CONSTRUCTION

The LED-60 is a precision-molded unit with lamp housings constructed of UV-stable UL 924 V-0 flame-retardant, corrosion-proof thermoplastic. Units resist denting, peeling, scratching and corrosion. Not recommended for outdoor use. Tool-less access provided for easy maintenance, universal J-box mounting pattern and keyhole slots provided for simple installation.

## ILLUMINATION

Illumination is accomplished utilizing high-intensity, long-life LEDs and consumes only 1W nominal power per head. LEDs provide excellent illumination while maximizing energy efficiency. LEDs are a maintenance-free solution, providing up to 100,000 hours of use without failure.

## ELECTRICAL

### Input

Dual-voltage input 120 or 277VAC @ 60Hz

### Nickel Cadmium Battery – NiCad

Exitronix nickel cadmium batteries are maintenance-free with a life expectancy of 15 years. Nickel cadmium batteries offer high discharge rates and continue to perform in a vast temperature range from 0°C to 40°C (32°F to 104°F). NiCad technology provides long-lasting, safe and reliable performance by utilizing the jelly roll design and allows a NiCad cell to deliver a much higher maximum current than an equivalent size alternative battery. As a relatively larger area of the electrode is in contact with the active material in each cell, the internal resistance for an equivalent sized NiCad cell is lower which increases the maximum current that can be delivered.

## Emergency

The LED-60 will operate for a minimum of 90 minutes during a loss of power with a 24 hour maximum recharge time for the battery.

## Solid-State Transfer

The unit features a solid-state switching transistor which eliminates damaged contacts or mechanical failures associated with relays. The switching circuit is designed to detect a loss of AC power and automatically energizes the lamps. Upon restoration of the AC voltage, the emergency lamps will switch off and the charger will automatically recharge the battery.

## Test Button

Our easily located test button allows for manual verification of proper operation of the transfer circuit and emergency lamps.

## DAMP LOCATION RATED

Standard Damp Location rating ensures the circuitry within the fixture is protected from humidity and moisture build up. Fixtures with a Damp Location rating cannot be exposed directly to the elements in outdoor locations.

## INSTALLATION

Units are mountable in any orientation, on wall or ceilings. A universal mounting pattern and rear keyhole slots are provided.

## CONFORMANCE TO CODES & STANDARDS

The LED-60 Series is UL Listed and meets or exceeds the following: UL 924, NEC requirements and NFPA 101.

## ON-CENTER SPACING (Multiple units mounted at a typical 7.5 foot height)

Model	# of LED Lamps	3' Path, 6' Corridor	6' Path, 6' Corridor
LED-60	2	13'	10'

Barron assumes no responsibility for local requirements or specific project variables. This is a guideline to be used as a design aid, not as a guarantee of any code compliance.

