

The Exitronix LED-51/52-G3 LED emergency luminaire provides a more complete, compact and powerful light offering with a higher performance than most currently on the market.

The **GUARDIAN G3** remote monitoring and reporting system from Exitronix simplifies code compliance and significantly reduces operating and maintenance costs by offering automated testing, remote monitoring and reporting of emergency fixture status from a centralized location. For standard fixtures without remote monitoring and reporting, [click here](#).

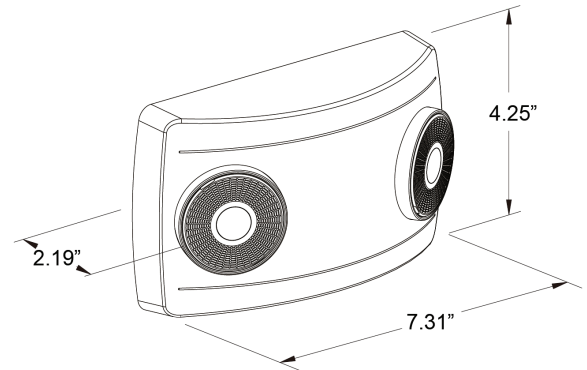
**FEATURES & BENEFITS**

- Includes GUARDIAN G3 self-test/self-diagnostics with remote monitoring and reporting
- Fully adjustable, 1W LED lamp heads (LED-51) or 2W LED lamp heads (LED-52)
- Remote option provides 2W of remote capability (LED-52 only), compatible with [JLED](#), [RL1-WP](#) and [RL52](#) remote lamps
- UL 924 Listed for Damp Locations

**SPECIFICATIONS**

- Illumination:** LED-51 standard with 1W LED lamp heads (2W total)  
 LED-52 standard with 2W high-performance LED lamp heads (4W total)
- Housing:** UL 94 V-0 flame-retardant, corrosion-resistant thermoplastic
- Input:** Universal 120/277VAC input, 60Hz
- Battery:** Maintenance-free NiCad (LED-51/52-G3) or NiMH (LED-52-G3-R2)
- Operating Temp:** 10°C to 40°C (50°F to 104°F)
- Run Time:** UL Listed 90 minute emergency run time, up to 48 hour recharge time
- Electrical:** Low voltage disconnect, overload disconnect, short circuit disconnect, solid state transfer
- Mounting:** Universal knockout pattern on backplate for ceiling or wall back mount
- Finishes:** Black or White
- Options:** R2 - Remote Capable (2W - LED-52 only), compatible with [JLED](#), [RL1-WP](#) and [RL52](#) remote lamps
- Certifications:** UL 924 Listed, meets or exceeds NEC requirements and NFPA 101
- Warranty:** Any component that fails due to a manufacturing defect is guaranteed for five years with a three year prorated warranty on the battery. The warranty does not cover physical damage, abuse or instances of uncontrollable natural forces. See the full Exitronix warranty document for detailed information. (Terms and conditions apply)

Model: \_\_\_\_\_ Date: \_\_\_\_\_  
 Accessories: \_\_\_\_\_  
 Job Name: \_\_\_\_\_ Type: \_\_\_\_\_



**ON-CENTER SPACING** (Using multiple units mounted at a typical 7.5 foot height, 85/50/20 reflectance)

Model	# of LED Lamps	3' Path, 6' Corridor	6' Path, 6' Corridor
LED-51	2	18'	17'
LED-52	2	39'	30'

**ORDERING INFORMATION** Example: LED-52-WH-G3-R2 For standard fixtures without remote monitoring and reporting, [click here](#).

Series	Finish	Self-test/Self-diagnostics	Options(Factory Installed)
LED-51 = 1W Lamps	BL = Black	G3 <sup>1</sup> = Self-test/Self-diagnostics, Remote Monitoring and Reporting	R2 <sup>3</sup> = Remote Capable (2.0 Watts)
LED-52 = 2W Lamps	WH = White	G3PRO <sup>1,2</sup> - Self-test/Self-diagnostics, Remote Monitoring and Reporting w/Automated Email Notifications	

	Accessories <sup>4</sup> (Field installed, order as separate line item)
	GTWY-PRIMARY - Primary Remote Reporting Gateway
	GTWY-SECONDARY - Secondary Remote Gateway, Extends Range
	ROUTER - Wireless Internet Router
	TAB10 - 10" Tablet, Includes Guardian G3 Software
	TAB12 - 12" Tablet, Includes Guardian G3 Software
	WALLBRKXX - Tablet Wall Bracket (XX = Specify 10" or 12" Tablet)
<b>Notes</b>	WALLBRK-LOCKXX - Locking Wall Bracket (XX = Specify 10" or 12" Tablet)
<sup>1</sup> Requires additional equipment, consult factory for details	STANDBRKXX - Tablet Stand (XX = Specify 10" or 12" Tablet)
<sup>2</sup> Requires internet connection, supplied by facility	STANDBRK-LOCKXX - Locking Tablet Stand (XX = Specify 10" or 12" Tablet)
<sup>3</sup> LED-52 only, includes NiMH battery, compatible with <a href="#">JLED</a> , <a href="#">RL1-WP</a> and <a href="#">RL52</a> remote lamps	WG-S = Wire Guard (Back Mount)
<sup>4</sup> Order as separate line item	XG-1 = Polycarbonate Guard (Back Mount)

## ELECTRICAL RATINGS

Model	Battery	Brownout	Low Voltage Disconnect	Overload Disconnect	Short Circuit Disconnect	Solid State Transfer	Input				Output		
							VAC	Hz	mA	W	Lamps	Lumens	Remote Capability
LED-51-XX-G3	NiCad 3.6V 800mAh	N/A	Yes	Yes	Yes	Yes	120/277	60	58/72	0.4/0.5	2 x 1W	160 lm	N/A
LED-52-XX-G3	2 x NiCad 3.6V 800mAh	N/A	Yes	Yes	Yes	Yes	120/277	60	58/72	0.4/0.5	2 x 1.5W	270 lm	N/A
LED-52-XX-G3-R2	2 x NiMH 3.6V 1500mAh	N/A	Yes	Yes	Yes	Yes	120/277	60	90/105	0.6/0.8	2 x 1.5W	270 lm	3.6V 2W

## CONSTRUCTION

Precision-molded unit and lamp housings constructed of UL 94 V-0 flame-retardant, corrosion-resistant thermoplastic. Units resist denting, peeling, scratching and corrosion. Tool-less access provided for easy maintenance.

## ILLUMINATION

LED-51-G3 units have two (2) fully-adjustable 1W LED lamps with 16' on-center spacing.

LED-52-G3 units have two (2) fully-adjustable 2W LED lamps with 30' on-center spacing.

## ELECTRICAL

### Input

Universal input 120/277VAC @ 60Hz

### Nickel Cadmium Battery (NiCad - LED-51/52-G3)

Nickel cadmium batteries are maintenance-free.

### Nickel Metal Hydride (NiMH - LED-52-G3-R2 Only)

Nickel metal hydride batteries are maintenance-free.

### Emergency

The LED-51/52 will operate for a minimum of 90 minutes during a loss of power with an up to 48 hours maximum recharge time for the battery.

### Test Button

Our test button is easy to locate and allows for manual verification of proper operation of the transfer circuit and emergency lamps.

### Damp Location Rated

Damp Location Rated fixture that is normally or periodically subject to condensation of moisture in, on or adjacent to, and includes partially protected locations.

## INSTALLATION

A universal J-box mounting pattern is provided for wall or ceiling mounting.

## GUARDIAN G3 Self-test/Self-diagnostics, Remote Monitoring and Reporting

The circuit continuously monitors the operating condition of the AC power, battery supply voltage and charging circuit.

The purpose of this option is to provide visual signaling in response to a fault at the unit equipment battery and/or battery charger. If a failure is detected, visual status will occur immediately via the dual color LED. Refer to instruction manual for detailed information.

The circuit also monitors the transfer circuit as well as performing automatic code compliance testing.

The GUARDIAN G3 remote monitoring and reporting system provides wireless communication between emergency fixtures, enabling maintenance personnel to maintain and test emergency lighting equipment from a central location. System requires additional equipment and setup, consult factory for more information.

## GUARDIAN G3PRO Self-test/Self-diagnostics, Remote Monitoring and Reporting with Automated Email Notifications

The G3PRO model has the features of the standard G3 but adds automated email notifications of fixture status reports (requires internet connection, supplied by facility).

## OPTIONS

### Remote Capable (Option: R2 - available with LED-52 only)

The R2 option provides an additional 2W of remote capability, compatible with [JLED](#), [RL1-WP](#) and [RL52](#) remote lamps.

## CONFORMANCE TO CODES & STANDARDS

The LED-51/52 Series is UL Listed for Damp Locations and meets or exceeds the following: UL 924, NEC requirements and NFPA 101.